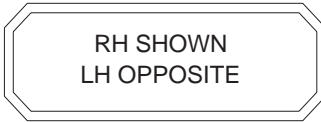
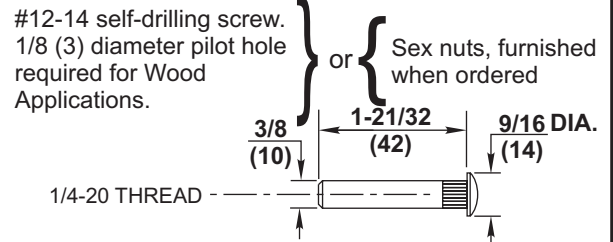


MOUNTING INFORMATION

Sex nuts or through bolts are required for wood and plastic covered composite doors, and any type of door without reinforcements and recommended for wood core and metal clad (Kalamein) type doors.



MOUNTING SCREW SPECIFICATIONS
ARM AND QUIK-INSTALL™ BRACKET

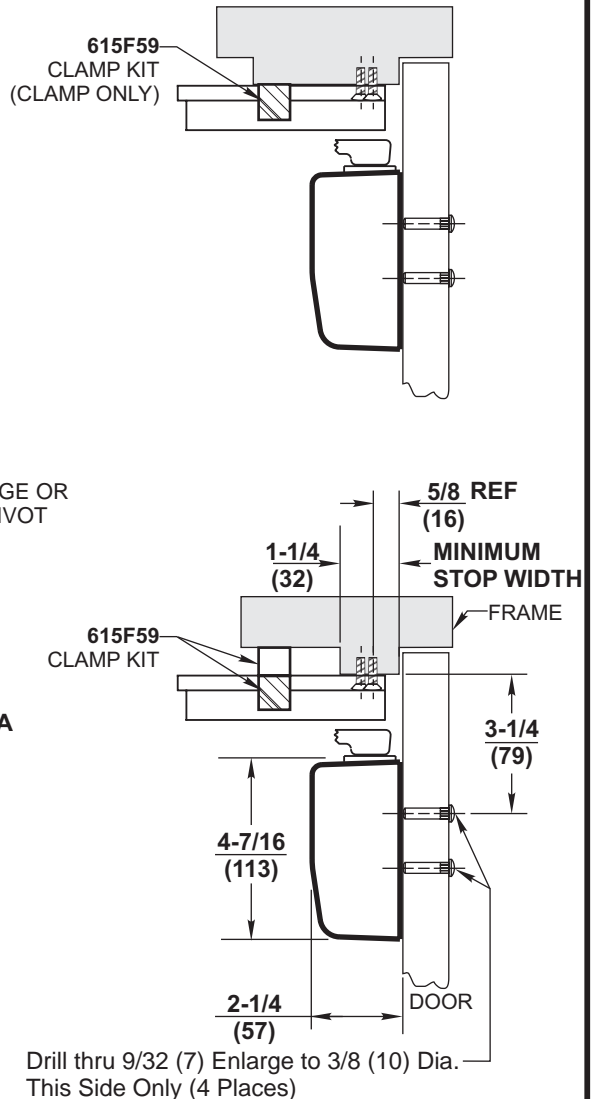
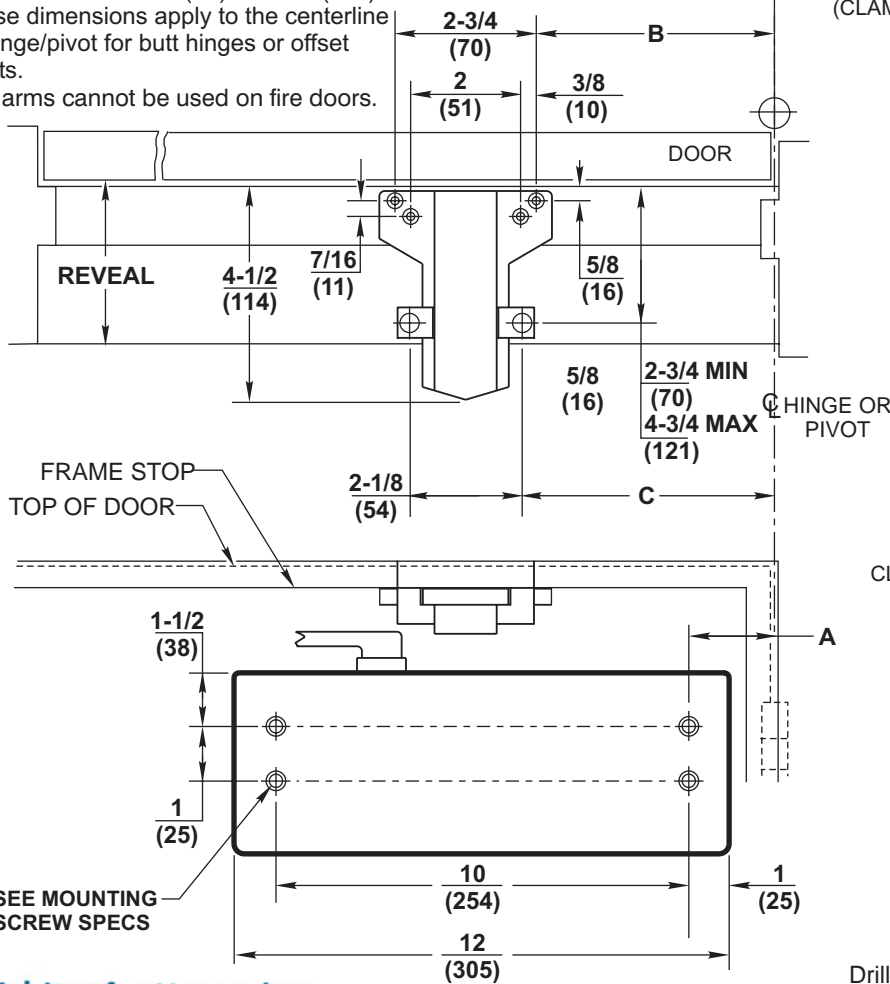


CAUTION: Closer To Be Installed In A True Horizontal Position To Ensure Proper Closer Performance.

Opening	DOORS 28" TO 32"			DOORS 33" TO 41"			DOORS 42" TO 48"				
	HOLD OPEN	DEAD STOP		Dim. A	Dim. B	Dim. C	Dim. A	Dim. B	Dim. C		
				615F52 NHO ARM (A11) 615F51 HO ARM (A12)	615F54 NHO ARM (A11) 615F53 HO ARM (A12)	615F56 NHO ARM (A11) 615F55 HO ARM (A12)					
85°	90°		5-3/4 (146)	9-3/4 (248)	10-1/16 (256)	8-1/8 (206)	11-7/8 (302)	12-3/16 (310)	10-1/4 (260)	14-1/4 (362)	14-9/16 (370)
90°	95°		5-1/4 (133)	9-1/4 (235)	9-9/16 (243)	7-5/8 (194)	11-3/8 (289)	11-11/16 (297)	9-3/4 (248)	13-3/4 (349)	14-1/16 (357)
95°	100°		4-3/4 (121)	8-3/4 (222)	9-1/16 (230)	7-1/8 (181)	10-7/8 (276)	11-3/16 (284)	9-1/8 (232)	13-1/8 (333)	13-7/16 (341)
100°	105°		4-3/8 (111)	8-3/8 (213)	8-11/16 (221)	6-5/8 (168)	10-3/8 (264)	10-11/16 (271)	8-1/2 (216)	12-1/2 (318)	12-13/16 (325)
105°	110°		4 (102)	8 (203)	8-5/16 (211)	6-1/4 (159)	10 (254)	10-5/16 (262)	8 (203)	12 (305)	12-5/16 (313)
110°	115°		3-3/4 (95)	7-3/4 (197)	8-1/16 (205)	6 (152)	9-3/4 (248)	10-1/16 (256)	7-5/8 (194)	11-5/8 (295)	11-15/16 (303)

NOTES:

- Dimensions given in inches and (mm).
- Minimum Top Rail: 5 (127).
- Frame Reveals 1-7/8 (48) to 4-5/8 (117)4
- These dimensions apply to the centerline of hinge/pivot for butt hinges or offset pivots.
- A12 arms cannot be used on fire doors.



RESPONSIBILITY
Door and Frame Manufacturers are responsible for providing adequate construction or reinforcements for proper installation of hardware shown. All architectural builders hardware must be installed on properly reinforced doors and frames, regardless of the type, material, or method of construction.

DC8210 Series x A11/A12 x 615F59

A11 or A12 Push Side Parallel Arm Mounted Surface Door Closer with 615F59 Clamp Kit



ASSA ABLOY

www.corbinrusswin.com

Do Not Scale Drawing

Supersedes _____ Dr. _____ App. _____

Date 04-08 Template Number T31062