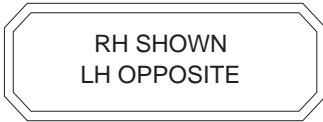
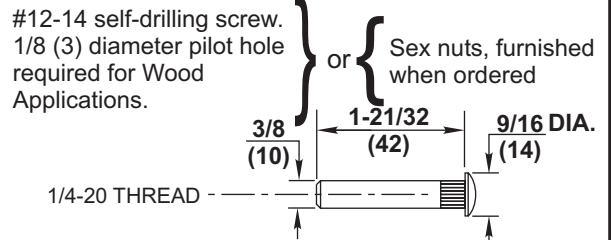


**MOUNTING INFORMATION**

Sex nuts or through bolts are required for wood and plastic covered composite doors, and any type of door without reinforcements and recommended for wood core and metal clad (Kalamein) type doors.

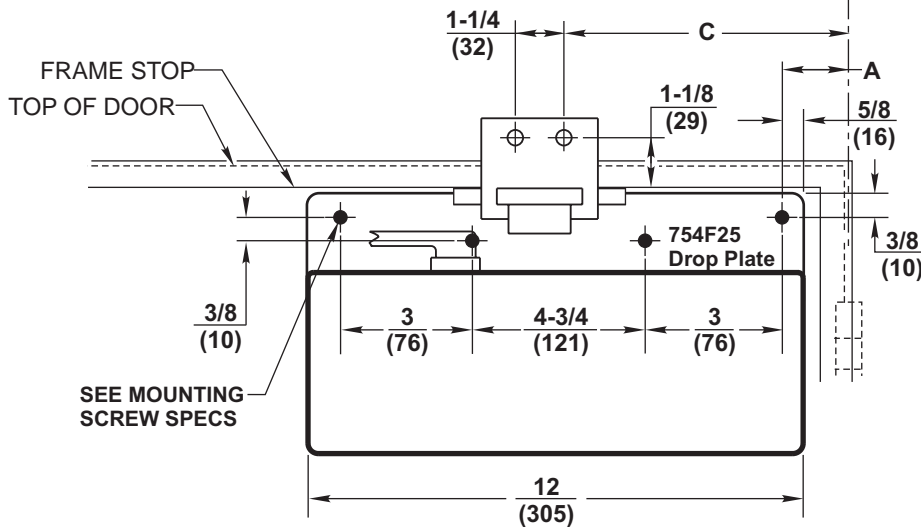
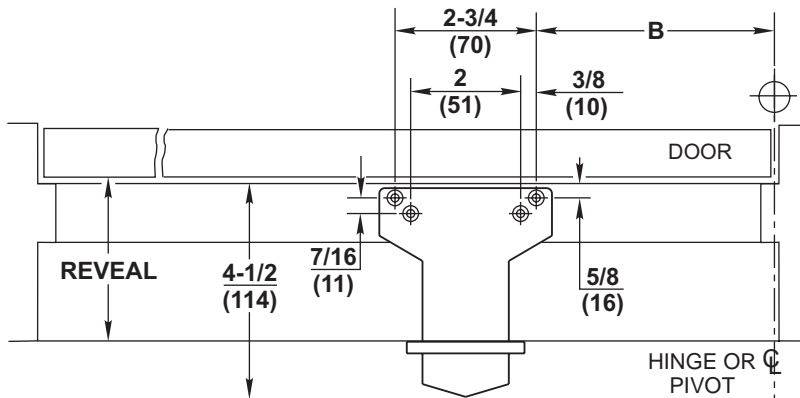


**MOUNTING SCREW SPECIFICATIONS**  
ARM AND QUIK-INSTALL™ BRACKET



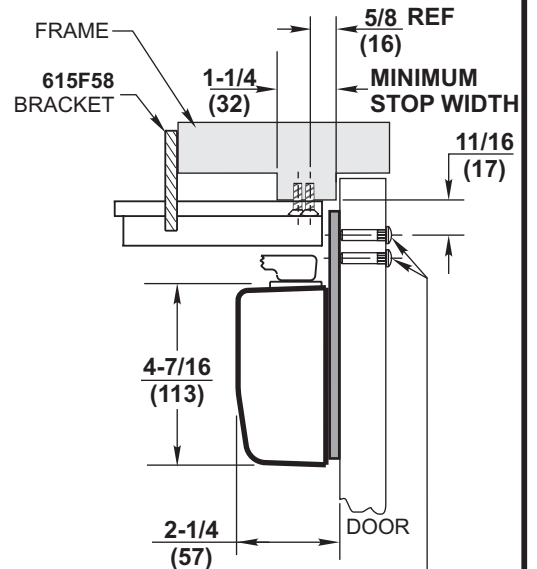
**CAUTION:** Closer To Be Installed In A True Horizontal Position To Ensure Proper Closer Performance.

Opening		DOORS 28" TO 32" 615F52 NHO ARM (A11) 615F51 HO ARM (A12)			DOORS 33" TO 41" 615F54 NHO ARM (A11) 615F53 HO ARM (A12)			DOORS 42" TO 48" 615F56 NHO ARM (A11) 615F55 HO ARM (A12)		
HOLD OPEN	DEAD STOP	Dim. A	Dim. B	Dim. C	Dim. A	Dim. B	Dim. C	Dim. A	Dim. B	Dim. C
85°	90°	5-3/8 (137)	9-3/4 (248)	10-1/2 (267)	7-3/4 (197)	11-7/8 (302)	12-5/8 (321)	9-7/8 (251)	14-1/4 (362)	15 (381)
90°	95°	4-7/8 (124)	9-1/4 (235)	10 (254)	7-1/4 (184)	11-3/8 (289)	12-1/8 (308)	9-3/8 (238)	13-3/4 (349)	14-1/2 (368)
95°	100°	4-3/8 (111)	8-3/4 (222)	9-1/2 (241)	6-3/4 (172)	10-7/8 (276)	11-5/8 (295)	8-3/4 (222)	13-1/8 (333)	13-7/8 (352)
100°	105°	4 (102)	8-3/8 (213)	9-1/8 (232)	6-1/4 (159)	10-3/8 (264)	11-1/8 (283)	8-1/8 (206)	12-1/2 (318)	13-1/4 (337)
105°	110°	3-5/8 (92)	8 (203)	8-3/4 (222)	5-7/8 (150)	10 (254)	10-3/4 (273)	7-5/8 (194)	12 (305)	12-3/4 (324)
110°	115°	3-3/8 (86)	7-3/4 (197)	8-1/2 (216)	5-5/8 (143)	9-3/4 (248)	10-1/2 (267)	7-1/4 (184)	11-5/8 (295)	12-3/8 (314)



**NOTES:**

1. Dimensions given in inches and (mm).
2. Minimum Top Rail: 2 (51).
3. Frame Reveals 1-7/8 (48) to 4-5/8 (117)4
4. These dimensions apply to the centerline of hinge/pivot for butt hinges or offset pivots.
5. This template cannot be used on a rabbet mounting.
6. A12 arms cannot be used on fire doors.



Drill thru 9/32 (7) Enlarge to 3/8 (10) Dia. This Side Only (4 Places)



**RESPONSIBILITY**

Door and Frame Manufacturers are responsible for providing adequate construction or reinforcements for proper installation of hardware shown. All architectural builders hardware must be installed on properly reinforced doors and frames, regardless of the type, material, or method of construction.

DC8210 Series x A11/A12 x 754F25

A11 or A12 Push Side Parallel Arm Mounted Surface Door Closer with Standard Reinforcing Bracket 615F58 and 754F25 Drop Plate



ASSA ABLOY

www.corbinrusswin.com

Do Not Scale Drawing

Supersedes	Dr.	App.
Date 04-08	Template Number	T31061