

**MOUNTING INFORMATION**

Sex nuts or through bolts are required for wood and plastic covered composite doors, and any type of door without reinforcements and recommended for wood core and metal clad (Kalamein) type doors.

RH SHOWN  
LH OPPOSITE

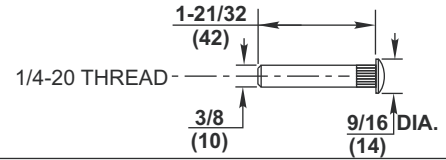
**CAUTION:** Closer To Be Installed In A True Horizontal Position To Ensure Proper Closer Performance.

**NOTES:**

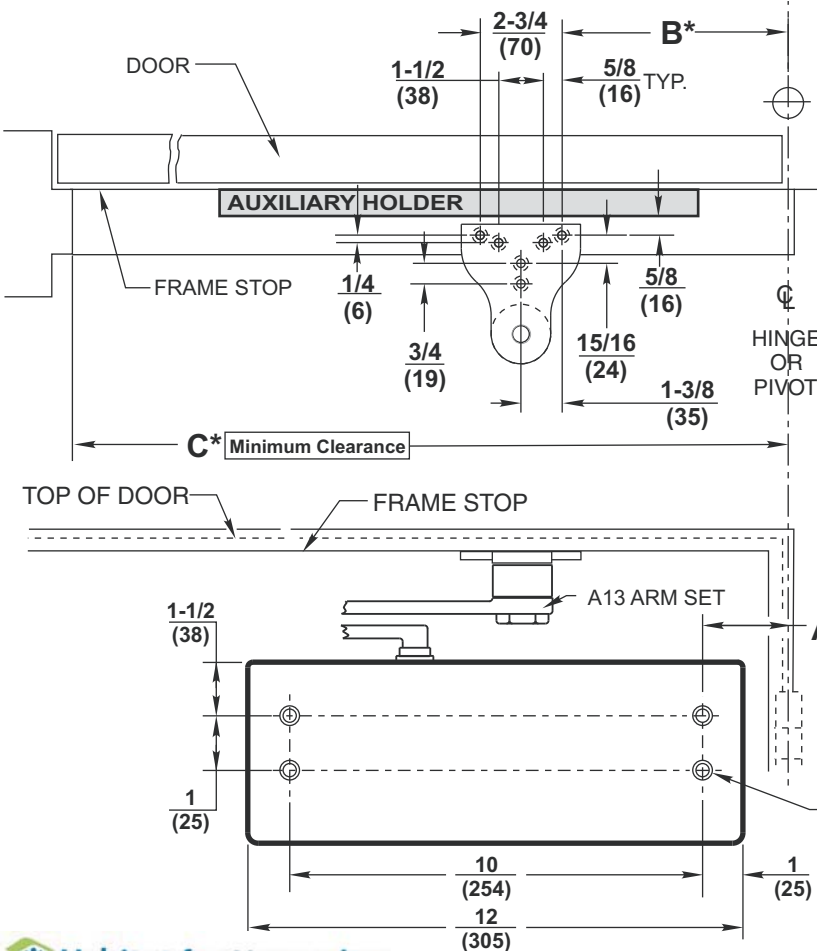
- Dimensions "A" & "B" apply to centerline of hinge/pivot for butt hinges, offset hinges, and center hung pivots.
- Dimensions given in inches and (mm).
- Minimum Top Rail: 6-1/2 (165)
- To obtain extra closing force, add 4 (102) to dimensions marked by asterisk (\*). This will limit degree of opening to 90° to 95° depending on arm adjustment.

**MOUNTING SCREW SPECIFICATIONS**  
M83 OFFSET BRACKET & QUIK-INSTALL™ BRACKET

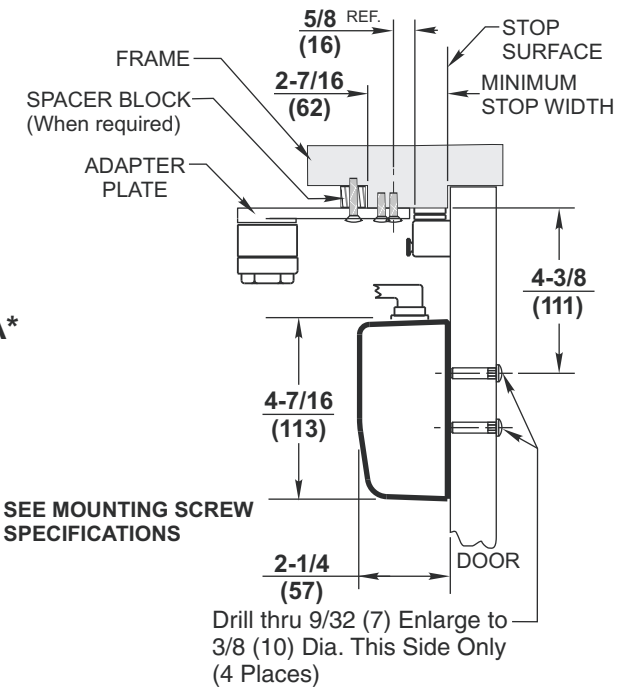
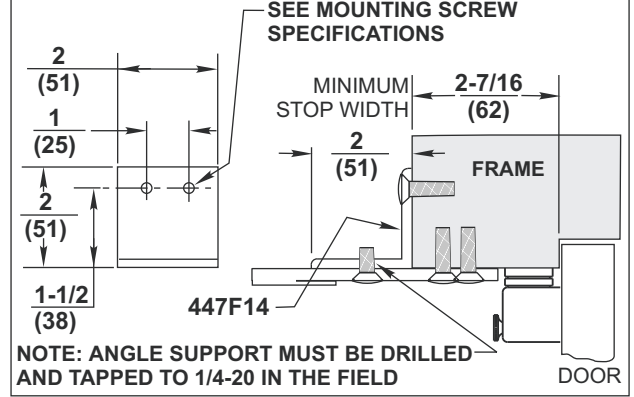
#12-14 self-drilling screw.  
1/8 (3) diameter pilot hole required for Wood Applications. } or { Sex nuts, furnished when ordered



MAXIMUM OPENING	A	B	C	Application
90°	7-1/4 (184mm)	11 (279mm)	27 (686mm)	NON A.D.A.
180°	3-1/4 (83mm)	7 (178mm)	23 (584mm)	



**M85 OPTION 447F14 ANGLE SUPPORT BRACKET**



**RESPONSIBILITY**  
DOOR AND FRAME MANUFACTURERS ARE RESPONSIBLE FOR PROVIDING ADEQUATE CONSTRUCTION OR REINFORCEMENTS FOR PROPER INSTALLATION OF HARDWARE SHOWN. ALL ARCHITECTURAL BUILDERS HARDWARE MUST BE INSTALLED ON PROPERLY REINFORCED DOORS AND FRAMES, REGARDLESS OF TYPE, MATERIAL, OR METHOD OF CONSTRUCTION.

DC8210 Series x A13  
Surface Door Closer  
Parallel Arm Mounting  
By A13 Special Spacer Arm  
for Use With Auxiliary Stops

**Corbin Russwin**  
**ASSA ABLOY**  
www.corbinrusswin.com

SUPERSEDES	T31039	DO NOT SCALE DRAWING
TEMPLATE NUMBER	T31039-1	DATE 03-11