

MOUNTING INFORMATION


Sex nuts or through bolts are required for wood and plastic covered composite doors, and any type of door without reinforcements and recommended for wood core and metal clad (Kalamein) type doors.

RH SHOWN
LH OPPOSITE

CAUTION: Closer To Be Installed In A True Horizontal Position To Ensure Proper Closer Performance.

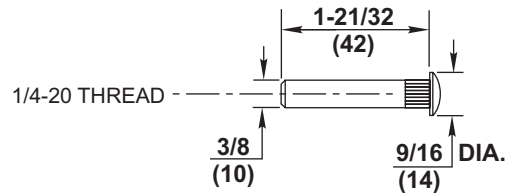
NOTES:

- Dimensions "A" & "B" apply to centerline of hinge/pivot for butt hinges, offset pivots, or center pivots.
- Dimensions given in inches and (mm).
- Minimum Top Rail: 5 (127)
- Auxiliary door stop required, by others.

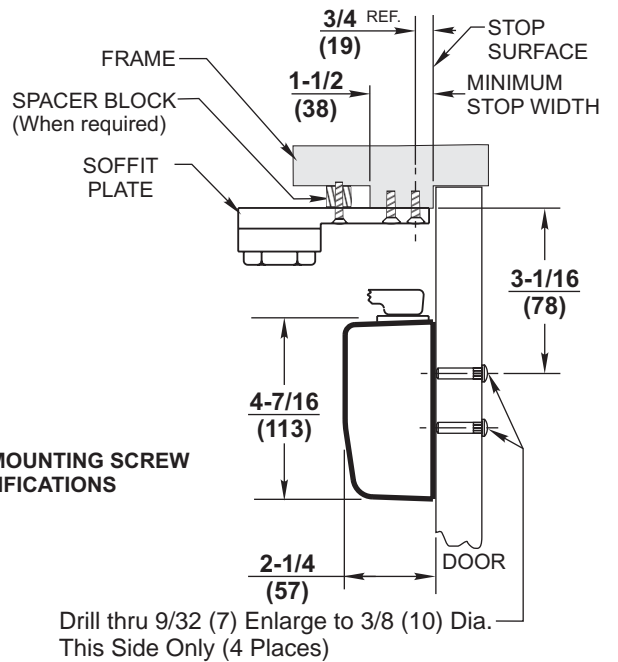
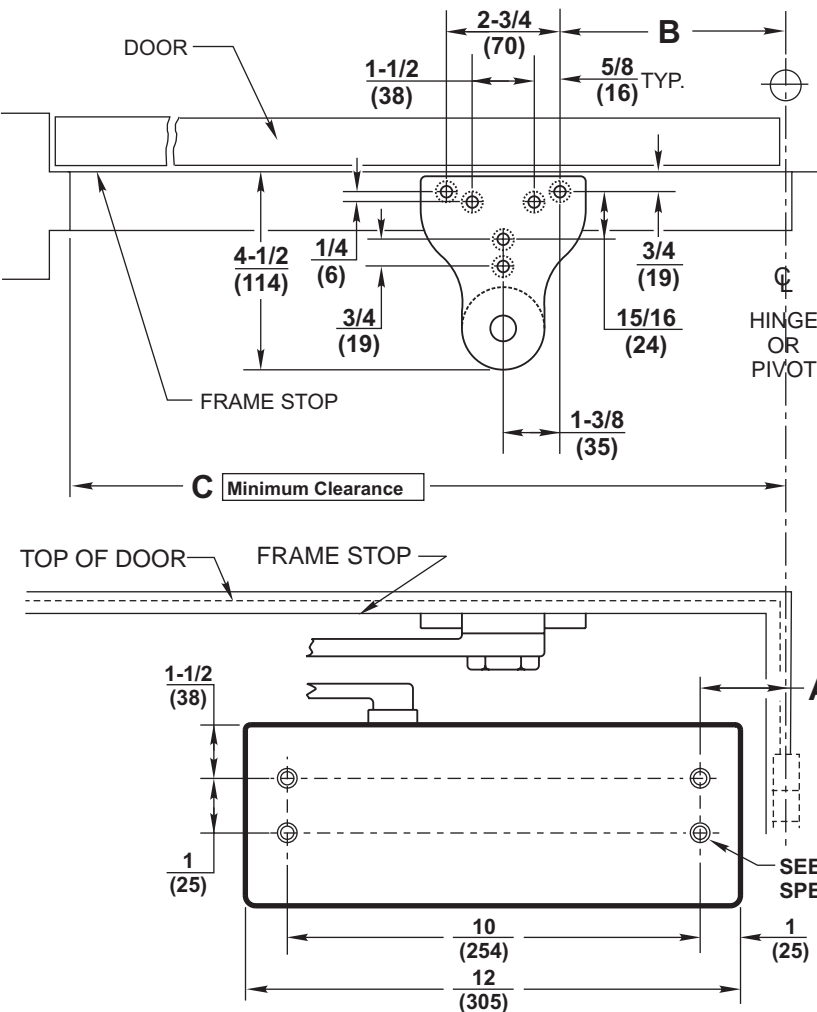
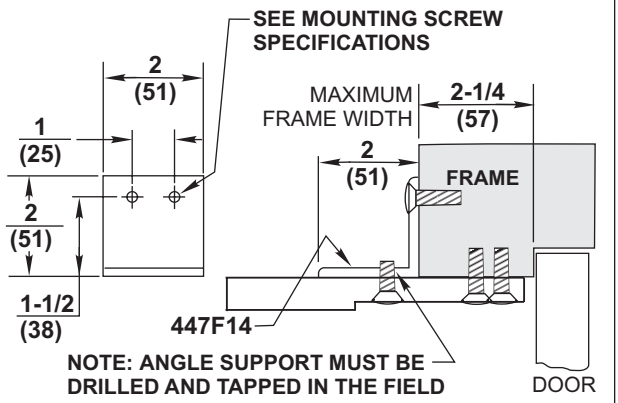
MAXIMUM OPENING	Application	A Quick Install™ Bracket	B Soffit Bracket	C Clearance
90°	NON A.D.A.	7-7/8 (200)	11-5/8 (295)	27-3/4 (705)
180°		3-7/8 (98)	7-5/8 (194)	23-5/8 (600)

MOUNTING SCREW SPECIFICATIONS
ARM AND QUIK-INSTALL™ BRACKET

#12-14 self-drilling screw.
1/8 (3) diameter pilot hole } or { Sex nuts, furnished required for Wood Applications. when ordered



M85 OPTION 447F14 ANGLE SUPPORT BRACKET



RESPONSIBILITY

Door and Frame Manufacturers are responsible for providing adequate construction or reinforcements for proper installation of hardware shown. All architectural builders hardware must be installed on properly reinforced doors and frames, regardless of the type, material, or method of construction.

DC8210 Series x A3

Parallel Arm Mounted Surface Door Closer



ASSA ABLOY

www.corbinrusswin.com

Do Not Scale Drawing

Supersedes _____ Dr. _____ App. _____

Date 04-08 Template Number T31055