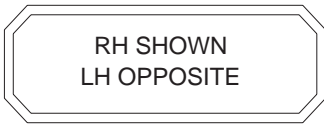


MOUNTING INFORMATION

Sex nuts or through bolts are required for wood and plastic covered composite doors, and any type of door without reinforcements and recommended for wood core and metal clad (Kalamein) type doors.



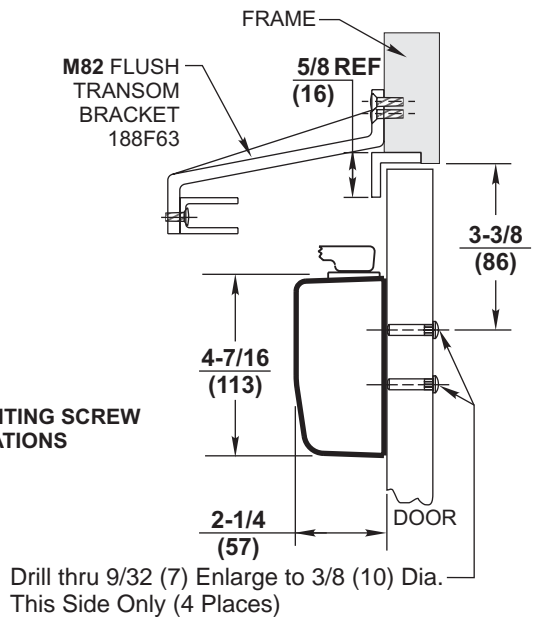
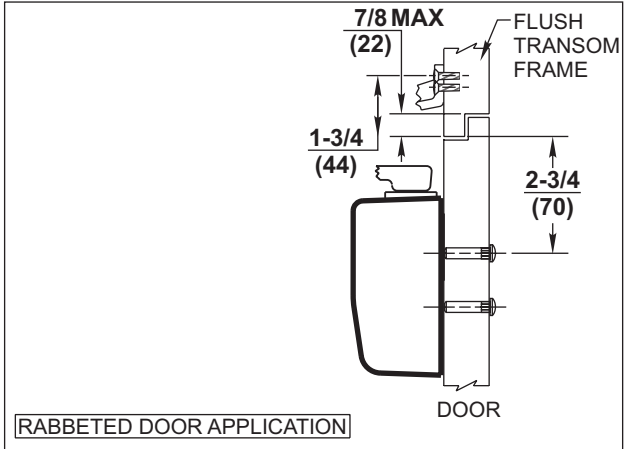
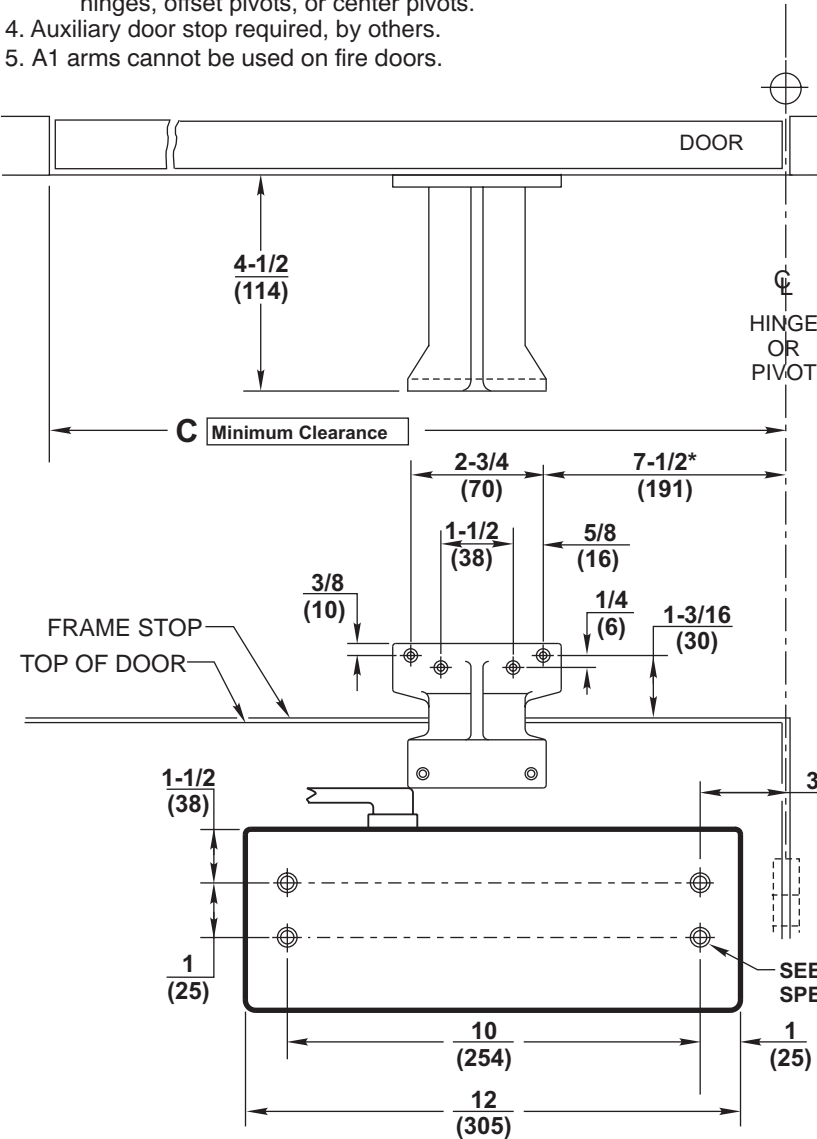
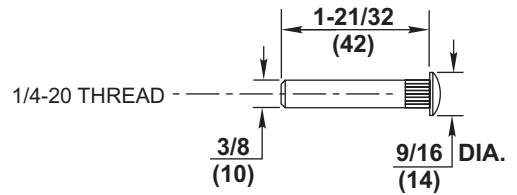
CAUTION: Closer To Be Installed In A True Horizontal Position To Ensure Proper Closer Performance.

NOTES:

1. Dimensions given in inches and (mm).
2. Minimum Top Rail: 5 (127).
3. To obtain extra closing force, add 3 (76) to dimensions marked by an asterisk (*).
 - This will limit degree of opening to 110° depending on arm adjustment.
 - This setup will not meet ADA.
 - These dimensions apply to the centerline of hinge/pivot for butt hinges, offset pivots, or center pivots.
4. Auxiliary door stop required, by others.
5. A1 arms cannot be used on fire doors.

MOUNTING SCREW SPECIFICATIONS
ARM AND QUIK-INSTALL™ BRACKET

#12-14 self-drilling screw.
1/8 (3) diameter pilot hole } or { Sex nuts, furnished when ordered Applications.



Drill thru 9/32 (7) Enlarge to 3/8 (10) Dia. This Side Only (4 Places)



RESPONSIBILITY

Door and Frame Manufacturers are responsible for providing adequate construction or reinforcements for proper installation of hardware shown. All architectural builders hardware must be installed on properly reinforced doors and frames, regardless of the type, material, or method of construction.

DC8210 Series x M82

Surface Door Closer,
Parallel Arm Mounting
by Flush Transom Bracket
(with or without A1)



ASSA ABLOY

www.corbinrusswin.com

Do Not Scale Drawing

Supersedes _____ Dr. _____ App. _____

Date 04-08 Template Number T31059