

**MOUNTING INFORMATION**

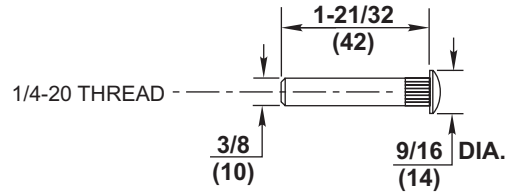
Sex nuts or through bolts are required for wood and plastic covered composite doors, and any type of door without reinforcements and recommended for wood core and metal clad (Kalamein) type doors.

RH SHOWN  
LH OPPOSITE

**CAUTION:** Closer To Be Installed In A True Horizontal Position To Ensure Proper Closer Performance.

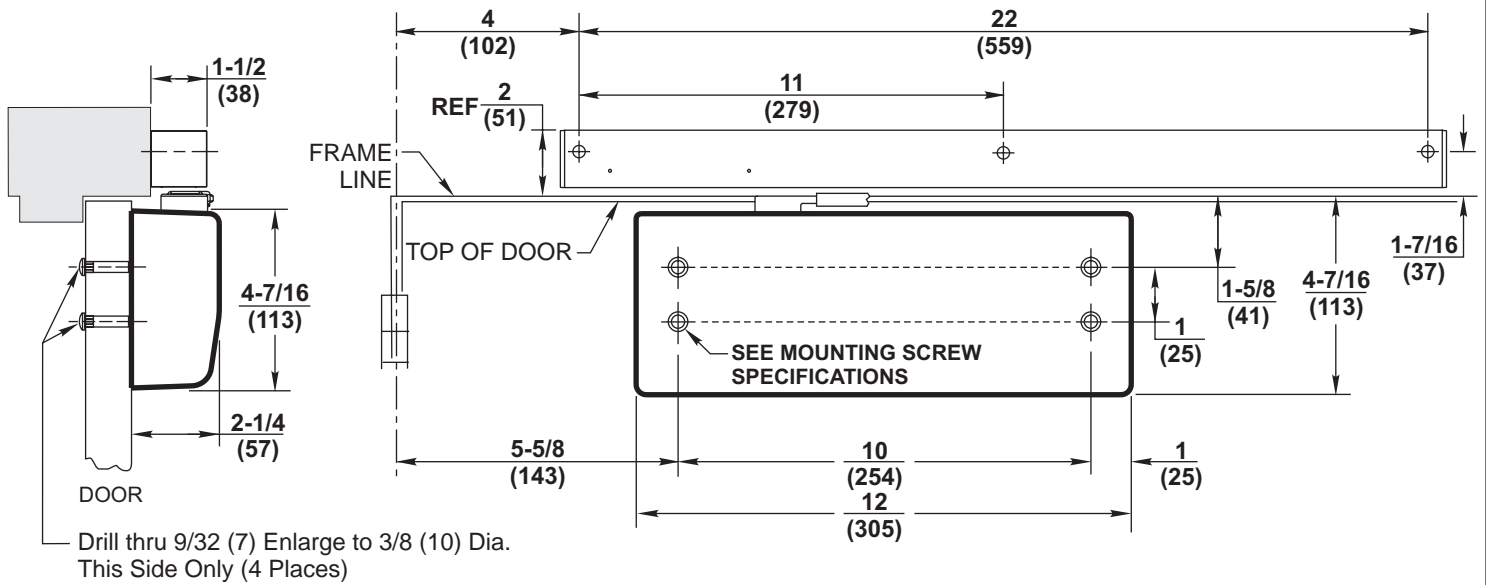
**MOUNTING SCREW SPECIFICATIONS**  
ARM AND QUIK-INSTALL™ BRACKET

#12-14 self-drilling screw.  
1/8 (3) diameter pilot hole } or { Sex nuts, furnished when ordered  
Applications.



**NOTES:**

1. Dimensions given in inches and (mm).
2. Minimum Top Rail: 3 (76)
3. Minimum clearance required over door: 2-1/16 (52)
4. Hold Open tracks cannot be used on fire doors.
5. Door stop / hold open position (A1) adjustable from 75° to 110° of door opening.
6. Door will travel additional 5° to dead stop.



**RESPONSIBILITY**

Door and Frame Manufacturers are responsible for providing adequate construction or reinforcements for proper installation of hardware shown. All architectural builders hardware must be installed on properly reinforced doors and frames, regardless of the type, material, or method of construction.

**DC8230 Series**

**Pull Side Mounted Track  
Surface Door Closer  
(with or without A1)**



**ASSA ABLOY**

www.corbinrusswin.com

Do Not Scale Drawing

Supersedes \_\_\_\_\_ Dr. \_\_\_\_\_ App. \_\_\_\_\_

Date 04-08 Template Number T31105