

MOUNTING INFORMATION

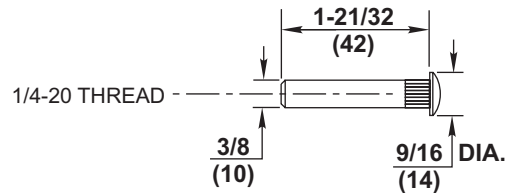
Sex nuts or through bolts are required for wood and plastic covered composite doors, and any type of door without reinforcements and recommended for wood core and metal clad (Kalamein) type doors.

LH SHOWN
RH OPPOSITE

CAUTION: Closer To Be Installed In A True Horizontal Position To Ensure Proper Closer Performance.

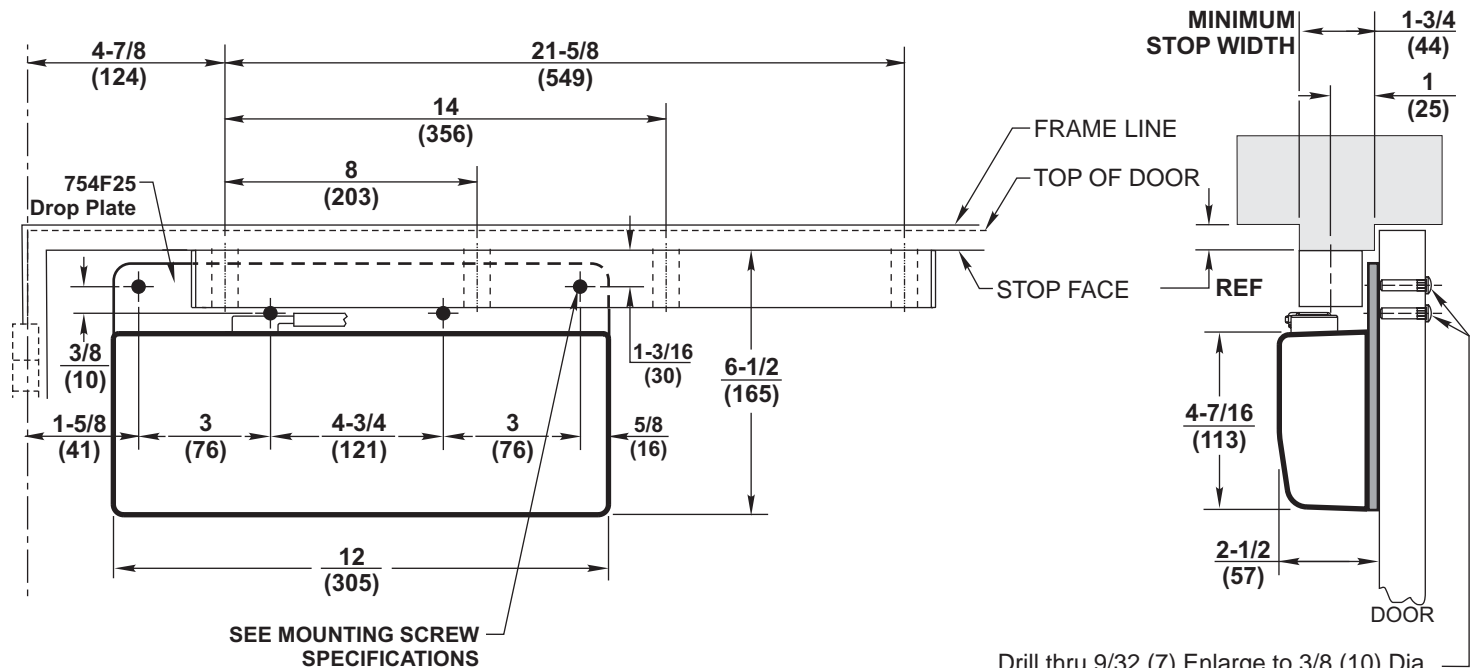
MOUNTING SCREW SPECIFICATIONS
ARM AND QUIK-INSTALL™ BRACKET

#12-14 self-drilling screw.
1/8 (3) diameter pilot hole } or { Sex nuts, furnished
required for Wood } when ordered
Applications.



NOTES:

1. Dimensions given in inches and (mm).
2. Minimum Top Rail: 2-1/2 (64).
3. Hold Open tracks cannot be used on fire doors.
4. Door stop / hold open position (A1) adjustable from 70° to 110° of door opening.
5. Door will travel additional 5° to dead stop.



Drill thru 9/32 (7) Enlarge to 3/8 (10) Dia. This Side Only (4 Places)



RESPONSIBILITY

Door and Frame Manufacturers are responsible for providing adequate construction or reinforcements for proper installation of hardware shown. All architectural builders hardware must be installed on properly reinforced doors and frames, regardless of the type, material, or method of construction.

DC8240 Series X 754F25

Push Side Mounted Track
Surface Door Closer
with 754F25 Drop Plate
(with or without A1)



ASSA ABLOY

www.corbinrusswin.com

Do Not Scale Drawing

Supersedes _____ Dr. _____ App. _____

Date 04-08 Template Number T31108