

## DC8000 Cast Iron Door Closer Product Overview

- Strong and durable
- Heavy-duty design for high use environments
- Full compliment of standard and heavy duty arm options

### Non-Handed Closer

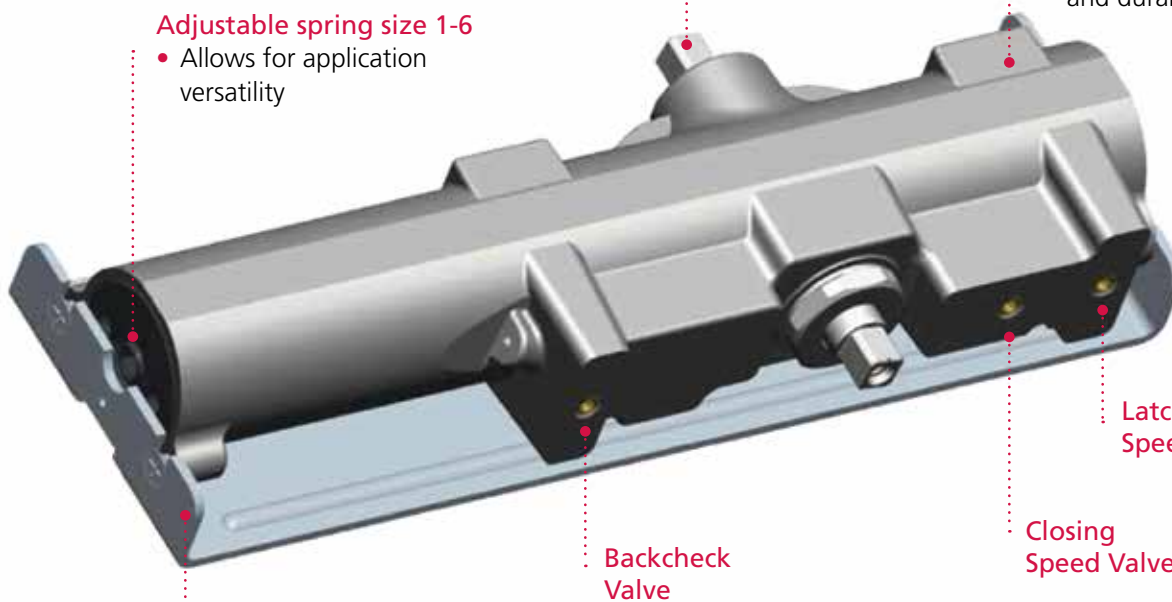
- Double sided pinion meets multiple mounting demands

### Closer Body

- ANSI/BHMA Grade 1 certified
- One-piece design
- Cast iron for strength and durability

### Adjustable spring size 1-6

- Allows for application versatility



### Closer Mounting Bracket

- Reduces installation time
- Ensure correct mounting

### Pressure Relief Valves

- Protects doors and frames from abuse while providing safe and reliable operation

### Staked Valves

- Vandal-resistant; reduces the possibility of valve removal

The DC8000 cast iron door closer has a closer mounting bracket, forged standard and heavy duty arms, fully adjustable 1-6 spring and 1-1/2" piston diameter making it ideal for use on high use, high abuse applications. Designed to exceed the highest industry Grade 1 standards, the DC8000 offers exceptional door control and is backed by a 25-year limited warranty.