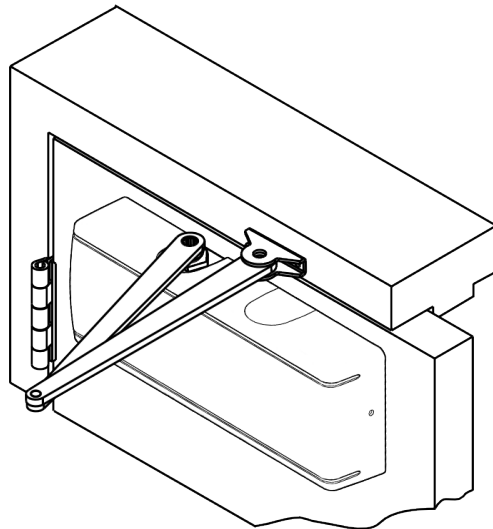


Installation Instructions

DC8200 Series

Universal Door Closer with A10 Heavy Duty Non-Hold Open Regular Arm

DC8200 Series Multi-Sized from 1 through 6



IMPORTANT:

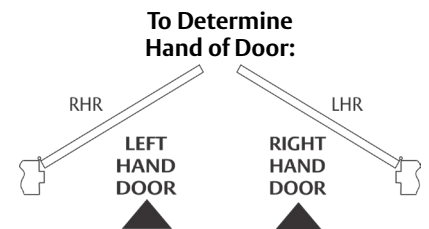
- An improperly installed or incorrectly adjusted door closer may cause **property damage and/or personal injury**; and will void product warranty.
- To avoid personal injury, **DO NOT DISASSEMBLE THIS DOOR CLOSER BODY**.
- Door closers must be securely fastened to a properly reinforced door and frame with fasteners provided.

BEFORE INSTALLING:

- The Americans with Disabilities Act (ADA) requires that doors having door closers have an opening force not to exceed 5 lbf. Use standard templating for regular arm and parallel arm applications. Jamb mounted application use the template for 140° door opening to achieve the required opening force.
- The door closer's power size adjustment feature may require adjustment to its lowest setting to comply with ADA opening force guidelines.
- ADA compliant closer: DC8200.

Size of Door & Door Closer				
Type of Installation	Interior	Exterior In-swinging	Recommended Closer Size	**Max. Opening Force (lbs/f)
Regular Arm	2'4"	—	1	8
	3'0"	—	2	14
	3'6"	2'6"	3	16
	4'0"	3'0"	4	22
	4'6"	3'6"	5	24
	5'0"	4'0"	6	26

**These forces are for standard templating with bearing type hinges and do not account for pressure differentials and drafts.



⚠ WARNING

This product can expose you to lead which is known to the state of California to cause cancer and birth defects or other reproductive harm. For more information go to www.P65warnings.ca.gov.

⚠ WARNING

Attention Installer: Improper installation may result in damage to the product and void the factory warranty.

For installation assistance contact Corbin Russwin
1-800-543-3658 • techsupport.corbinrusswin@assaabloy.com

Copyright © 2006, 2009, 2022, ASSA ABLOY Access and Egress Hardware Group, Inc. All rights reserved. Reproduction in whole or in part without the express written permission of ASSA ABLOY Access and Egress Hardware Group, Inc. is prohibited.

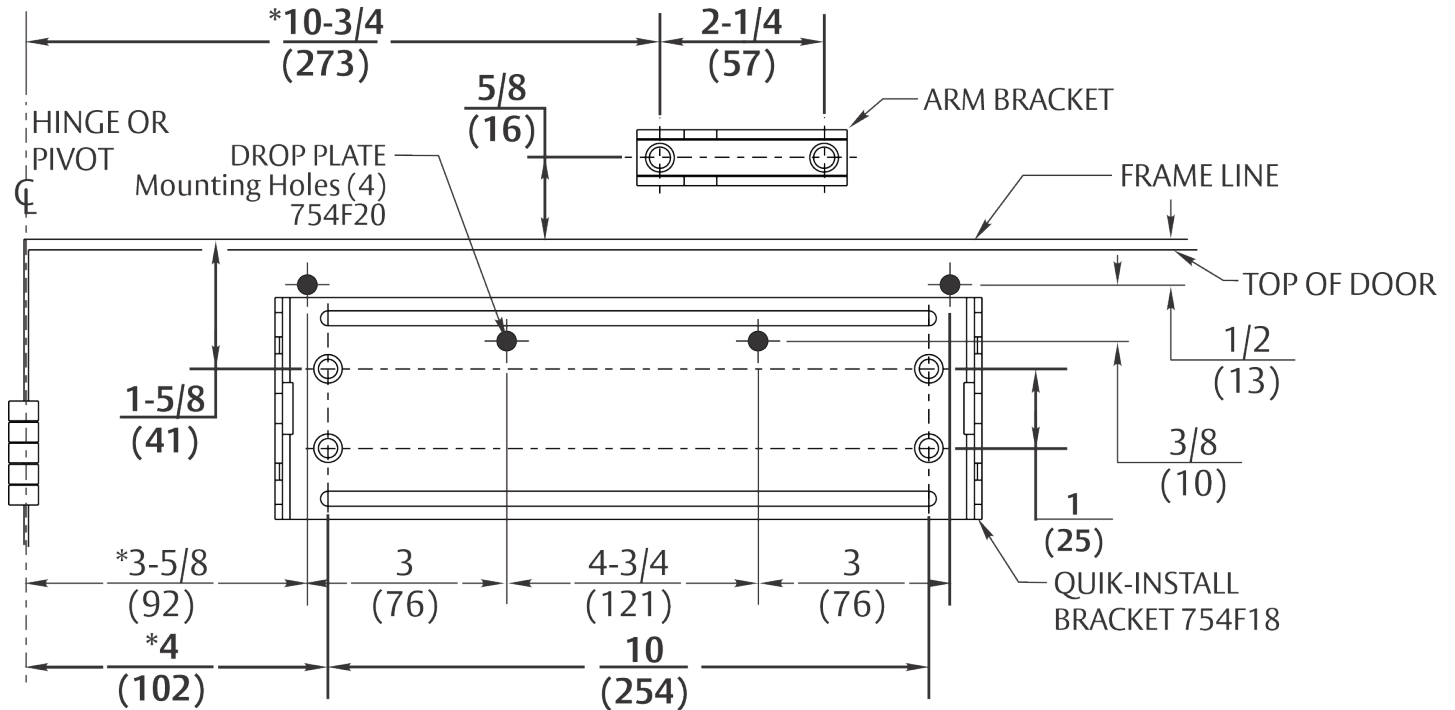
80-9380-8004-152 Rev 3 12/22

Experience a safer
and more open world

Installation Instructions

A. Mark door and Jamb (for QUIK-INSTALL® bracket and arm bracket)

For vertical dimensions, use "Mounting dimensions Chart".
1-5/8" MINIMUM CLEARANCE REQUIRED OVER DOOR

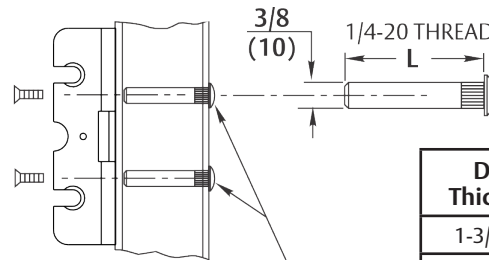


*To obtain extra closing force add 3 (77) to dimensions marked.
This will limit degree of door opening to 130°.

Mounting Screw Specifications

Arm and QUIK-INSTALL Bracket

#12-14 self-drilling screw
1/8 (3) diameter pilot hole
required for Wood Applications } OR { Sex nuts, furnished
when ordered



Drill thru 9/32 (7) Enlarge to 3/8 (10) Dia. This Side Only (4 Places)

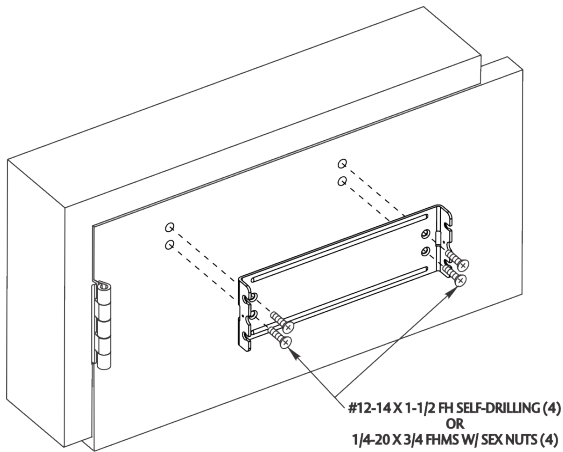
Door Thickness	Sex Nut Length "L"
1-3/8 (35)	1-9/32 (33)
1-3/4 (44) & Over	1-21/32 (42)

NOTES:

- Check hand of door (Refer to page 1)
- Right hand application shown. Left hand opposite.
- Dimensions given in inches (mm). Do not scale drawing.
- Closer must be installed in a true horizontal plane to ensure proper closer performance.
- Door opening (up to 180°) is dependent upon door, frame, wall, and hinge/pivot conditions permitting.
- Maximum Hinge Side Reveal 1/8 (3).

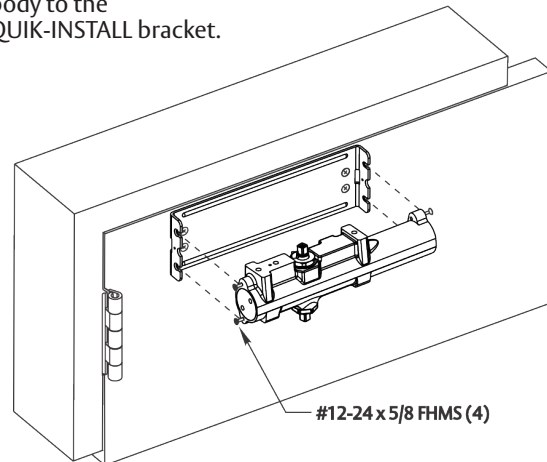
Installation Instructions

B. Mount QUIK-INSTALL Bracket.



C. Mount Closer Body to QUIK-INSTALL Bracket.

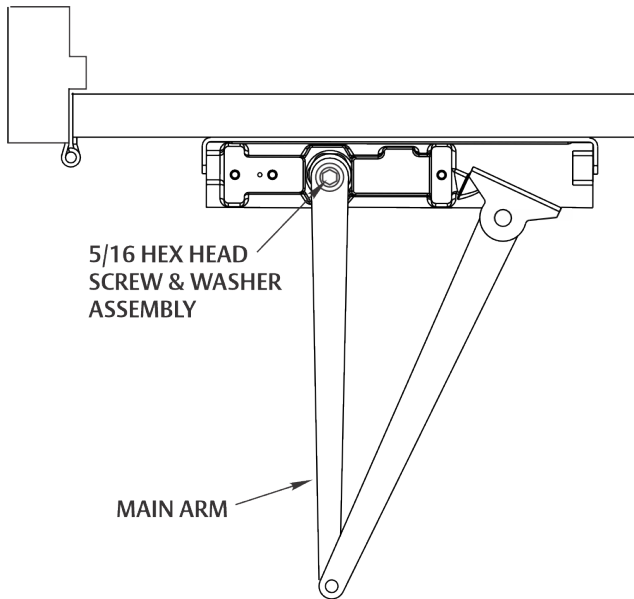
- Start the four (4) mounting screws into the four (4) closer mounting holes.
- Place the closer onto the QUIK-INSTALL bracket with the four (4) mounting screws inserted in the four (4) QUIK-INSTALL bracket slots.
- Tighten the four (4) mounting screws to fasten the closer body to the QUIK-INSTALL bracket.



D. Position arm on closer.

Main arm projects straight out at 90° angle to door.

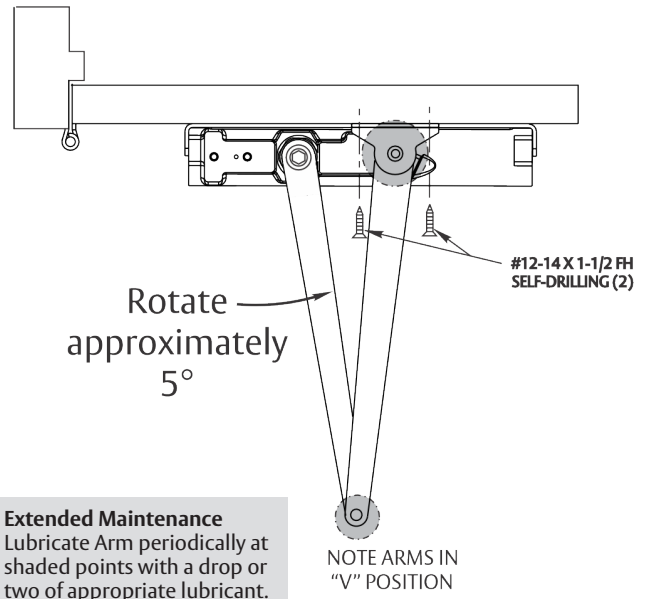
Install and tighten 5/16 Hex Head Arm Screw & Washer assembly.



E. Preload and fasten arm to frame.

Close door, swing arms so that they form a "V" position.

Align holes in arm bracket with pre-drilled holes on frame and install attaching screw.



Extended Maintenance
Lubricate Arm periodically at shaded points with a drop or two of appropriate lubricant.

F. Adjust Closer

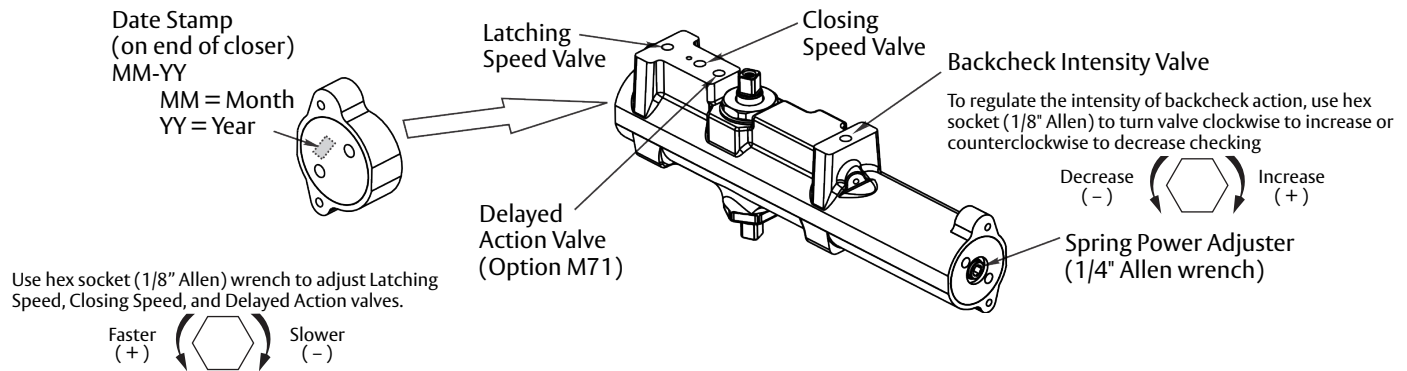
Spring Adjustment Power

Locate spring power adjuster from illustration below.

DC8200 Spring Power Adjustment Chart

- All DC8200 closers are factory set at an approximate Size 3.
- Adjust closer as needed for door size using this chart.
- Readjustment may be required to suit prevailing conditions.

Size of Door			Spring Power Adjustment (No. of Full turns Clockwise)	Approx. Equivalent Closer Size
Interior	Exterior In Swing	Exterior Out Swing		
2' 4" (712)	2' 6" (764)	—	1-5	3
2' 6" (764)	3' 0" (915)	—	5-8	4
3' 0" (915)	3' 6" (1067)	2' 6" (764)	8-13	5
3' 6" (1067)	4' 0" (1219)	3' 0" (915)	13-15	6



Closing Speed Valve (1/8" Allen Wrench Provided)

To adjust speed of door closing from fully open to a position 2" to 5" from closed, turn Closing Speed Valve **CLOCKWISE** to **SLOW** closing, **COUNTERCLOCKWISE** to **SPEED** closing.

Latching Speed Valve (1/8" Allen Wrench Provided)

After closing speed has been obtained, turn latching speed valve **CLOCKWISE** to **SLOW** latching or **COUNTERCLOCKWISE** to **SPEED** latching for last 2" to 5" of door travel.

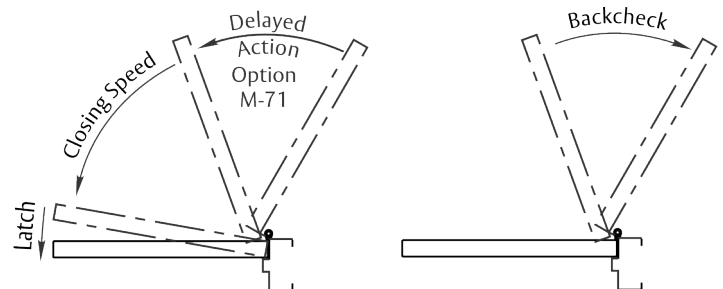
NOTE: Set combination of **CLOSING** and **LATCHING** speeds to between 3 and 7 seconds. Use of door by handicapped, elderly, or small children may require even greater closing time.

Delayed Action Valve (1/8" Allen Wrench Provided)

Turn valve **CLOCKWISE** to **SLOW** closing, **COUNTERCLOCKWISE** to **SPEED** closing. Delayed action may be adjusted from 20 seconds to 90 seconds, depending on degree of door swing. Delay occurs at the beginning of the door closing cycle from fully open down to 70°, where the closing speed valve then begins its control.

Backcheck Intensity Valve

Turn valve **COUNTERCLOCKWISE** to reduce backcheck or **CLOCKWISE** to increase backcheck. (Backcheck should be set to give a soft cushioning action, not a sudden stop.)



Installing Cover

- Slip cover over closer.
- Hold tightly against QUIK-INSTALL Bracket surface.
- Secure on each side with 6-32 x 1/4" PBHMS screws.

Insert is removable.
Place in unused opening.

