

Installation Instructions



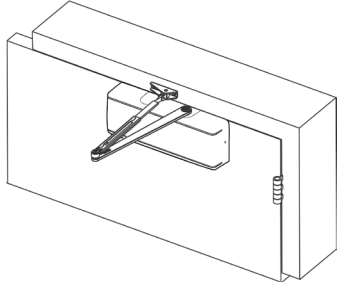
ASSA ABLOY

DC8200 Series

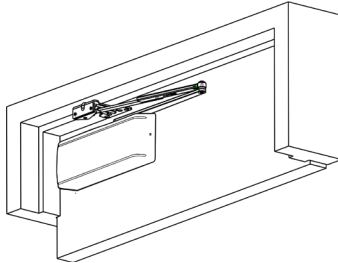
Universal Door Closer DC8210 Tri-Pack Standard

DC8200 Series Multi-Sized from 1 through 6

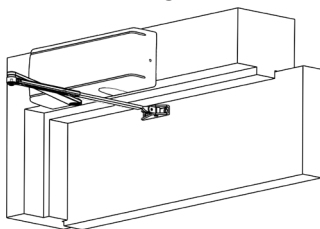
DC8200
Regular Arm
Refer to Pages 2 & 3



DC8210
Parallel Arm
Refer to Pages 4 & 5



DC8220
Jamb Mount
Refer to Pages 6 & 7



IMPORTANT:

- An improperly installed or incorrectly adjusted door closer may cause **property damage and/or personal injury**; and will void product warranty.
- To avoid personal injury, **DO NOT DISASSEMBLE THIS DOOR CLOSER BODY**.
- Door closers must be securely fastened to a properly reinforced door and frame with fasteners provided.
- Door closers with the "A1" HOLD OPEN ARM option are not permitted to be installed in fire door assemblies.

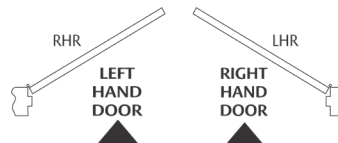
BEFORE INSTALLING:

- The Americans with Disabilities Act (ADA) requires that doors having door closers have an opening force not to exceed 5 lbf. Use standard templating for regular arm and parallel arm applications. Jamb mounted applications use the template for 140° door opening to achieve the required opening force.
- The door closer's power size adjustment feature may require adjustment to its lowest setting to comply with ADA opening force guidelines.
- An auxiliary door stop, by others, is strongly recommended to avoid damage to the door closer and adjacent property.
- Doors should be hung on ball bearing or anti-friction hinges/pivots.
- Door closer must not be installed on the exterior of a door in an exterior wall of a building.
- ADA compliant closers are: DC8200, DC8210, DC8220.

Size of Door & Door Closer					
Type of Installation	Interior	Exterior In-swinging	Exterior Out-swinging	Recommended Closer size	**Max. Opening Force (lbs/f)
Regular & Top Jamb	2'4"	—	—	1	8
	3'0"	—	—	2	14
	3'6"	2'6"	3'0"	3	16
	4'0"	3'0"	3'6"	4	22
	4'6"	3'6"	4'0"	5	24
	5'0"	4'0"	4'6"	6	26
Parallel Arm	2'4"	—	—	1	8
	2'6"	—	—	2	14
	3'0"	—	2'6"	3	16
	3'6"	—	3'0"	4	22
	4'0"	—	3'6"	5	24
	4'6"	—	4'0"	6	26

**These forces are for standard templating with bearing type hinges and do not account for pressure differentials and drafts.

To Determine Hand of Door:



⚠ WARNING

This product can expose you to lead which is known to the state of California to cause cancer and birth defects or other reproductive harm. For more information go to www.P65warnings.ca.gov.

⚠ WARNING

Attention Installer: Improper installation may result in damage to the product and void the factory warranty.

For installation assistance contact Corbin Russwin
1-800-543-3658 • techsupport.corbinrusswin@assaabloy.com

Copyright © 2006, 2009, 2022, ASSA ABLOY Access and Egress Hardware Group, Inc. All rights reserved. Reproduction in whole or in part without the express written permission of ASSA ABLOY Access and Egress Hardware Group, Inc. is prohibited.

80-9380-8000-152 Rev 3 12/22

Experience a safer
and more open world

Approved 2022-12-12

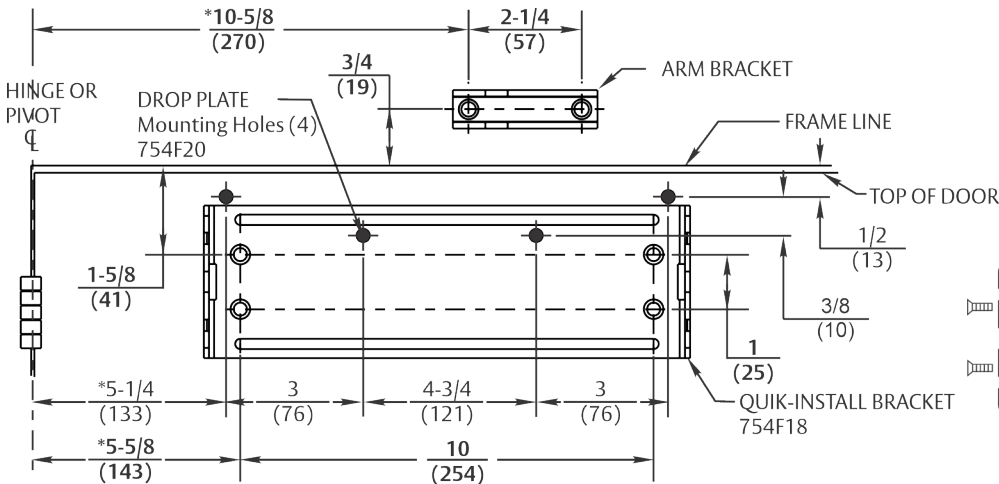
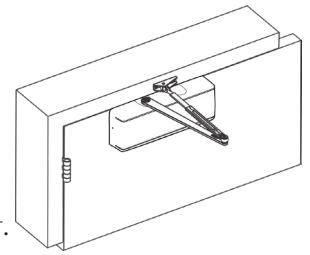
1 DC8200 Regular Arm Installation

A. Template

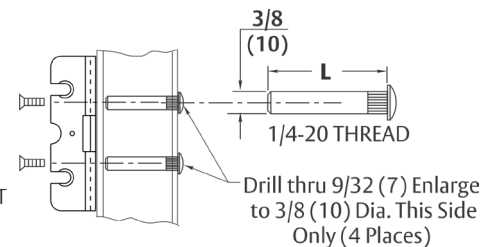
Mark door and jamb (for QUIK-INSTALL® bracket and arm bracket)

If top tail is 3" (76mm) or greater, use the template for the QUIK-INSTALL bracket provided.

If top rail is 1-3/4" (44mm) to 2-15/16" (75mm), use DROP PLATE (754F20) dimensions, denoted by the \blacklozenge .



Door Thickness	Sex Nut Length "L"
1-3/8 (35)	1-9/32 (33)
1-3/4 (44) & over	1-21/32 (42)



* To obtain extra closing force, add 3" (76mm) to dimensions marked. This will limit the degree of door opening to 110°.

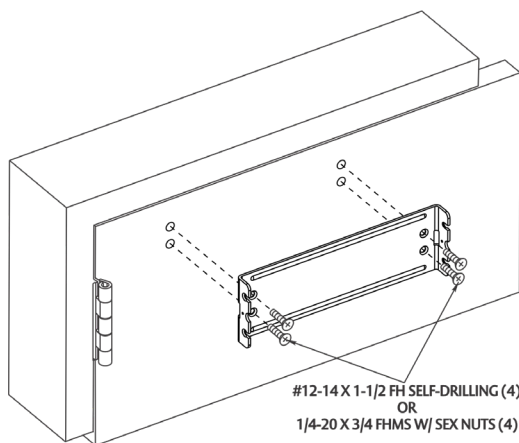
NOTES:

- Check hand of door (Refer to page 1)
- Right hand application shown. Left hand opposite.
- Dimensions given in inches (mm). Do not scale drawing.
- Closer must be installed in a true horizontal plane to ensure proper closer performance.
- Door opening (up to 180°) is dependent upon door, frame, wall, and hinge/pivot conditions permitting.
- Minimum clearance required over door:
 - Non-Hold Open: 1-1/2 (39)
 - Hold Open: 1-11/16 (43)

Mounting Screw Specifications

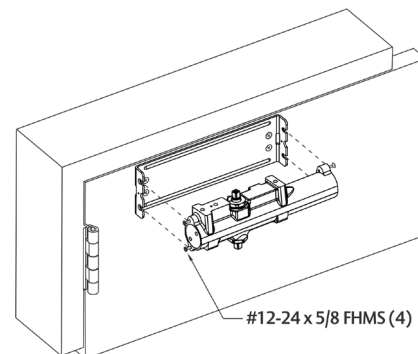
Arm and Closer Bracket
 #12-14 self-drilling screw
 1/8 (3) diameter pilot hole
 required for Wood Applications } OR { Sex nuts, furnished when ordered

B. Mount QUIK-INSTALL Bracket



C. Mount Closer Body to QUIK-INSTALL Bracket

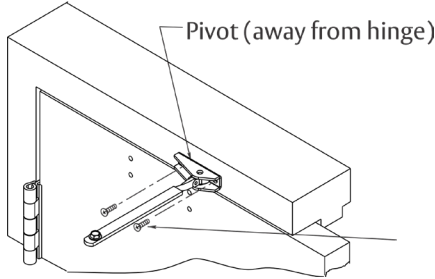
- Start the four (4) mounting screws into the four (4) closer mounting holes.
- Place the closer onto the QUIK-INSTALL bracket with the four (4) mounting screws inserted in the four (4) QUIK-INSTALL bracket slots.
- Tighten the four (4) mounting screws to fasten the closer body to the QUIK-INSTALL bracket.



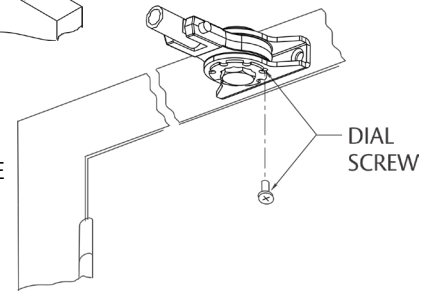
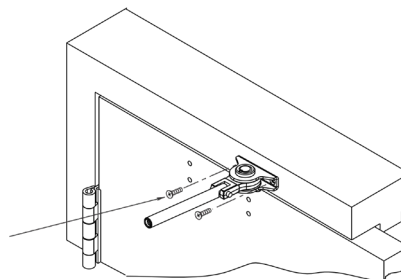
D. Attach Arm Bracket to Frame

Non-Hold Open Arm Only:

Hold Open Arm (A1 Option Only):



#12-14 x 1-1/2" FH Self Drilling (2)



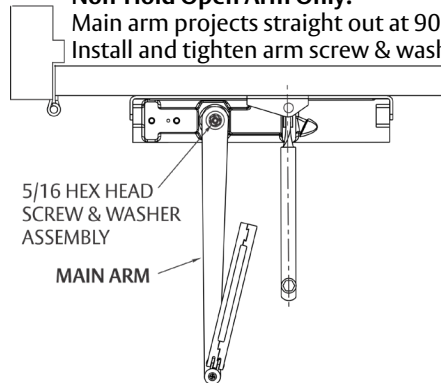
<p>Standard Position: Normal mounting position. Position with pivot point away from hinge.</p> <p>Away from hinge</p>	<p>For Additional 15% Closing Force: Reposition arm mounting bracket so that pivot point is toward hinge.</p> <p>Hinge</p> <p>FOR MAXIMUM POWER</p> <p>FOR REGULAR POWER</p>
----------------------------------------------------------------------------------------------------------------------------------	-----------------------------------------------------------------------------------------------------------------------------------------------------------------------------------------

Hold Open Arm:
Position so that dial screw is on **UNDERSIDE** of bracket.

E. Position Arm on Closer

Non-Hold Open Arm Only:

Main arm projects straight out at 90° angle to door. Install and tighten arm screw & washer assembly.

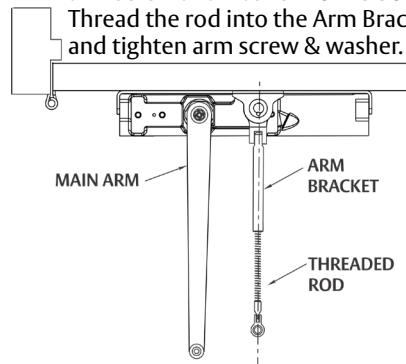


5/16 HEX HEAD SCREW & WASHER ASSEMBLY

MAIN ARM

Hold Open Arm Only:

Main arm projects straight out at 90° angle to door. Remove arm screw and washer from elbow joint and disassemble arm. Thread the rod into the Arm Bracket as shown below. Install and tighten arm screw & washer.



MAIN ARM

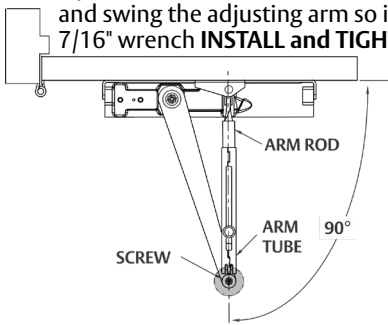
ARM BRACKET

THREADED ROD

F. Preload and Adjust Arm

Non-Hold Open Arm Only:

Open door and slide arm rod into arm loop. Close door and swing the adjusting arm so it is 90° to frame. With 7/16" wrench **INSTALL and TIGHTEN SCREW SECURELY.**



ARM ROD

ARM TUBE

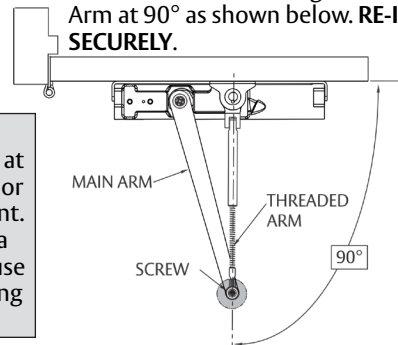
90°

SCREW

Extended Maintenance
Lubricate Arm periodically at shaded points with a drop or two of appropriate lubricant.
NOTE: When lubricating a Hold Open Arm, **DO NOT** use any lubricant on the Holding Surface components.

Hold Open Arm Only:

While door is closed, adjust the Threaded arm in the Arm bracket until the bearing fits back onto elbow joint on the Main Arm at 90° as shown below. **RE-INSTALL AND TIGHTEN SCREW SECURELY.**



MAIN ARM

THREADED ARM

90°

SCREW

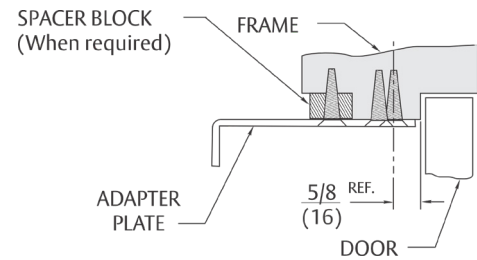
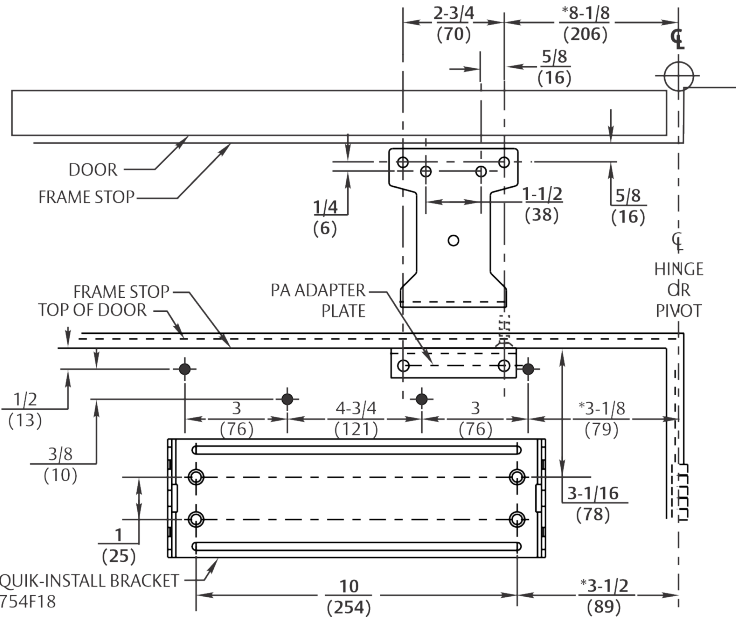
G. Adjust Door Closer: Refer to Page 8

2 DC8210 Parallel Arm Installation

A. Template

Mark door and Jamb (for QUIK-INSTALL® bracket and adapter plate)

If top tail is 5-1/4" (133mm) or greater, use the template for the QUIK-INSTALL bracket provided.
 If top rail is 1-3/4" (44mm) to 5-1/8" (130mm), use DROP PLATE (754F25) dimensions, denoted by the ♦.



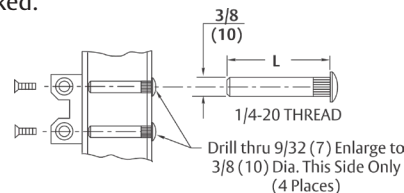
NOTES:

- Check hand of door (Refer to page 1)
- Right hand application shown. Left hand opposite.
- Dimensions given in inches (mm). Do not scale drawing.
- Closer must be installed in a true horizontal plane to ensure proper closer performance.
- Door opening (up to 180°) is dependent upon door, frame, wall, and hinge/pivot conditions permitting.

* To obtain extra closing force, add 3" (76mm) to dimensions marked. This will limit the degree of door opening to 110°.

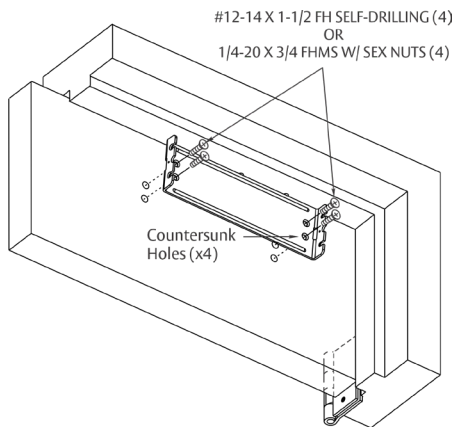
Mounting Screw Specifications
 Arm and Closer Bracket

#12-14 self-drilling screw
 1/8 (3) diameter pilot hole } OR { Sex nuts, furnished when ordered



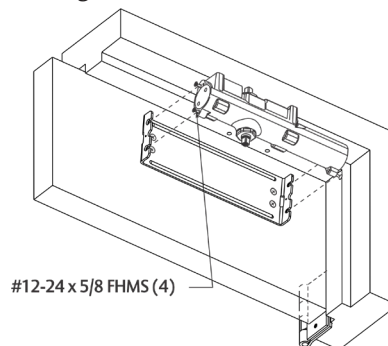
Door Thickness	Sex Nut Length "L"
1-3/8 (35)	1-9/32 (33)
1-3/4 (44) & Over	1-21/32 (42)

B. Mount QUIK-INSTALL Bracket



C. Mount Closer Body to QUIK-INSTALL Bracket

- Start the four (4) mounting screws into the four (4) closer mounting holes.
- Place the closer onto the QUIK-INSTALL bracket with the four (4) mounting screws inserted in the four (4) QUIK-INSTALL bracket slots.
- Tighten the four (4) mounting screws to fasten the closer body to the QUIK-INSTALL bracket.



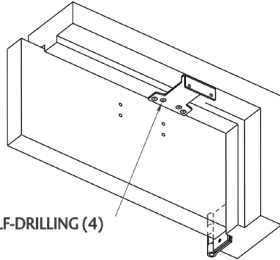
DC8200 Series

Universal Door Closer

Installation Instructions



D. Mount Adapter Plate Bracket on Jamb

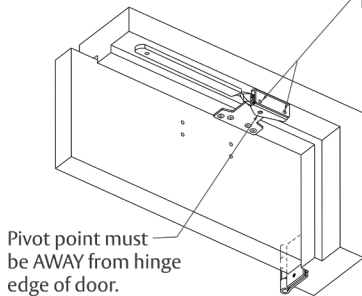


#12-14 X 1-1/2 FH SELF-DRILLING (4)

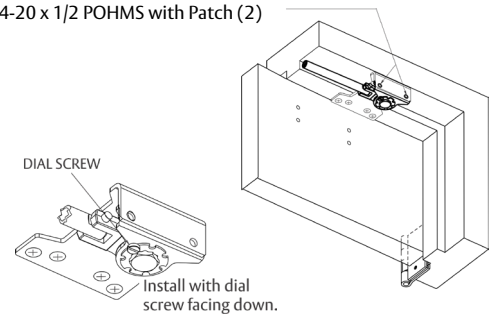
Using holes spotted on soffit or stop in Step A, mount adapter plate bracket.

E. Attach Arm Bracket to Frame

Non-Hold Open Arm Only:



Hold Open Arm (A1 Option Only):



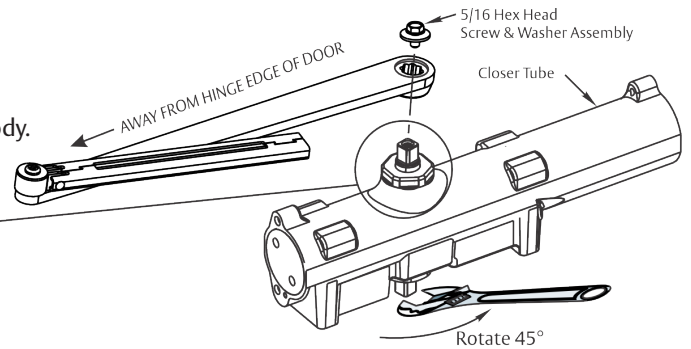
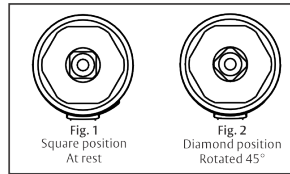
F. Position Arm on Closer

Using hex wrench provided, turn closing speed and latching speed valves clockwise until completely closed. **DO NOT OVER TIGHTEN.**

Using wrench, turn under side of spindle 45° toward the closer tube until it reaches the diamond position (Fig. 2).

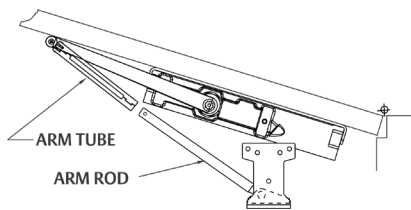
Immediately place arm on spindle so that it is parallel to the closer body.

Install and tighten arm screw and washer assembly. Reopen valves.



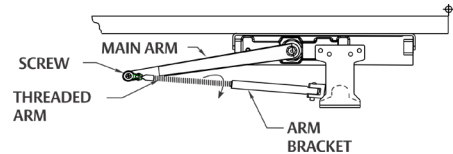
G. Connect and Position Arms

Open door and slide arm rod into arm loop. Close door, swing arms so that they form a "V" position, as in Step H. With 7/16" wrench, **INSTALL AND TIGHTEN SCREW SECURELY.**



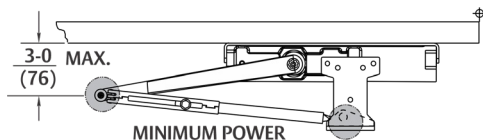
Hold Open Arm Only:

Remove main arm screw from elbow joint and disassemble arm. Thread the rod into the Arm Bracket as shown below. While door is closed, adjust the Threaded Arm in the Arm Bracket until the bearing fits back onto the elbow joint on the Main Arm and forms a "V" as shown below. **RE-INSTALL AND TIGHTEN SCREW SECURELY.**

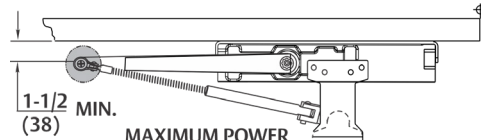


H. Power Adjustment

To increase the power of the closer, re-adjust the arm so it is nearer the door. To decrease power, re-adjust the arm so it is farther away from the door and then secure screw in arm loop (non-hold open) or elbow joint (hold open).



Extended Maintenance
Lubricate Arm periodically at shaded points with a drop or two of appropriate lubricant. **NOTE:** When lubricating a Hold Open Arm, **DO NOT** use any lubricant on the Holding Surface components.



I. Adjust Door Closer: Refer to Page 8

For installation assistance contact Corbin Russwin
1-800-543-3658 • techsupport.corbinrusswin@assaabloy.com

Copyright © 2006, 2009, 2022, ASSA ABLOY Access and Egress Hardware Group, Inc. All rights reserved. Reproduction in whole or in part without the express written permission of ASSA ABLOY Access and Egress Hardware Group, Inc. is prohibited.

80-9380-8000-152 Rev 3 12/22

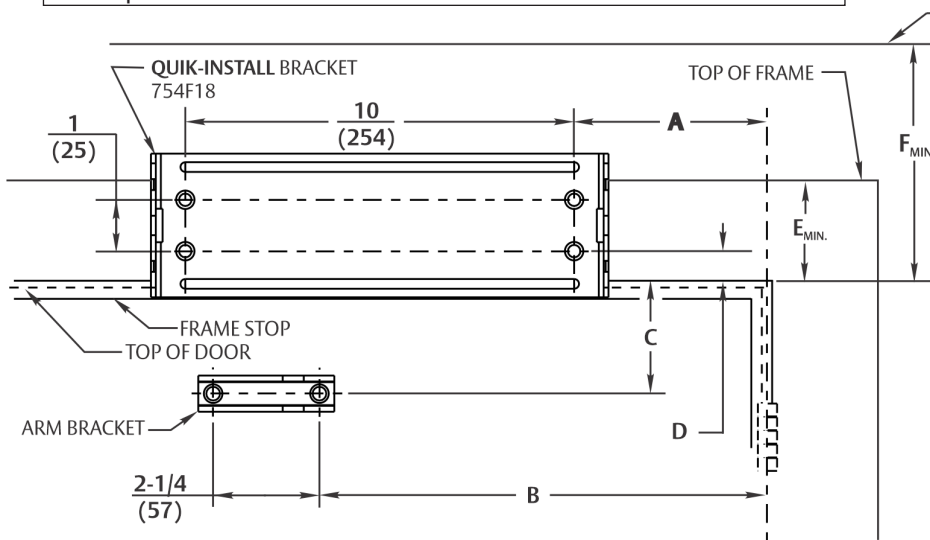
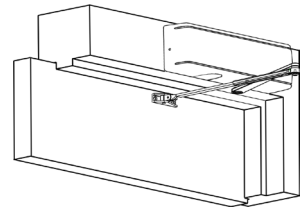
Experience a safer
and more open world

3 DC8220 Jamb Mount Installation

A. Template

Mark door and Jamb (for QUIK-INSTALL® bracket and adapter plate)

DO NOT USE THIS TEMPLATE WITH A DROP PLATE (754F24).
Use the template addendum (80-9380-8009-152) included with 754F24 Drop Plate orders.



Opening Maximum	A	B	Hinge Condition
110°	6-7/8 (175)	14 (356)	Butts, Offset Pivots, and Swing Clear Hinges
140°	5-1/8 (130)	12-1/2 (318)	
180°	3-3/8 (86)	10-1/2 (267)	
140°	5-1/8 (130)	12-3/8 (314)	*Center Hung

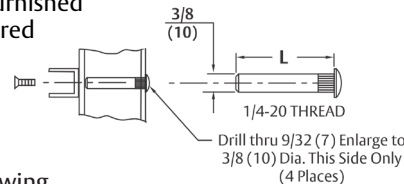
Dimensions "A" and "B" are taken from centerline of hinge as shown and apply to pivot point of swing clear hinges. Offset and center hung pivots.

*Must be single acting door.

Header Width	C	D	E	F
Standard	1-1/2 (38)	3/4 (19)	2-3/8 (60)	4 (102)
Narrow	1-7/8 (48)	3/8 (10)	1-3/4 (45)	3-1/2 (89)

Mounting Screw Specifications

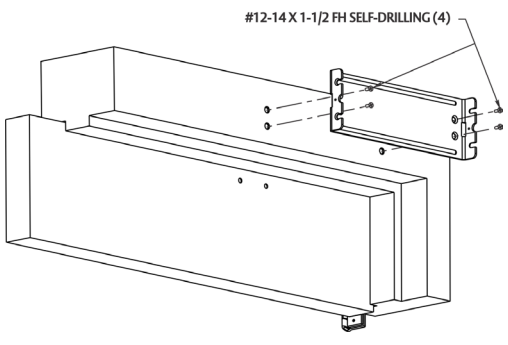
Arm and Closer Bracket
 #12-14 self-drilling screw } OR { Sex nuts, furnished
 1/8 (3) diameter pilot hole } when ordered
 required for Wood Applications



NOTES:

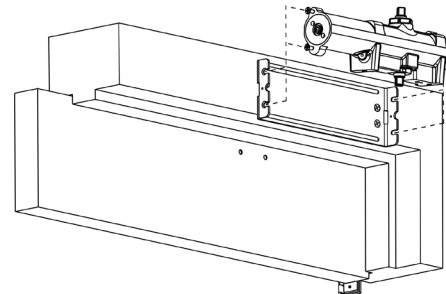
- Check hand of door (Refer to page 1)
- Right hand application shown. Left hand opposite.
- Dimensions given in inches (mm). Do not scale drawing.
- Closer must be installed in a true horizontal plane to ensure proper closer performance.
- All degrees of door opening is dependent upon door, frame, wall, and hinge/pivot conditions permitting.

B. Mount QUIK-INSTALL Bracket to Jamb.



C. Mount Closer Body to QUIK-INSTALL Bracket.

- Start the four (4) mounting screws into the four (4) closer mounting holes.
- Place the closer onto the QUIK-INSTALL bracket with the four (4) mounting screws inserted in the four (4) QUIK-INSTALL bracket slots.
- Tighten the four (4) mounting screws to fasten the closer body to the QUIK-INSTALL bracket.



For installation assistance contact Corbin Russwin
1-800-543-3658 • techsupport.corbinrusswin@assaabloy.com

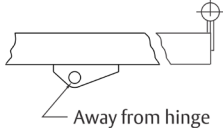
Copyright © 2006, 2009, 2022, ASSA ABLOY Access and Egress Hardware Group, Inc. All rights reserved. Reproduction in whole or in part without the express written permission of ASSA ABLOY Access and Egress Hardware Group, Inc. is prohibited.

80-9380-8000-152 Rev 3 12/22

Experience a safer and more open world

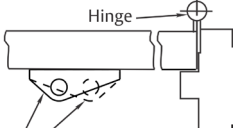
D. Attach Arm Bracket to Door

Standard Position:
Normal mounting position.
Position with pivot point
away from hinge.



Away from hinge

For Additional 15% Closing Force:
Reposition arm mounting bracket
so that pivot point is toward hinge.

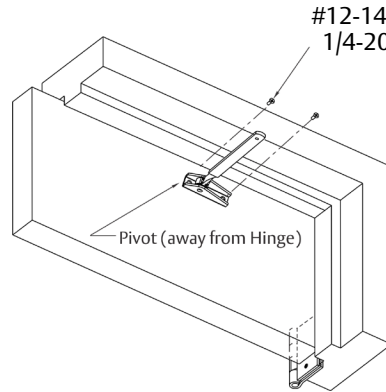


Hinge

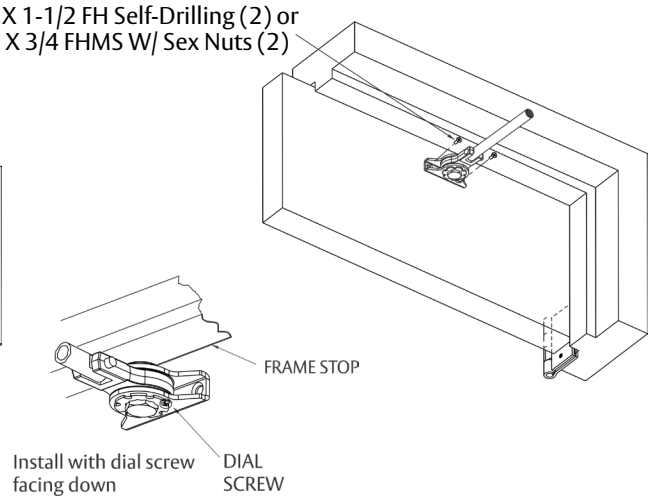
FOR REGULAR
POWER

FOR MAXIMUM
POWER

Non-Hold Open Arm Only:



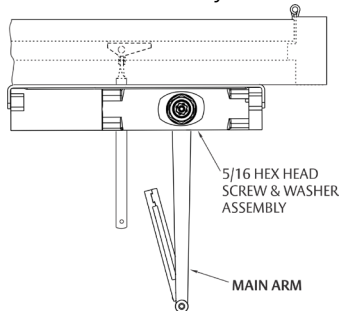
Hold Open Arm (A1 Option Only):



E. Position Arm on Closer

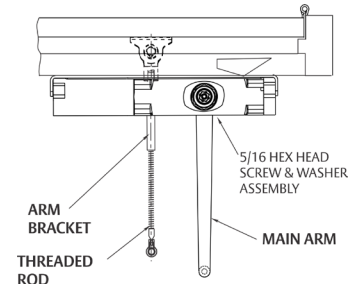
Non-Hold Open Arm Only:

Main arm projects straight out at 90° angle to door. Install and tighten arm screw & washer assembly.



Hold Open Arm Only:

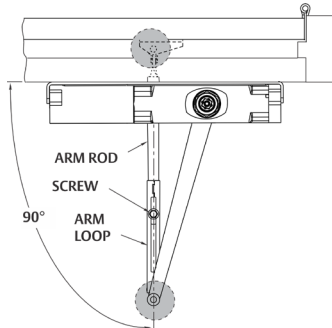
Main arm projects straight out at 90° angle to door. Install and tighten arm screw & washer assembly. Remove main arm screw from elbow joint and disassemble arm. Thread the rod into the Arm Bracket as shown here.



F. Preload and Adjust Arm

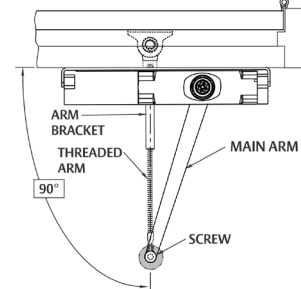
Non-Hold Open Arm Only:

Open door and slide arm rod into arm loop. Close door, swing arms so adjusting arm is 90° to frame. With 7/16" wrench, **INSTALL and TIGHTEN SCREW SECURELY.**



Hold Open Arm Only (A1 Option):

While door is closed, adjust the Threaded Arm in the Arm Bracket until the bearing fits back onto the elbow joint on the Main Arm at 90° as shown below. **RE-INSTALL and TIGHTEN SCREW SECURELY.**



Extended Maintenance
Lubricate Arm periodically at shaded points with a drop or two of appropriate lubricant.
NOTE: When lubricating a Hold Open Arm, **DO NOT** use any lubricant on the Holding Surface components.

G. Adjust Door Closer: Refer to Page 8

4 DC8000 Closer Adjustment

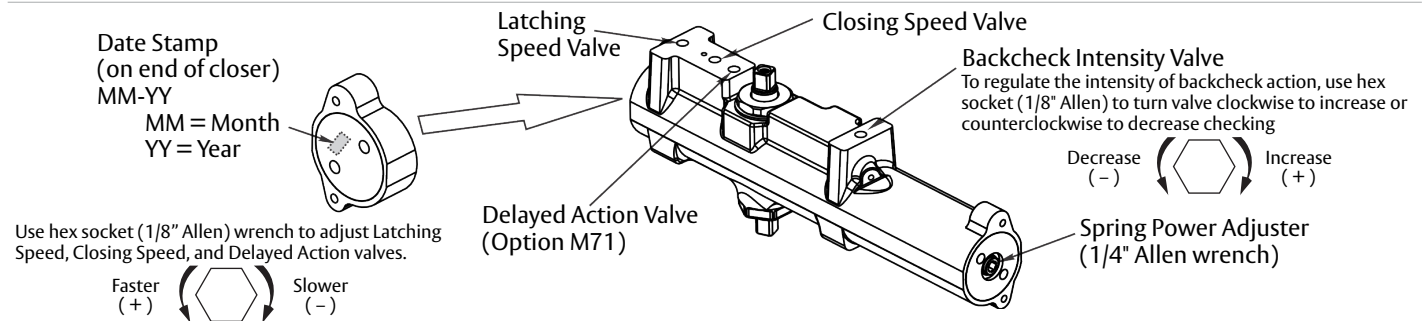
Spring Adjustment Power

Locate spring power adjuster from illustration below.

DC8200 Size 1 thru 6 Spring Power Adjustment Chart

- All DC8200 closers are factory set at an approximate Size 3.
- Adjust closer as needed for door size using this chart.
- Readjustment may be required to suit prevailing conditions.

Size of Door			Spring Power Adjustment (No. of Full turns Clockwise)		Approx. Equivalent Closer Size
Interior	Exterior In Swing	Exterior Out Swing	Regular & TJ Mounting	Parallel Arm Mounting	
2' 4" (712)	2' 6" (764)	—	1 – 5	2 – 7	3
2' 6" (764)	3' 0" (915)	—	5 – 8	7 – 11	4
3' 0" (915)	3' 6" (1067)	2' 6" (764)	8 – 13	11 – 15	5
3' 6" (1067)	4' 0" (1219)	3' 0" (915)	13 – 15	15 – 17	6



Closing Speed Valve (1/8" Allen Wrench Provided)

To adjust speed of door closing from fully open to a position 2" to 5" from closed, turn Closing Speed Valve **CLOCKWISE** to **SLOW** closing, **COUNTERCLOCKWISE** to **SPEED** closing.

Latching Speed Valve (1/8" Allen Wrench Provided)

After closing speed has been obtained, turn latching speed valve **CLOCKWISE** to **SLOW** latching or **COUNTERCLOCKWISE** to **SPEED** latching for last 2" to 5" of door travel.

NOTE: Set combination of **CLOSING** and **LATCHING** speeds to between 3 and 7 seconds. Use of door by handicapped, elderly, or small children may require even greater closing time.

Delayed Action Valve (1/8" Allen Wrench Provided)

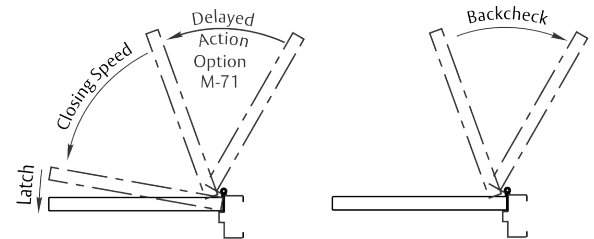
Turn valve **CLOCKWISE** to **SLOW** closing, **COUNTERCLOCKWISE** to **SPEED** closing. Delayed action may be adjusted from 20 seconds to 90 seconds, depending on degree of door swing. Delay occurs at the beginning of the door closing cycle from fully open down to 70°, where the closing speed valve then begins its control.

Backcheck Intensity Valve

Turn valve **COUNTERCLOCKWISE** to reduce backcheck or **CLOCKWISE** to increase backcheck. (Backcheck should be set to give a soft cushioning action, not a sudden stop.)

To Adjust Hold Open (A1 Option)

Open the door to desired position and tighten the hold open screw firmly (For RH application, turn screw on underside **CLOCKWISE**. For LH application, turn screw **COUNTERCLOCKWISE**.) Place the hold open dial over the hex head of the bracket screw so that one of the slots in the dial is directly over small screw hole tapped in bracket. Seat the dial tightly over the bracket. **INSERT DIAL SCREW AND TIGHTEN SECURELY.**



Installing Cover

- Slip cover over closer.
- Hold tightly against **QUICK-INSTALL** Bracket surface.
- Secure on each side with 6-32 x 1/4" PBHMS screws.

