

Installation Instructions

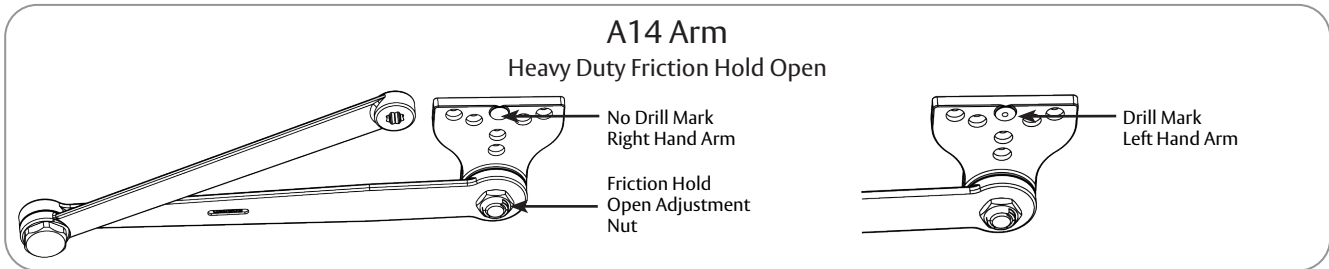
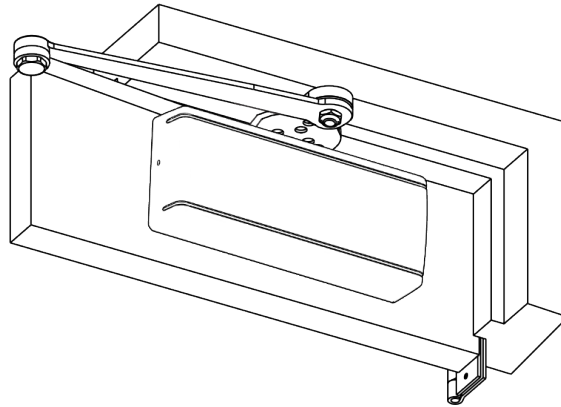


ASSA ABLOY

DC8200 Series

Universal Door Closer with A14 Heavy Duty Friction Hold Open Parallel Arm

DC8210 Series Multi-Sized from 1 through 6



IMPORTANT:

- An improperly installed or incorrectly adjusted door closer may cause **property damage and/or personal injury**; and will void product warranty.
- To avoid personal injury, **DO NOT DISASSEMBLE THIS DOOR CLOSER BODY.**
- Door closers must be securely fastened to a properly reinforced door and frame with fasteners provided.
- An auxiliary door stop, BY OTHERS, is required for this installation.
- Arm is handed and must match hand of door.

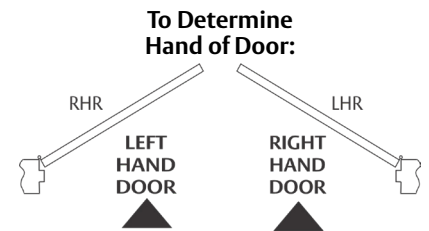
BEFORE INSTALLING:



- The Americans with Disabilities Act (ADA) requires that doors having door closers have an opening force not to exceed 5 lbf.
- The door closer's power size adjustment feature may require adjustment to its lowest setting to comply with ADA opening force guidelines.
- ADA compliant closer: DC8210.

Size of Door & Door Closer					
Type of Installation	Interior	Exterior In-swinging	Exterior Out-swinging	Recommended Closer size	**Max. Opening Force (lbs/f)
Parallel Arm	2'4"	—	—	1	8
	2'6"	—	—	2	14
	3'0"	—	2'6"	3	16
	3'6"	—	3'0"	4	22
	4'0"	—	3'6"	5	24
	4'6"	—	4'0"	6	26

**These forces are for standard templating with bearing type hinges and do not account for pressure differentials and drafts.



⚠ WARNING

This product can expose you to lead which is known to the state of California to cause cancer and birth defects or other reproductive harm. For more information go to www.P65warnings.ca.gov.

⚠ WARNING

Attention Installer: Improper installation may result in damage to the product and void the factory warranty.

For installation assistance contact Corbin Russwin
1-800-543-3658 • techsupport.corbinrusswin@assaabloy.com

Copyright © 2006, 2009, 2022, ASSA ABLOY Access and Egress Hardware Group, Inc. All rights reserved. Reproduction in whole or in part without the express written permission of ASSA ABLOY Access and Egress Hardware Group, Inc. is prohibited.

80-9380-8007-152 Rev 3 12/22

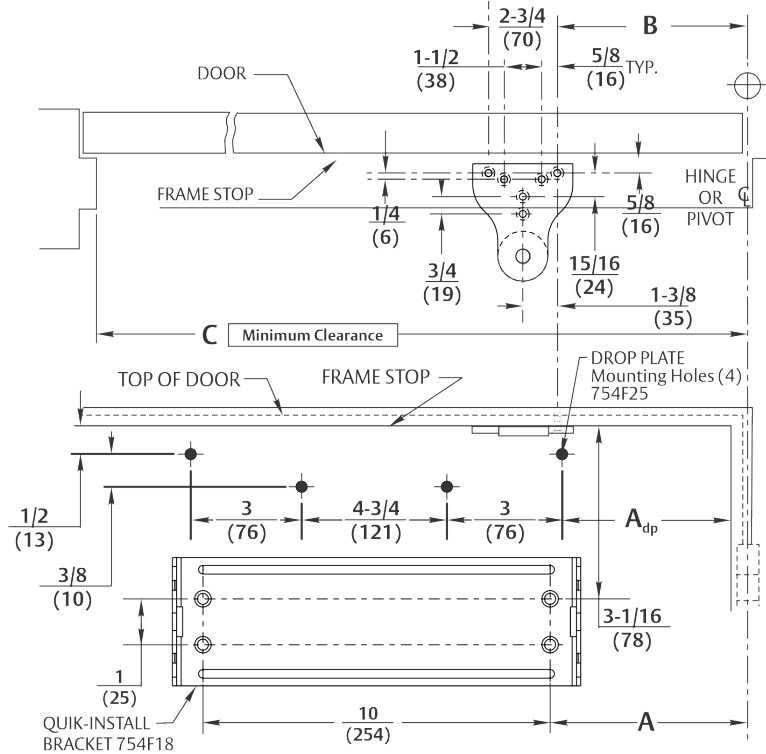
Experience a safer
and more open world

Approved 2022-12-12

Installation Instructions

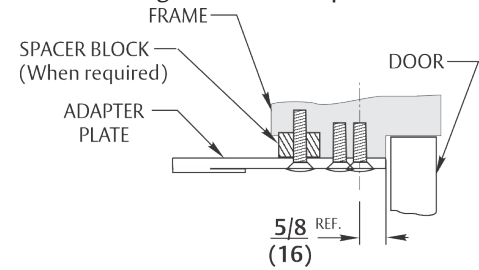
A. Mark door and Jamb (for QUIK-INSTALL® bracket and arm bracket)

Use template and dimensions charted.

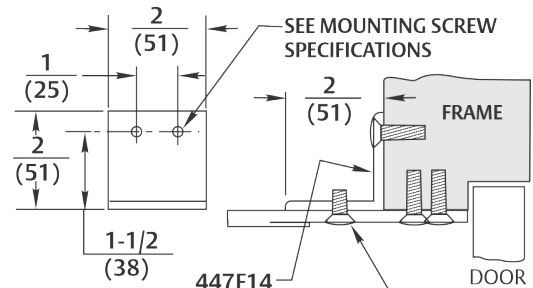


NOTES:

- Check hand of door (Refer to page 1)
- Right hand application shown. Left hand opposite.
- Dimensions given in inches (mm). Do not scale drawing.
- Closer must be installed in a true horizontal plane to ensure proper closer performance.
- Friction Hold Open arms are handed and not reversible. See handing marks on soffit plate.



M85 OPTION 447F14 ANGLE SUPPORT BRACKET

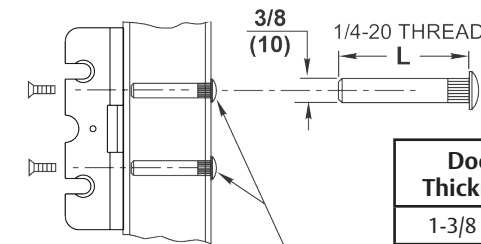


NOTE: ANGLE SUPPORT MUST BE DRILLED AND TAPPED IN THE FIELD

Opening Maximum	A QUIK-INSTALL Bracket	A _{dp} Drop Plate	B Soffit Bracket	C Minimum Clearance	Application
90°	7-1/4 (184)	2-3/4 (70)	11 (279)	27 (686)	Non-A.D.A
180°	3-1/4 (83)	6-3/4 (171)	7 (178)	23 (584)	

Mounting Screw Specifications
Arm and QUIK-INSTALL Bracket

#12-14 self-drilling screw
1/8 (3) diameter pilot hole
required for Wood Applications } OR { Sex nuts, furnished
when ordered

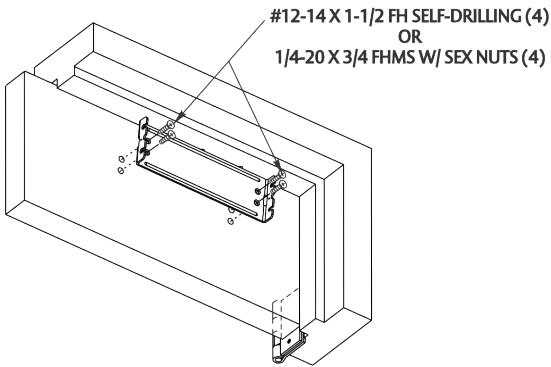


Drill thru 9/32 (7) Enlarge to 3/8 (10) Dia. This Side Only (4 Places)

Door Thickness	Sex Nut Length "L"
1-3/8 (35)	1-9/32 (33)
1-3/4 (44) & Over	1-21/32 (42)

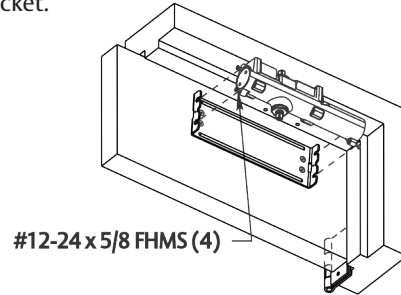
Installation Instructions

B. Mount QUIK-INSTALL Bracket.

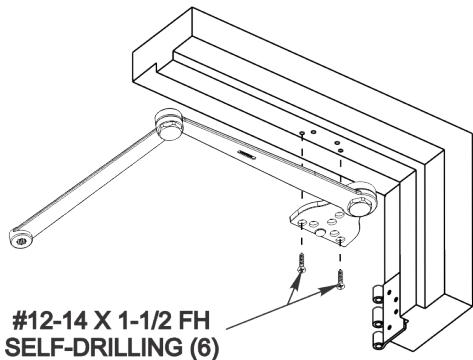


C. Mount Closer Body to QUIK-INSTALL Bracket.

- Start the four (4) mounting screws into the four (4) closer mounting holes.
- Place the closer onto the QUIK-INSTALL bracket with the four (4) mounting screws inserted in the four (4) QUIK-INSTALL bracket slots.
- Tighten the four (4) mounting screws to fasten the closer body to the QUIK-INSTALL bracket.



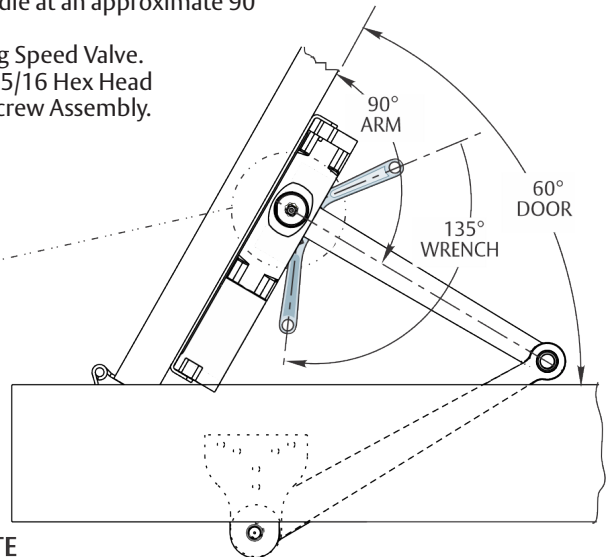
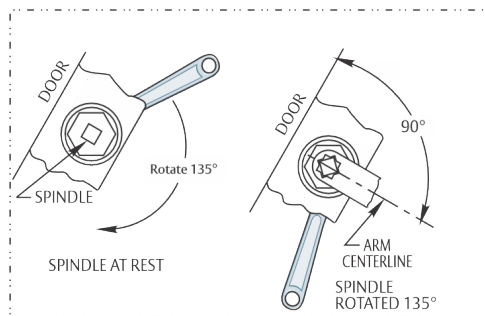
D. Mount Arm to Door Frame.



E. Connect Arm to Closer.

Using 1/8 hex wrench provided, turn Closing Speed Valve clockwise to close the valve. **Do Not Overtighten!** (Refer to page 4 for valve location.)

- Open door to approximately 60°.
- Using adjustable wrench on the underside of spindle, rotate spindle approximately 135° toward hinge edge of door.
- Install arm on spindle at an approximate 90° angle to door.
- Reopen the Closing Speed Valve.
- Install and tighten 5/16 Hex Head Arm Washer and Screw Assembly.



ALL ANGLES SHOWN ARE APPROXIMATE

F. Adjust Hold Open Position.

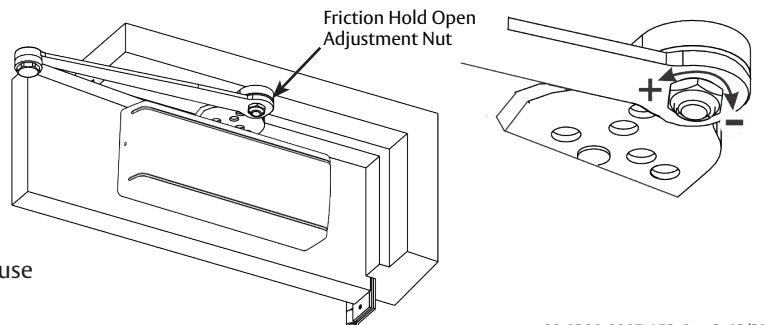
Open the door to desired degree of hold open. (If door does not open far enough, loosen Hold Open Adjustment Nut.)

Place door at the desired degree for hold open and tighten the Hold Open Adjustment Nut.

Rotation:

- Counter-clockwise will increase (+) angle.
- Clockwise will decrease (-) angle.

NOTE: Pushing door beyond the set hold open point may cause damage to product.



G. Adjust Closer

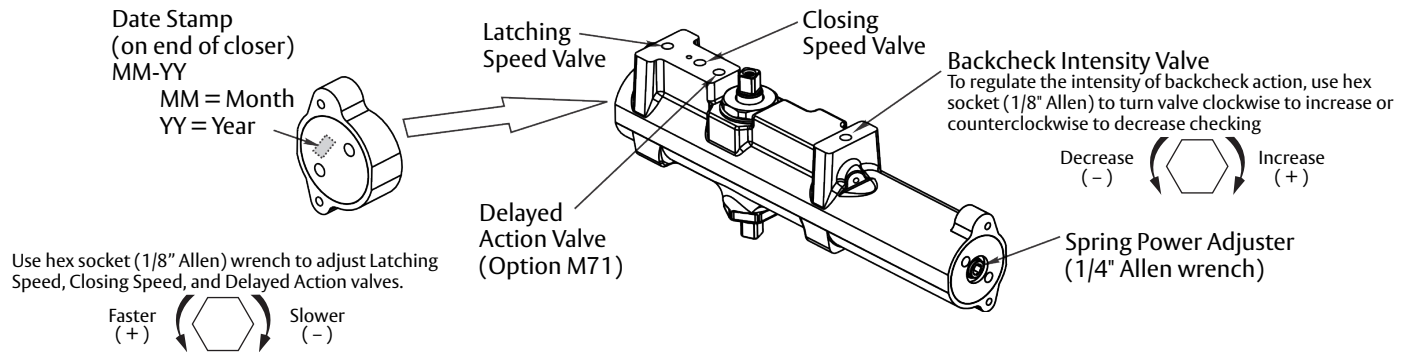
Spring Adjustment Power

Locate spring power adjuster from illustration below.

DC8200 Size 1 thru 6 Spring Power Adjustment Chart

- All DC8200 closers are factory set at an approximate Size 3.
- Adjust closer as needed for door size using this chart.
- Readjustment may be required to suit prevailing conditions.

Size of Door			Spring Power Adjustment (No. of Full turns Clockwise)	Approx. Equivalent Closer Size
Interior	Exterior In Swing	Exterior Out Swing		
2' 4" (712)	2' 6" (764)	—	2 - 7	3
2' 6" (764)	3' 0" (915)	—	7 - 11	4
3' 0" (915)	3' 6" (1067)	2' 6" (764)	11 - 15	5
3' 6" (1067)	4' 0" (1219)	3' 0" (915)	15 - 17	6



Closing Speed Valve (1/8" Allen Wrench Provided)

To adjust speed of door closing from fully open to a position 2" to 5" from closed, turn Closing Speed Valve **CLOCKWISE** to **SLOW** closing, **COUNTERCLOCKWISE** to **SPEED** closing.

Latching Speed Valve (1/8" Allen Wrench Provided)

After closing speed has been obtained, turn latching speed valve **CLOCKWISE** to **SLOW** latching or **COUNTERCLOCKWISE** to **SPEED** latching for last 2" to 5" of door travel.

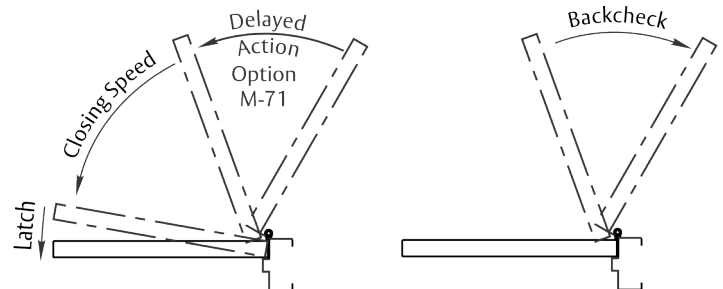
NOTE: Set combination of **CLOSING** and **LATCHING** speeds to between 3 and 7 seconds. Use of door by handicapped, elderly, or small children may require even greater closing time.

Delayed Action Valve (1/8" Allen Wrench Provided)

Turn valve **CLOCKWISE** to **SLOW** closing, **COUNTERCLOCKWISE** to **SPEED** closing. Delayed action may be adjusted from 20 seconds to 90 seconds, depending on degree of door swing. Delay occurs at the beginning of the door closing cycle from fully open down to 70°, where the closing speed valve then begins its control.

Backcheck Intensity Valve

Turn valve **COUNTERCLOCKWISE** to reduce backcheck or **CLOCKWISE** to increase backcheck. (Backcheck should be set to give a soft cushioning action, not a sudden stop.)



Installing Cover

- Slip cover over closer.
- Hold tightly against QUIK-INSTALL Bracket surface.
- Secure on each side with 6-32 x 1/4" PBHMS screws.

Insert is removable.
Place in unused opening.

