

Installation Instructions

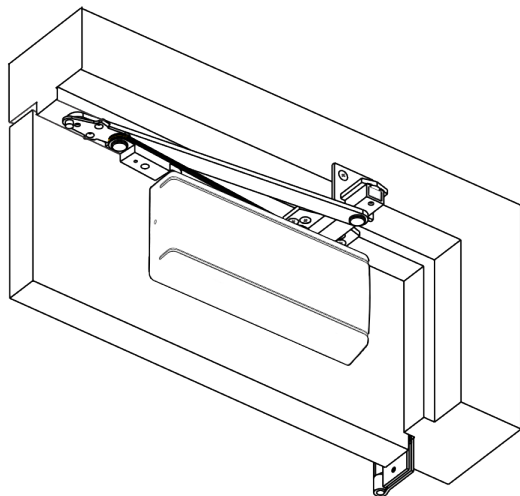


ASSA ABLOY

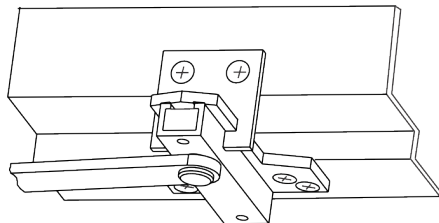
DC8200 Series

Universal Door Closer with Unitrol® Arms (by Norton Rixson)

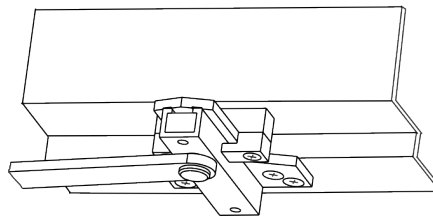
DC8210 Series Multi-Sized from 1 through 6



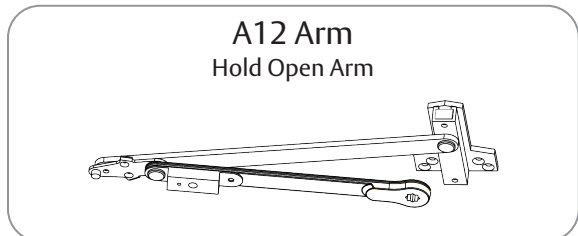
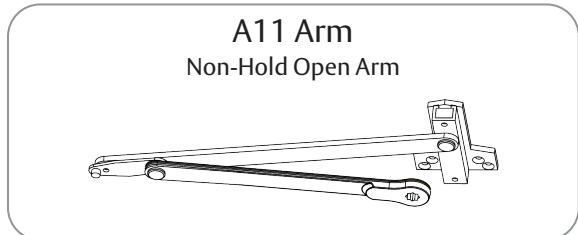
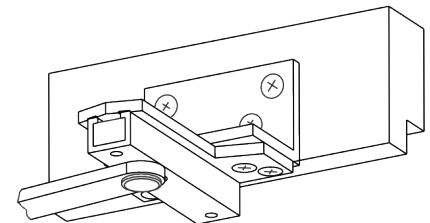
Standard Application
with 615F58 Bracket



Deep Reveal Application
with M103 Option (615F59 Clamp Kit)



Flush Partition Application
with M104 Option (615F60 Bracket)

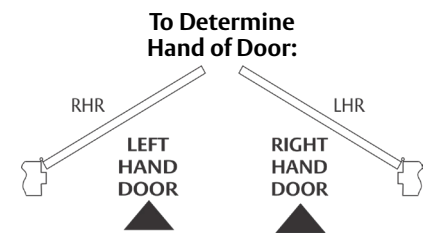


IMPORTANT:

- An improperly installed or incorrectly adjusted door closer may cause **property damage and/or personal injury**; and will void product warranty.
- To avoid personal injury, **DO NOT DISASSEMBLE THIS DOOR CLOSER BODY.**
- Door closers must be securely fastened to a properly reinforced door and frame with fasteners provided.
- Door closers with a HOLD OPEN ARM (A12) are not permitted to be installed in fire door assemblies.
- Door and frame must be specifically templated for 85°, 90°, 95°, 100°, 105°, or 110° door swing.

Size of Door & Door Closer					
Type of Installation	Interior	Exterior In-swinging	Exterior Out-swinging	Recommended Closer size	**Max. Opening Force (lbs/f)
Parallel Arm	2'4"	—	—	1	8
	2'6"	—	—	2	14
	3'0"	—	2'6"	3	16
	3'6"	—	3'0"	4	22
	4'0"	—	3'6"	5	24
	4'6"	—	4'0"	6	26

**These forces are for standard templating with bearing type hinges and do not account for pressure differentials and drafts.



⚠ WARNING

This product can expose you to lead which is known to the state of California to cause cancer and birth defects or other reproductive harm. For more information go to www.P65warnings.ca.gov.

⚠ WARNING

Attention Installer: Improper installation may result in damage to the product and void the factory warranty.

For installation assistance contact Corbin Russwin
1-800-543-3658 • techsupport.corbinrusswin@assaabloy.com

Copyright © 2006, 2009, 2022, ASSA ABLOY Access and Egress Hardware Group, Inc. All rights reserved. Reproduction in whole or in part without the express written permission of ASSA ABLOY Access and Egress Hardware Group, Inc. is prohibited.

80-9380-8003-152 Rev 3 12/22

Experience a safer
and more open world

Approved 2022-12-12

Installation Instructions

A. Templates

Mark **Door** (for QUIK-INSTALL® bracket) and **Jamb** (for arm bracket). **NOTES:**

There are three (3) frame template options:
 Standard Application (Section A1 below)
 Deep Reveal Application (Section A2 on page 3)
 Flush Partition Application (Section A3 on page 3)

- See chart below to select degree of door opening and door width. Determine door frame condition: Standard & Deep Reveal (use Dimensions A & B) or Flush Partition (use Dimensions A & C)
- Minimum top rail for Standard Application: 5 (127)
- Minimum top rail for Drop Plate Application: 2 (51)

Opening		Doors 28" to 32" 615F52 NHO Arm (A11) 615F51 HO Arm (A12)			Doors 33" to 41" 615F54 NHO Arm (A11) 615F53 HO Arm (A12)			Doors 42" to 48" 615F56 NHO Arm (A11) 615F55 HO Arm (A12)		
Hold Open	Dead Stop	Dim A	Dim B	*Dim C	Dim A	Dim B	*Dim C	Dim A	Dim B	*Dim C
85°	90°	5-3/4 (146)	9-3/4 (248)	9-7/8 (251)	8-1/8 (206)	11-7/8 (302)	12 (305)	10-1/4 (260)	14-1/4 (362)	14-3/8 (365)
90°	95°	5-1/4 (133)	9-1/4 (235)	9-3/8 (238)	7-5/8 (194)	11-3/8 (289)	11-1/2 (292)	9-3/4 (248)	13-3/4 (349)	13-7/8 (352)
95°	100°	4-3/4 (121)	8-3/4 (222)	8-7/8 (225)	7-1/8 (181)	10-7/8 (276)	11 (279)	9-1/8 (232)	13-1/8 (333)	13-1/4 (337)
100°	105°	4-3/8 (111)	8-3/8 (213)	8-1/2 (216)	6-5/8 (168)	10-3/8 (264)	10-1/2 (267)	8-1/2 (216)	12-1/2 (318)	12-5/8 (346)
105°	110°	4 (102)	8 (203)	8-1/8 (206)	6-1/4 (159)	10 (254)	10-1/8 (257)	8 (203)	12 (305)	12-1/8 (308)
110°	115°	3-3/4 (95)	7-3/4 (197)	7-7/8 (200)	6 (152)	9-3/4 (248)	9-7/8 (251)	7-5/8 (194)	11-5/8 (295)	11-3/4 (298)

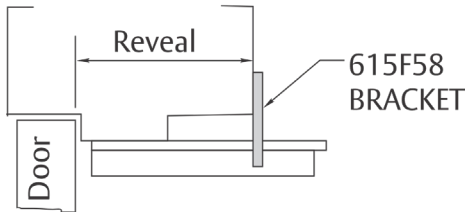
* Dimension "C" is only used for Flush Partition Application. Refer to Section A3 on page 3.

A1. Standard Application with 615F58 Bracket

NOTES:

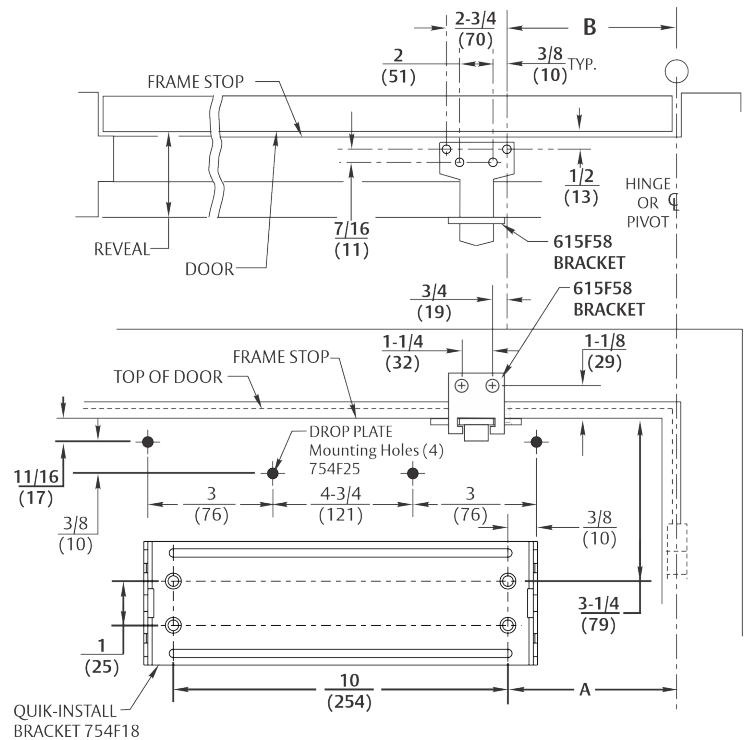
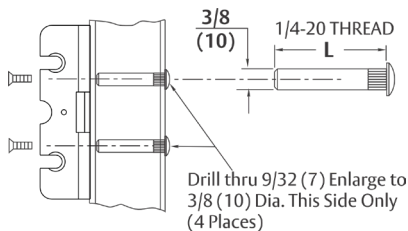
- Check hand of door (Refer to page 1)
- Right hand application shown. Left hand opposite.
- Dimensions given in inches (mm). Do not scale drawing.
- Closer must be installed in a true horizontal plane to ensure proper closer performance.

Frame Reveals 1-7/8" to 4-5/8"
(48mm to 117mm)



Mounting Screw Specifications Arm and QUIK-INSTALL Bracket

#12-14 self-drilling screw
 1/8 (3) diameter pilot hole
 required for Wood Applications } OR { Sex nuts, furnished
 when ordered



Door Thickness	Sex Nut Length "L"
1-3/8 (35)	1-9/32 (33)
1-3/4 (44) & Over	1-21/32 (42)

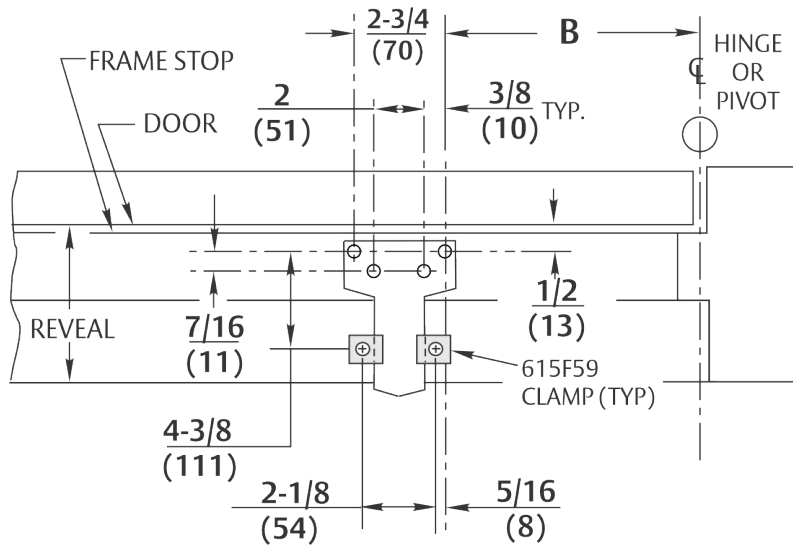
For installation assistance contact Corbin Russwin
 1-800-543-3658 • techsupport.corbinrusswin@assaabloy.com

80-9380-8003-152 Rev 3 12/22

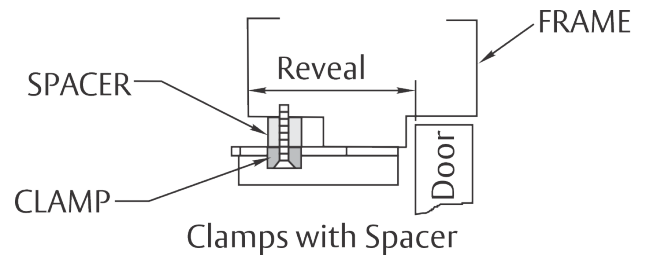
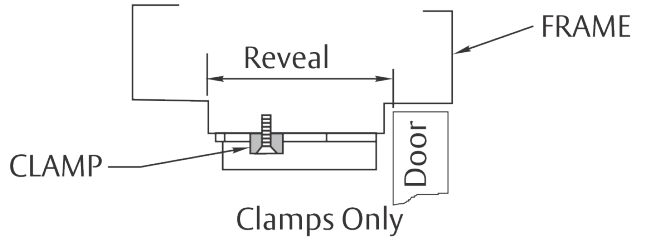
Copyright © 2006, 2009, 2022, ASSA ABLOY Access and Egress Hardware Group, Inc. All rights reserved. Reproduction in whole or in part without the express written permission of ASSA ABLOY Access and Egress Hardware Group, Inc. is prohibited.

Installation Instructions

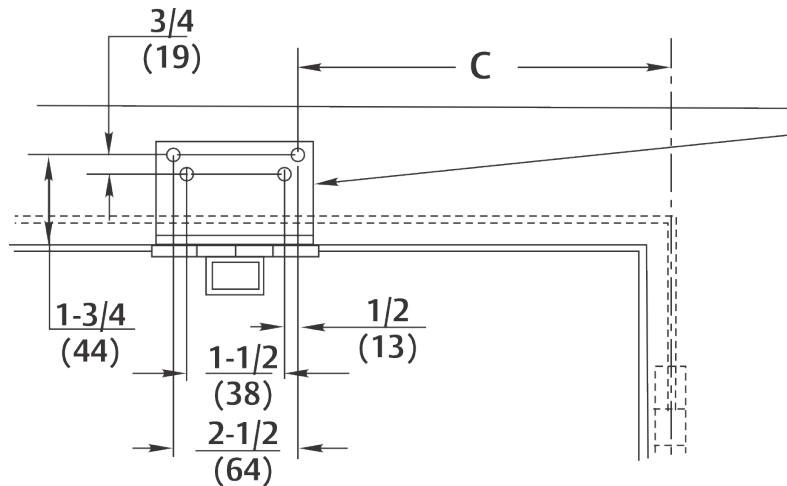
A2. Deep Reveal Frame Template Application with M103 Option (615F59 Clamp Kit)



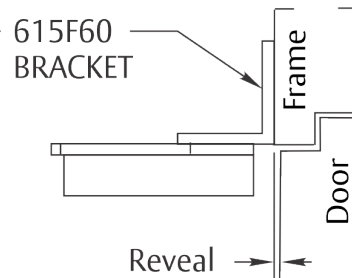
Frame reveals over 4-5/8" (117mm)



A3. Flush Partition Frame Template Application with M104 Option (615F60 Bracket)

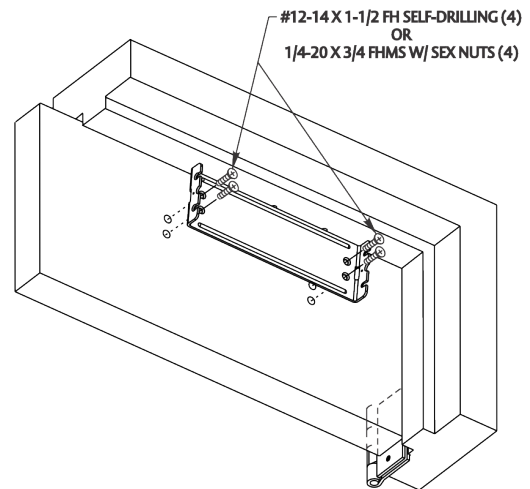


Frame Reveals 0" to 1/8" (0mm to 3mm)



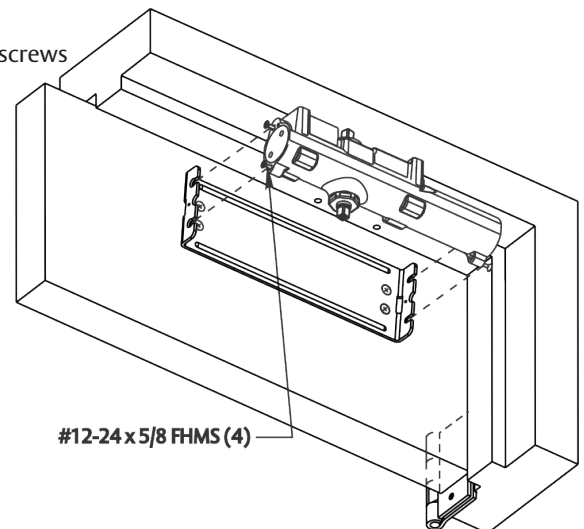
Installation Instructions

B. Mount QUIK-INSTALL Bracket.

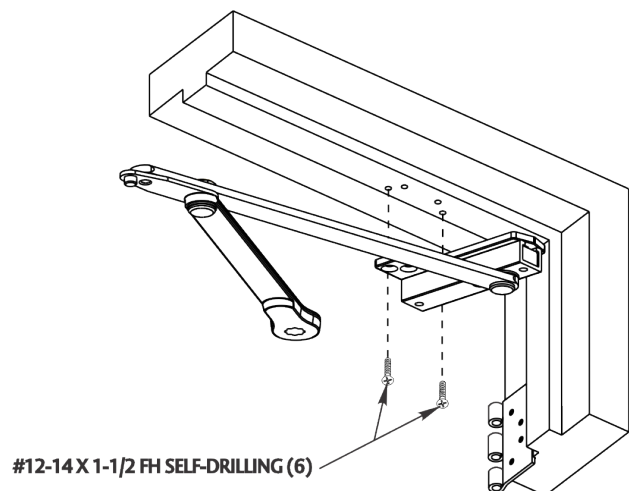


C. Mount Closer Body to QUIK-INSTALL Bracket.

- Start the four (4) mounting screws into the four (4) closer mounting holes.
- Place the closer onto the QUIK-INSTALL bracket with the four (4) mounting screws inserted in the four (4) QUIK-INSTALL bracket slots.
- Tighten the four (4) mounting screws to fasten the closer body to the QUIK-INSTALL bracket.



D. Mount Arm to Door Frame.

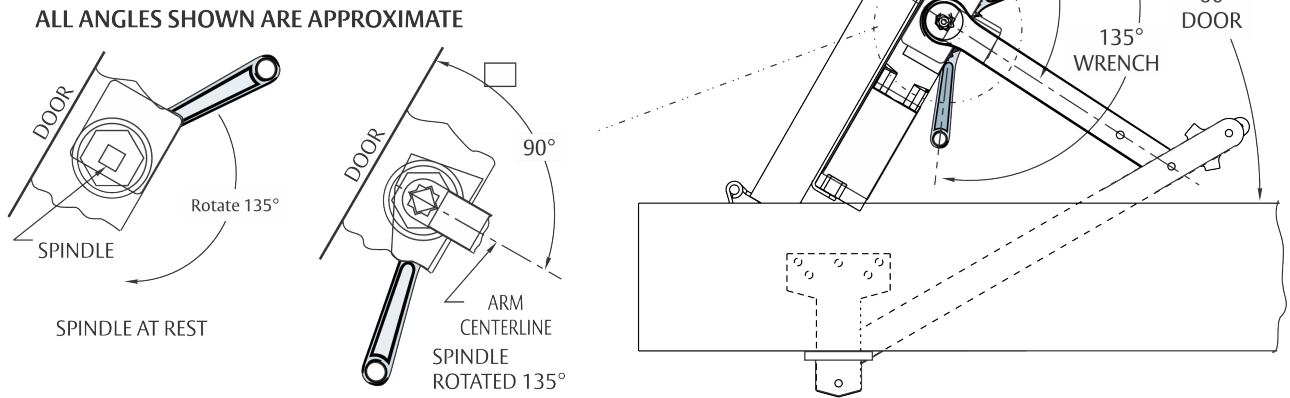


Installation Instructions

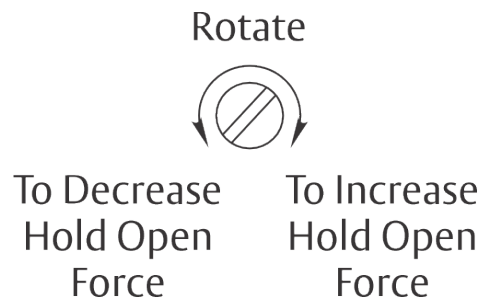
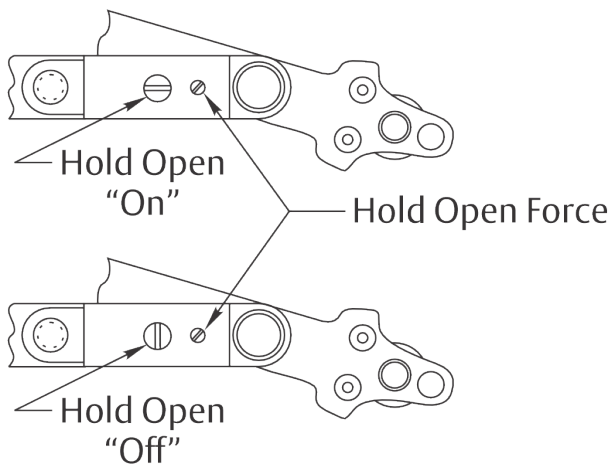
E. Connect Arm to Closer.

Using 1/8 hex wrench, turn Closing Speed Valve clockwise to close the valve. **Do Not Overtighten!**
(Refer to page 6 for valve location.)

- Open door to approximately 60°.
- Using wrench on the underside of spindle, rotate spindle approximately 135° toward hinge edge of door.
- Install arm on spindle at an approximate 90° angle to door.
- Reopen the Closing Speed Valve.
- Install and tighten 5/16 Hex Head Arm Washer and Screw Assembly.



Hold Open Adjustments – A12 Arms Only



Installation Instructions

F. Adjust Closer

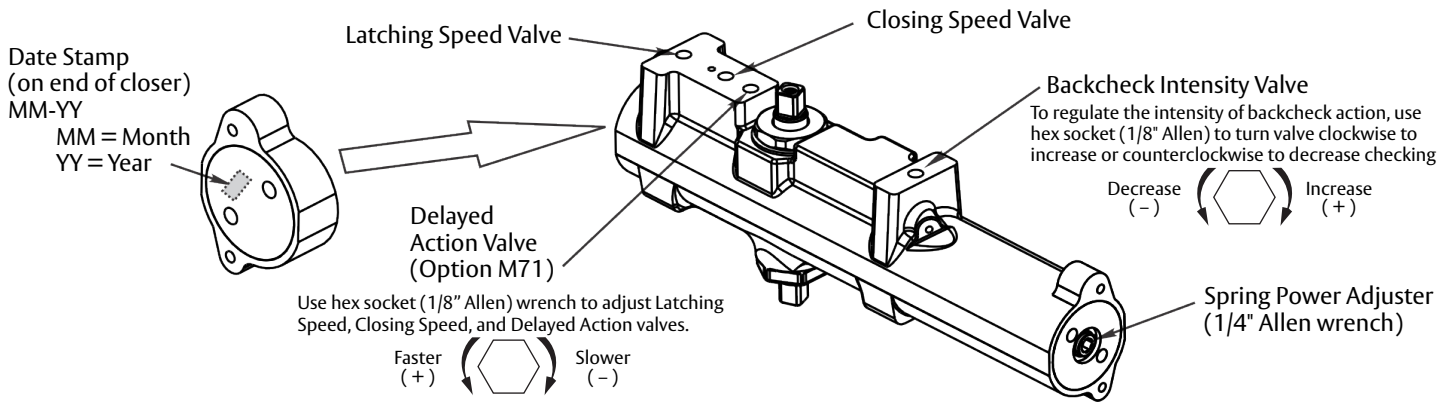
Spring Adjustment Power

Locate spring power adjuster from illustration below.

DC8200 Size 1 thru 6 Spring Power Adjustment Chart

- All DC8200 closers are factory set at an approximate Size 3.
- Adjust closer as needed for door size using this chart.
- Readjustment may be required to suit prevailing conditions.

Size of Door			Spring Power Adjustment (No. of Full turns Clockwise)	Approx. Equivalent Closer Size
Interior	Exterior In Swing	Exterior Out Swing		
2' 4" (712)	2' 6" (764)	—	2 – 7	3
2' 6" (764)	3' 0" (915)	—	7 – 11	4
3' 0" (915)	3' 6" (1067)	2' 6" (764)	11 – 15	5
3' 6" (1067)	4' 0" (1219)	3' 0" (915)	15 – 17	6



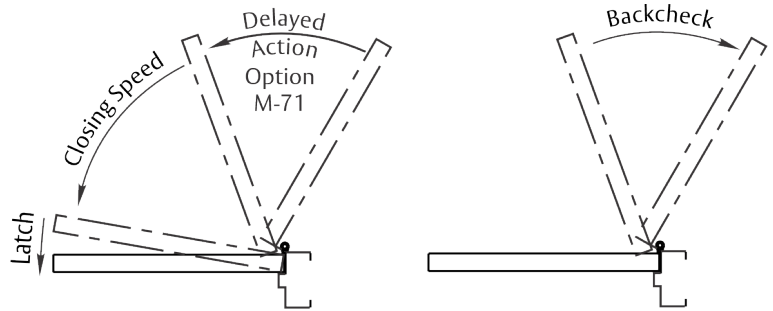
Closing Speed Valve (1/8" Allen Wrench Provided)

To adjust speed of door closing from fully open to a position 2" to 5" from closed, turn Closing Speed Valve **CLOCKWISE** to SLOW closing, **COUNTERCLOCKWISE** to SPEED closing.

Latching Speed Valve (1/8" Allen Wrench Provided)

After closing speed has been obtained, turn latching speed valve **CLOCKWISE** to SLOW latching or **COUNTERCLOCKWISE** to SPEED latching for last 2" to 5" of door travel.

NOTE: Set combination of CLOSING and LATCHING speeds to between 3 and 7 seconds. Use of door by handicapped, elderly, or small children may require even greater closing time.



Delayed Action Valve (1/8" Allen Wrench Provided)

Turn valve **CLOCKWISE** to SLOW closing, **COUNTERCLOCKWISE** to SPEED closing. Delayed action may be adjusted from 20 seconds to 90 seconds, depending on degree of door swing. Delay occurs at the beginning of the door closing cycle from fully open down to 70°, where the closing speed valve then begins its control.

Backcheck Intensity Valve

Turn valve **COUNTERCLOCKWISE** to reduce backcheck or **CLOCKWISE** to increase backcheck. (Backcheck should be set to give a soft cushioning action, not a sudden stop.)

DC8200 Series

DC8210 with A11 or A12 Unitrol Arm Installation

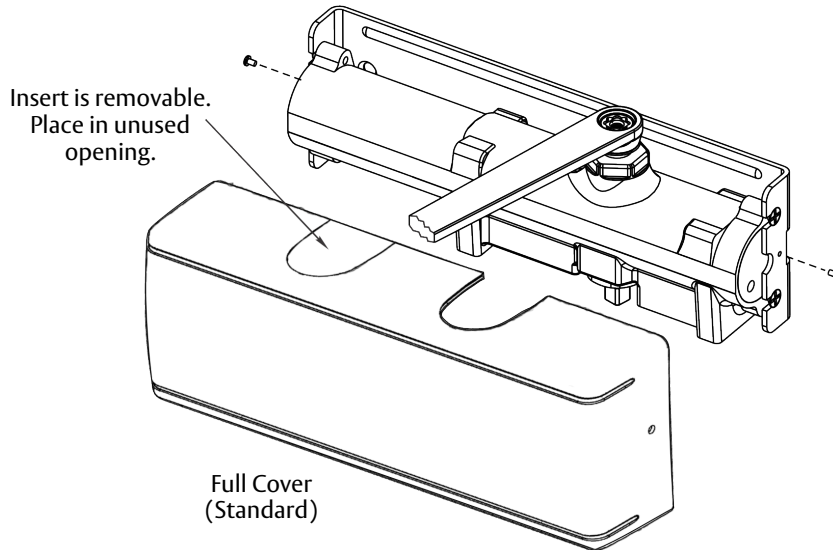


ASSA ABLOY

Installation Instructions

Installing Cover

- Slip cover over closer.
- Hold tightly against QUIK-INSTALL Bracket surface.
- Secure on each side with 6-32 x 1/4" PBHMS screws.



For installation assistance contact Corbin Russwin
1-800-543-3658 • techsupport.corbinrusswin@assaabloy.com

Copyright © 2006, 2009, 2022, ASSA ABLOY Access and Egress Hardware Group, Inc. All rights reserved. Reproduction in whole or in part without the express written permission of ASSA ABLOY Access and Egress Hardware Group, Inc. is prohibited.

80-9380-8003-152 Rev 3 12/22

Experience a safer
and more open world

