

Installation Instructions



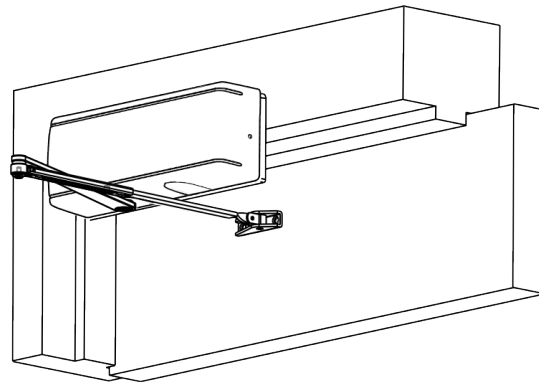
ASSA ABLOY

DC8200 Series

DC8220 Installation Addendum for use with 754F24 Drop Plates

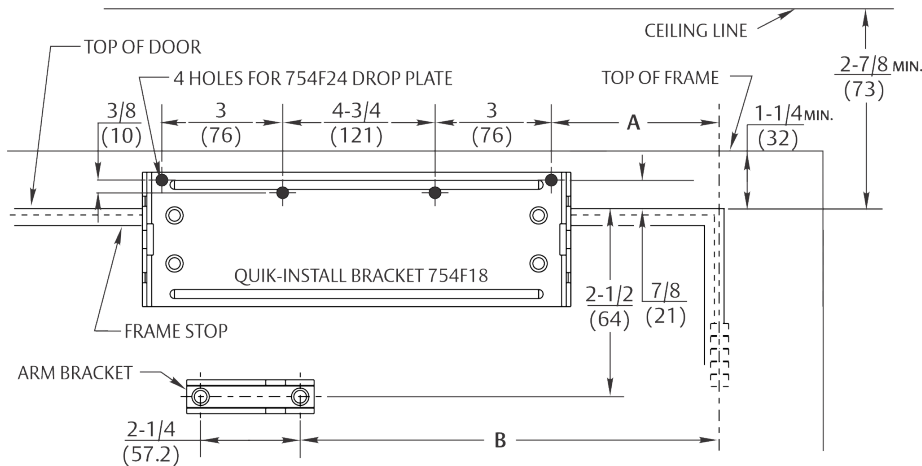
This addendum replaces the Template section for Jamb Mount Applications in document 80-9380-8000-152 when 754F24 drop plates are used.

Use of Drop Plate (754F24) in this application will put the bottom of the plate 2-1/8" (54mm) into the opening.



A. Mark door and Jamb (for arm bracket and drop plate)

Use template and dimensions below.



Opening Maximum	A	B	Hinge Condition
110°	6-1/8 (156)	14 (356)	Butts, Offset Pivots, and Swing Clear Hinges
140°	4-3/8 (111)	12-1/2 (318)	
180°	2-5/8 (67)	10-1/2 (267)	
140°	4-3/8 (111)	12-3/8 (314)	*Center Hung

Dimensions "A" and "B" are taken from centerline of hinge as shown and apply to pivot point of swing clear hinges. Offset and center hung pivots. *Must be single acting door.

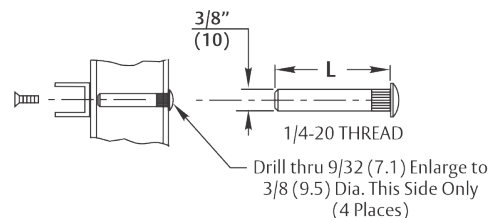
Mounting Screw Specifications

Arm and QUIK-INSTALL Bracket

#12-14 self-drilling screw
1/8 (3) diameter pilot hole
required for Wood Applications } OR { Sex nuts, furnished when ordered

NOTES:

- Check hand of door (Refer to page 1)
- Right hand application shown. Left hand opposite.
- Dimensions given in inches (mm). Do not scale drawing.
- Closer must be installed in a true horizontal plane to ensure proper closer performance.
- All degrees of door opening are dependent upon door, frame, wall, and hinge/pivot conditions permitting.



Door Thickness	Sex Nut Length "L"
1-3/8 (35)	1-9/32 (33)
1-3/4 (44) & Over	1-21/32 (42)

For installation assistance contact Corbin Russwin
1-800-543-3658 • techsupport.corbinrusswin@assaabloy.com

Copyright © 2007, 2009, 2022, ASSA ABLOY Access and Egress Hardware Group, Inc. All rights reserved. Reproduction in whole or in part without the express written permission of ASSA ABLOY Access and Egress Hardware Group, Inc. is prohibited.

80-9380-8009-152 Rev 3 12/22

Experience a safer
and more open world

Approved 2022-12-12