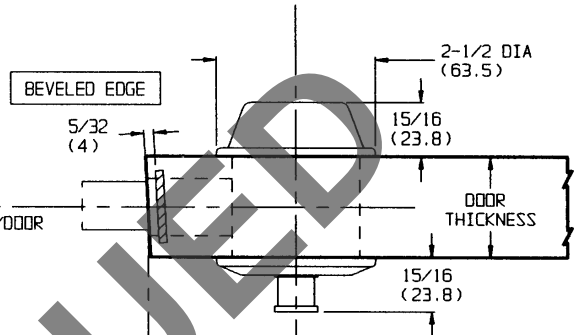
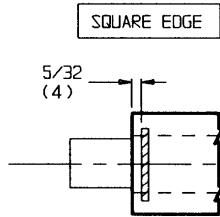
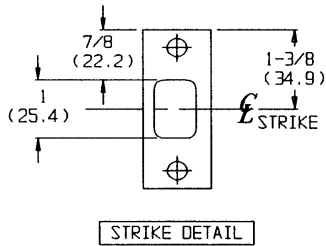


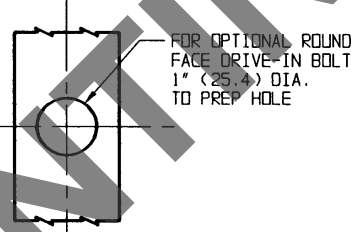
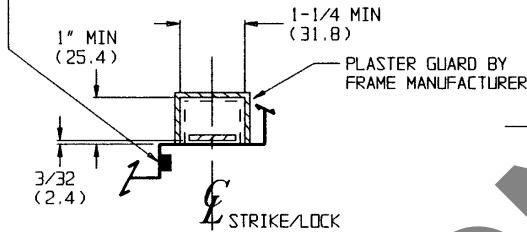
- NOTES:
- BACKSET IS MEASURED FROM CENTERLINE OF BEVEL WHICH IS CENTERPOINT OF DOOR THICKNESS. "A" IS ADJUSTABLE FOR 2-3/8(60.3) OR 2-3/4 (69.9).
  - DIMENSIONS GIVEN IN INCHES AND (MM).
  - DOOR PREP APPLIES TO ALL FUNCTIONS.
  - DOOR AND FRAME PREP WITH 2-3/4" (69.9) BACKSET AND 1-1/8" (28.6) WIDE LOCK FRONT MEETS ANSI STANDARD A115.13 (STEEL) FOR BORED DEADLOCKS.

TEMPLATE CROSS REFERENCE	
DESCRIPTION	TEMPLATE
394F19 OPTIONAL STRIKE	T30540
423L71 ANSI STRIKE	T30543
484F57 WOOD JAMB STRIKE	T30542



**CAUTION: DOOR AND FRAME MANUFACTURERS**

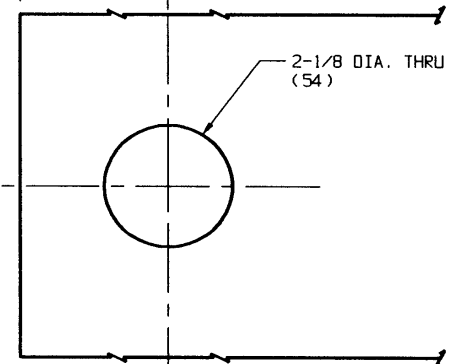
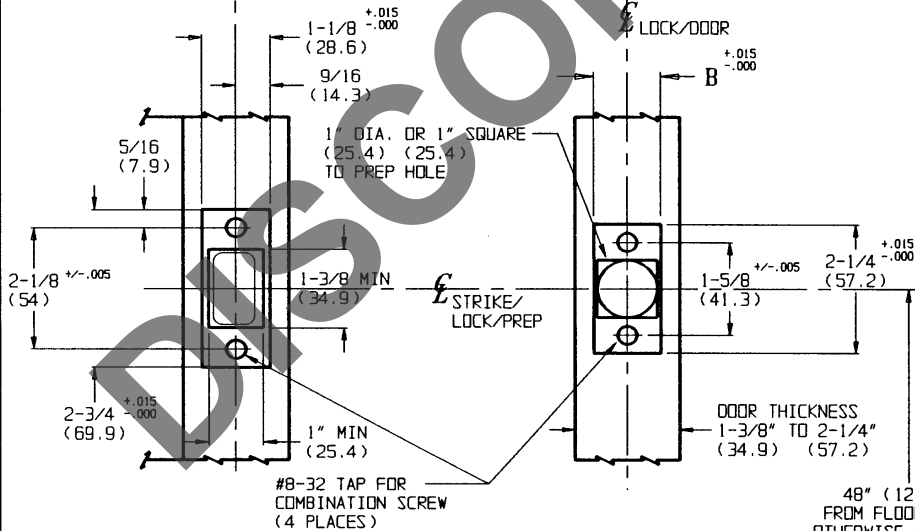
WHEN DOOR GASKETING OR SILENCERS ARE USED, PROPER ALLOWANCES MUST BE MADE FOR STRIKE LOCATION TO MAINTAIN A COMMON CENTERLINE WITH LOCK AND DOOR AS SHOWN SO THAT BOLT WILL FREELY ENTER STRIKE.



BEVEL  
1/8 IN 2"  
(3.2) (50.8)

A  
BACKSET  
(SEE NOTE 1)

LOCK/PREP



48" (1219.2)  
FROM FLOOR UNLESS  
OTHERWISE SPECIFIED

FRAME DETAIL
STRIKE 612F78 (REGULARLY FURNISHED)

FRONT WIDTH B	
1-1/8 (28.6)	REGULAR
1" (25.4)	OPTIONAL

FINISHED FLOOR

DOOR DETAIL

TOLERANCES	
INCHES	(MM)
.005	(.127)
.015	(.381)

**RESPONSIBILITY**

Door and Frame Manufacturers are responsible for providing adequate construction or reinforcements for proper installation of hardware shown. All architectural builders hardware must be installed on properly reinforced doors and frames, regardless of the type, material, or method of construction.

DL2000 SERIES  
TUBULAR DEADLOCK

**Corbin  
Russwin**  
www.corbinrusswin.com

DO NOT SCALE DRAWING

SUPERSEDES	VT30350	DR.	CJF	APR	<i>[Signature]</i>
DATE	03/16/93	TEMPLATE NUMBER	T30474		