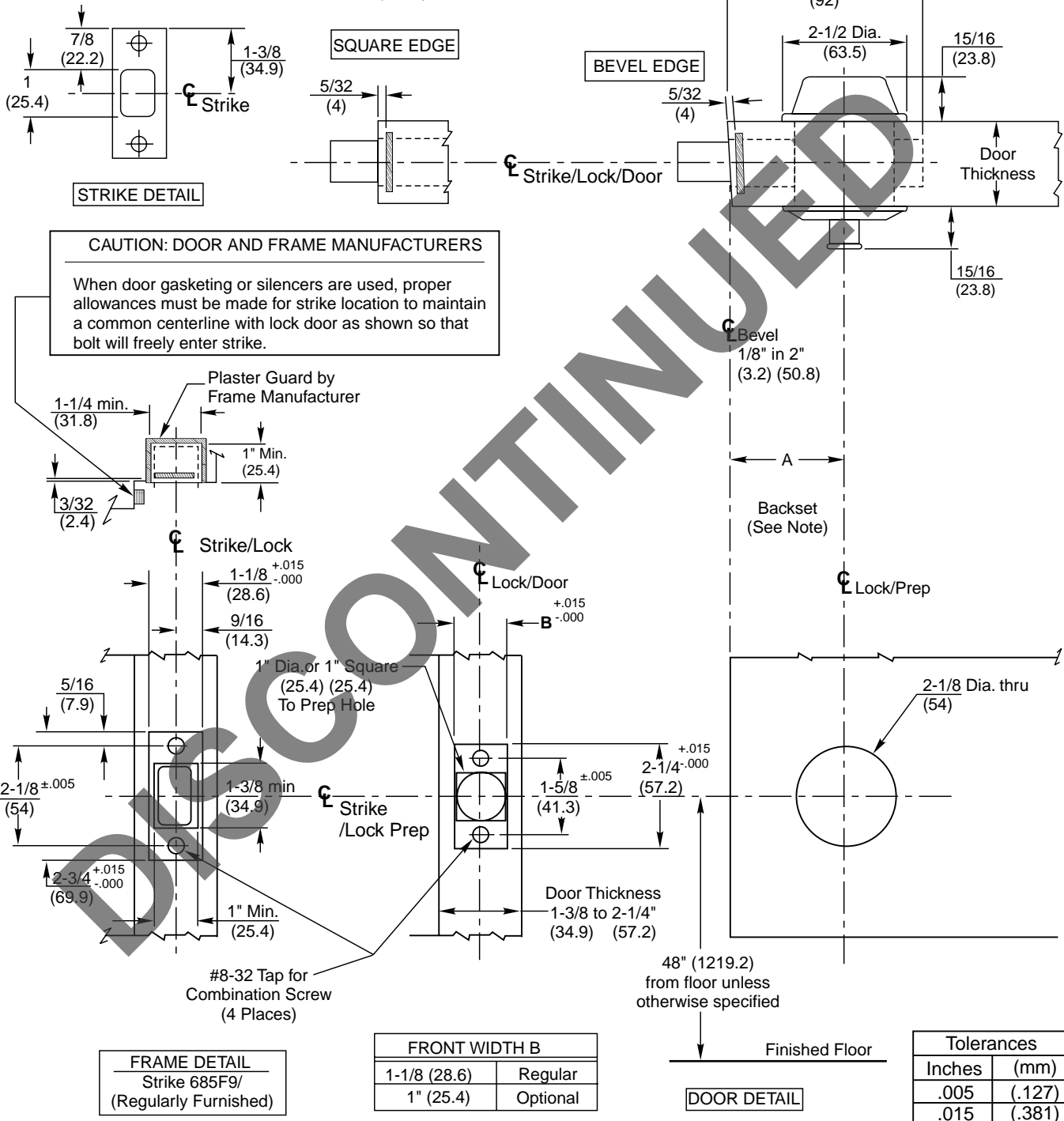


**NOTES:**

1. Backset is measured from centerline of bevel which is centerpoint of Door Thickness. "A" is adjustable for 2-3/8 (60.3) or 2-3/4 (69.3)
2. Dimensions given in inches and (mm)
3. Door prep applied to all functions.
4. Door and Frame prep with 2-3/4" (69.9) Backset and 1-1/8" 926.6) Wide Lock Front meets ANSI standard A115.13 (Steel) for Bored Deadlocks.

**TEMPLATE CROSS REFERENCE**

DESCRIPTION	TEMPLATE
686F26 Optional Strike	T30540
4237L7F ANSI Strike	T30543



**RESPONSIBILITY**

Door and Frame Manufacturers are responsible for providing adequate construction or reinforcements for proper installation of hardware shown. All architectural builders hardware must be installed on properly reinforced doors and frames, regardless of the type, material, or method of construction.

**DL 3100 Cylindrical Deadbolt**  
**DL 2100 Cylindrical Deadbolt**



www.corbinrusswin.com

Do Not Scale Drawing

Supersedes	T30689	Dr.	App.
Date	6-04	Template Number	T30689-1