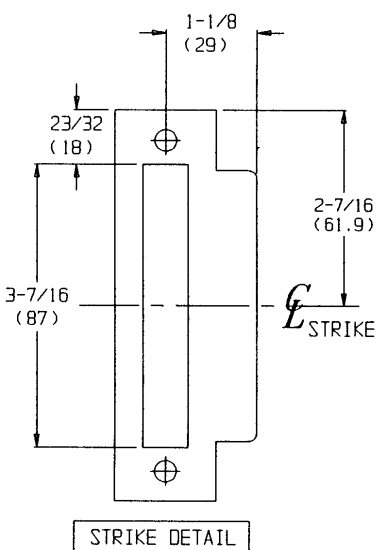
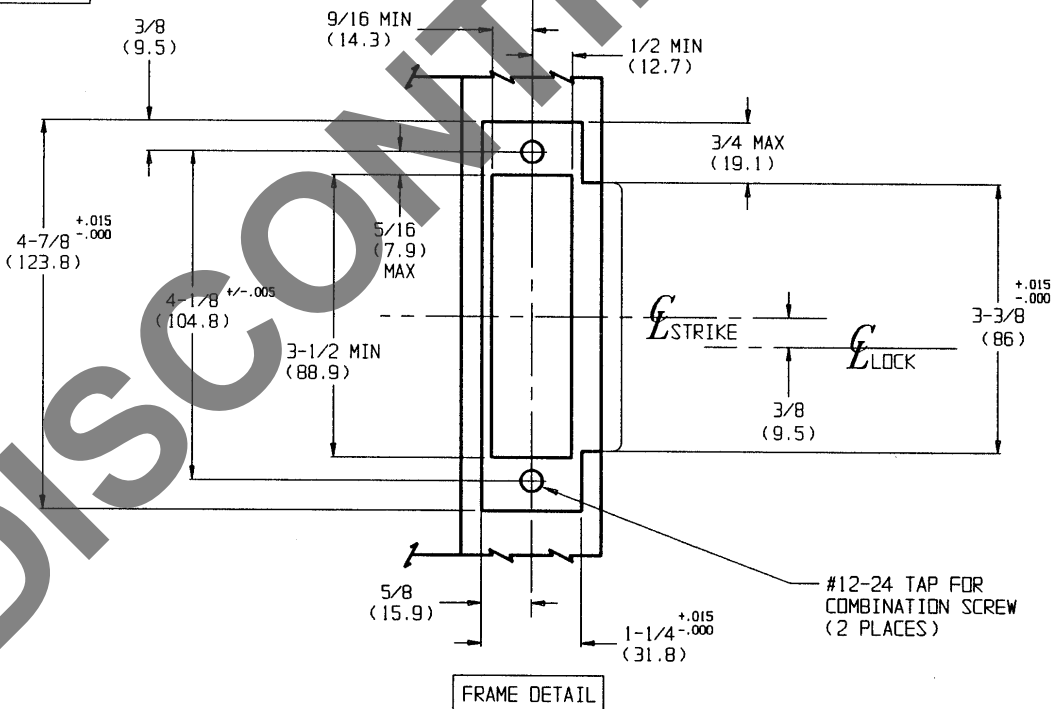
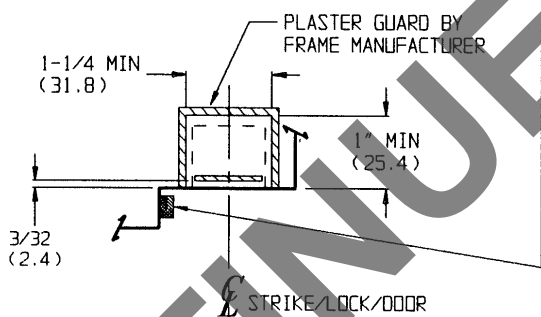


TEMPLATE CROSS REFERENCE

DESCRIPTION	TEMPLATE
DL4000 SERIES MORTISE DEADLOCK	T30541



CAUTION: DOOR AND FRAME MANUFACTURERS
 WHEN DOOR GASKETING OR SILENCERS ARE USED, PROPER ALLOWANCES MUST BE MADE FOR STRIKE LOCATION TO MAINTAIN A COMMON CENTERLINE WITH LOCK AND DOOR AS SHOWN SO THAT BOLT WILL FREELY ENTER STRIKE.



- NOTES:
1. FRAME PREP MEETS ANSI STANDARDS A115.1 (STEEL) AND A115.W1 (WOOD) FOR MORTISE LOCK STRIKES.
 2. DIMENSIONS GIVEN IN INCHES AND (MM).

TOLERANCES	
INCHES	(MM)
.005	(.127)
.015	(.381)

RESPONSIBILITY
 Door and Frame Manufacturers are responsible for providing adequate construction or reinforcements for proper installation of hardware shown. All architectural builders hardware must be installed on properly reinforced doors and frames, regardless of the type, material, or method of construction.

SS Series
 240L08 ANSI STRIKE

Corbin Russwin
 www.corbinrusswin.com

DO NOT SCALE DRAWING

SUPERSEDES: DR. DLO

DATE: 9-95 TEMPLATE NUMBER: T30657