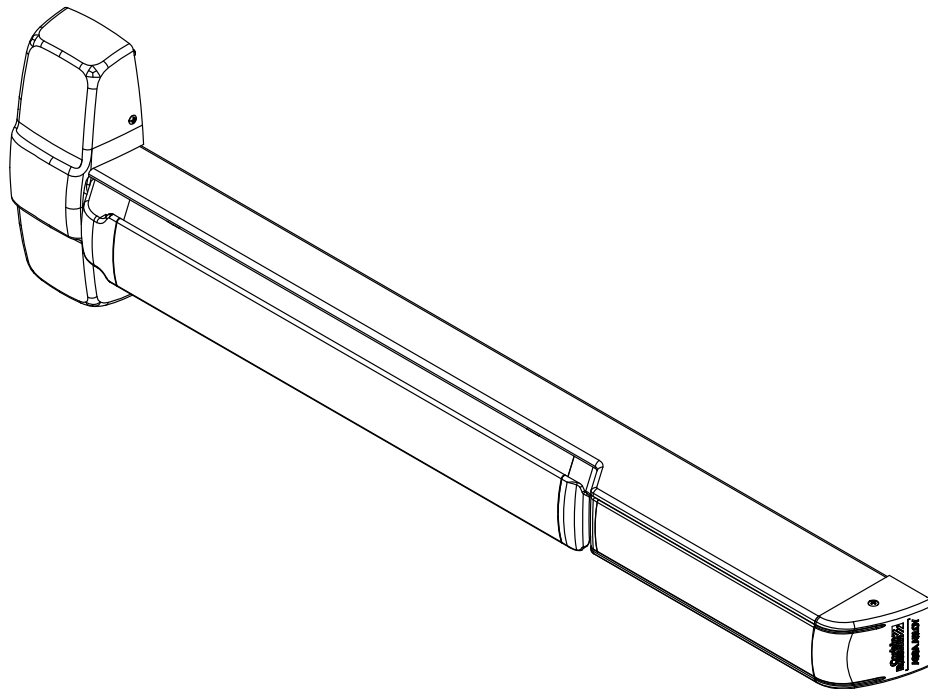


Installation Instructions



Dummy Rail

PED5000 DB & PED5000 A DB Series Exit Devices



WARNING

This product can expose you to lead which is known to the state of California to cause cancer and birth defects or other reproductive harm. For more information go to www.P65warnings.ca.gov.

WARNING

Attention Installer: Improper installation may result in damage to the product and void the factory warranty.

For installation assistance contact Corbin Russwin
1-800-543-3658 • techsupport.corbinrusswin@assaabloy.com

Copyright © 2023, ASSA ABLOY Access and Egress Hardware Group, Inc. All rights reserved. Reproduction in whole or in part without the express written permission of ASSA ABLOY Access and Egress Hardware Group, Inc. is prohibited.

FM613 01/23

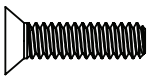


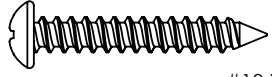
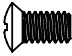
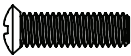
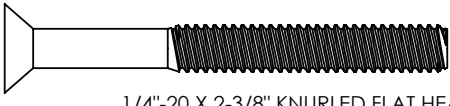
Experience a safer
and more open world

Dummy Rail

PED5000 DB & PED5000 A DB Series Exit Devices

Installation Instructions

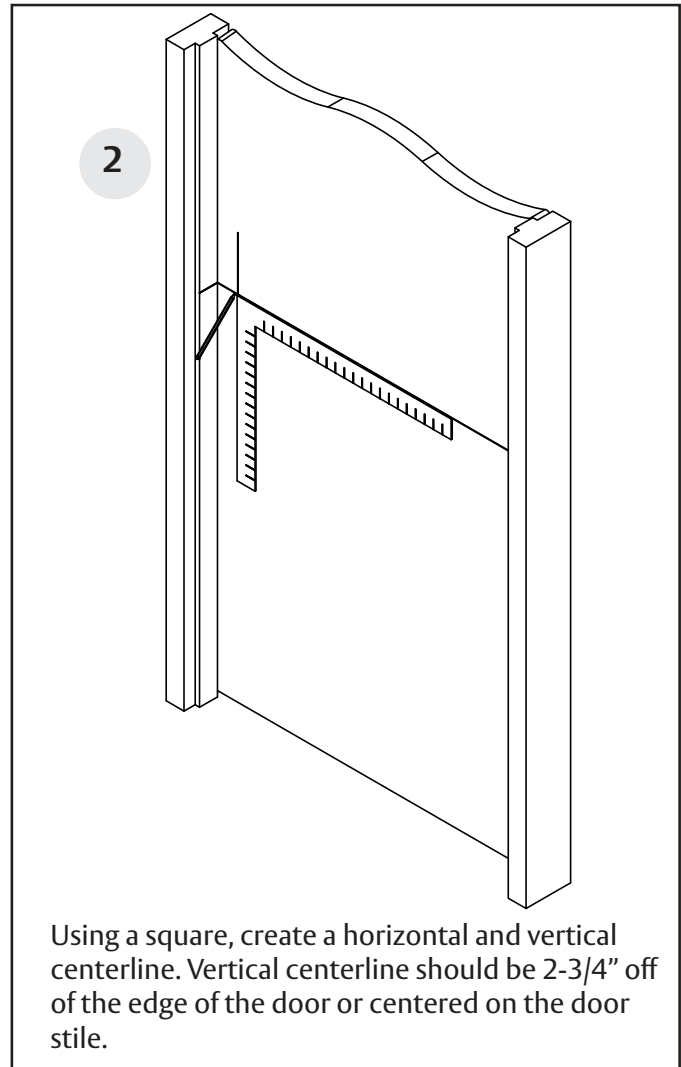
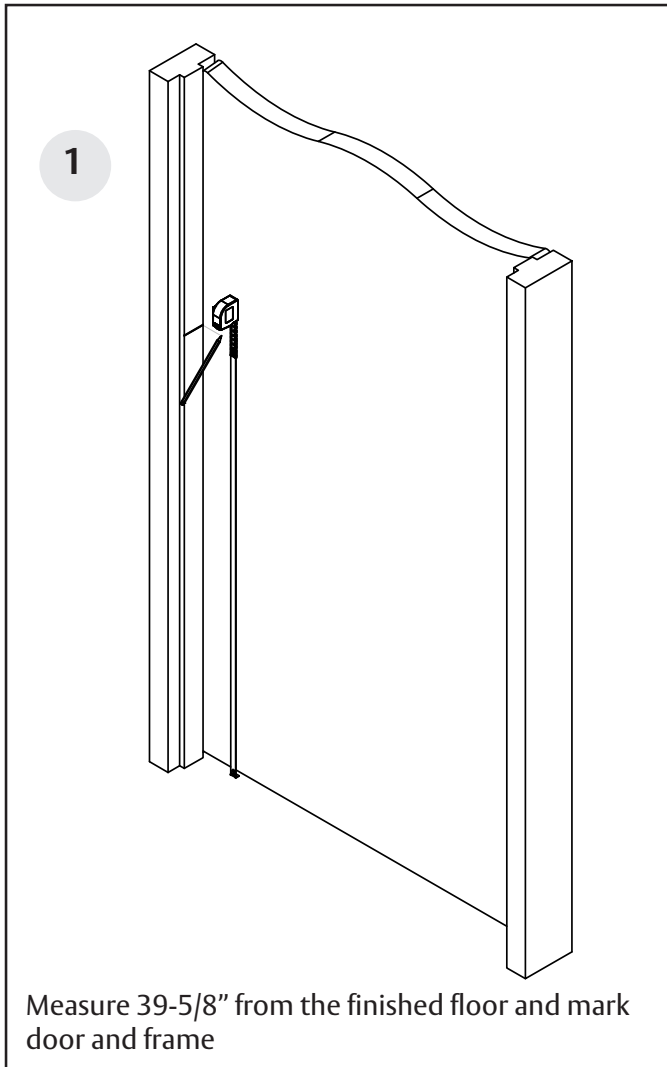
Screw Chart

DESCRIPTION	TOTAL QTY SUPPLIED	WHERE USED
 <p>#10-24 X 3/4" FLAT HEAD MACHINE SCREW</p>	4	(4) CHASSIS CORNER MOUNTING HOLES (METAL DOOR)
 <p>#10 X 1-1/4" FLAT HEAD WOOD SCREW</p>	4	(4) CHASSIS CORNER MOUNTING HOLES (WOOD DOOR)
 <p>#10-24 X 3/4" ROUND HEAD MACHINE SCREW</p>	2	(2) REAR MOUNTING PLATE (METAL DOOR)
 <p>#10 X 1-1/4" ROUND HEAD WOOD SCREW</p>	2	(2) REAR MOUNTING PLATE (WOOD DOOR)
 <p>#8-32 X 5/16" W/ #6 OVAL HEAD MACHINE SCREW</p>	4	(2) CHASSIS COVER FRAME SIDE (2) END CAP
 <p>#8-32 X 5/8" W/ #6 OVAL HEAD MACHINE SCREW</p>	2	(2) CHASSIS COVER RAIL SIDE
 <p>1/4"-20 X 2-3/8" KNURLED FLAT HEAD MACHINE SCREW</p>	2	(2) EXIT TRIM (IF USED)

Dummy Rail

PED5000 DB & PED5000 A DB Series Exit Devices

Installation Instructions



For installation assistance contact Corbin Russwin
1-800-543-3658 • techsupport.corbinrusswin@assaabloy.com

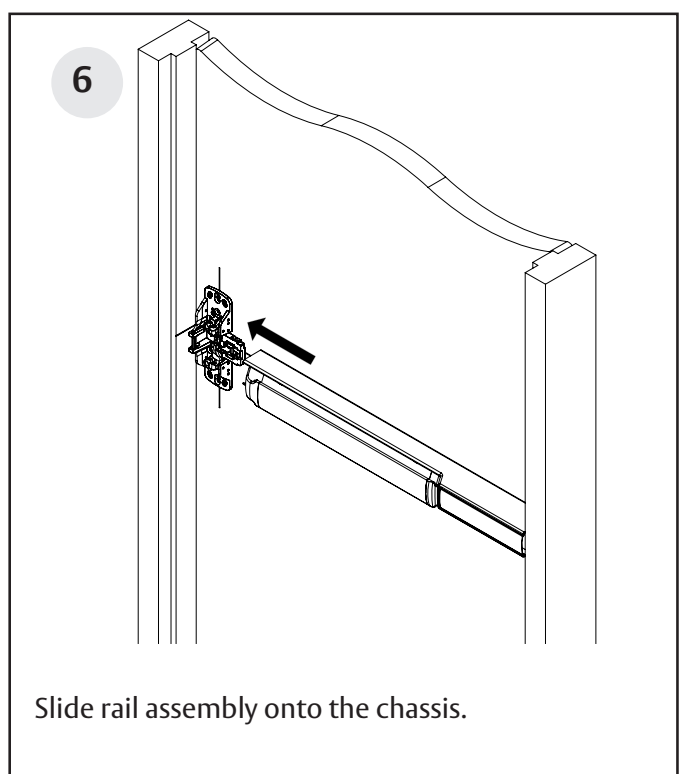
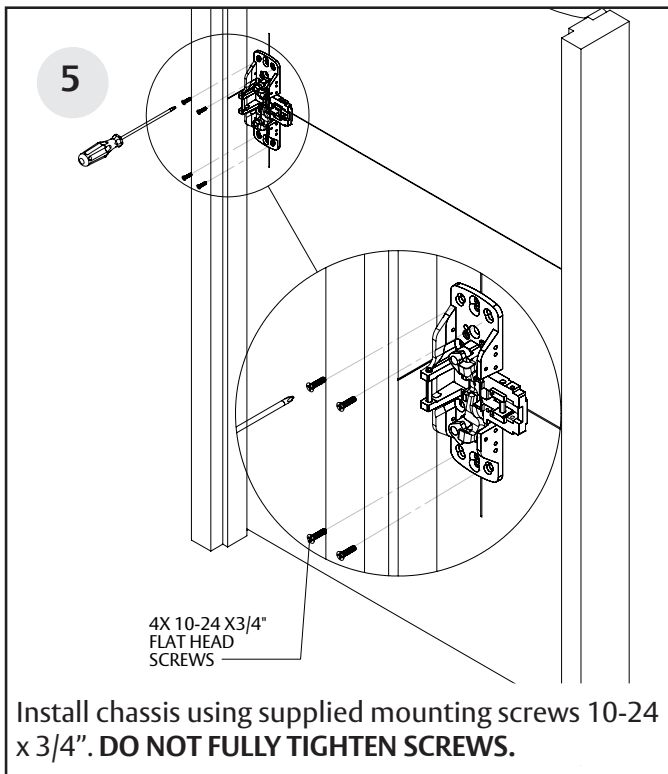
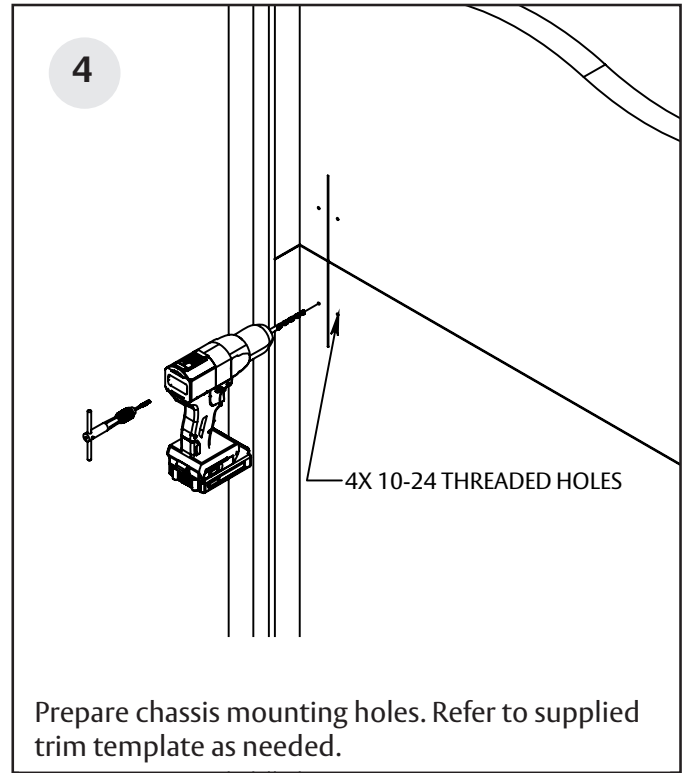
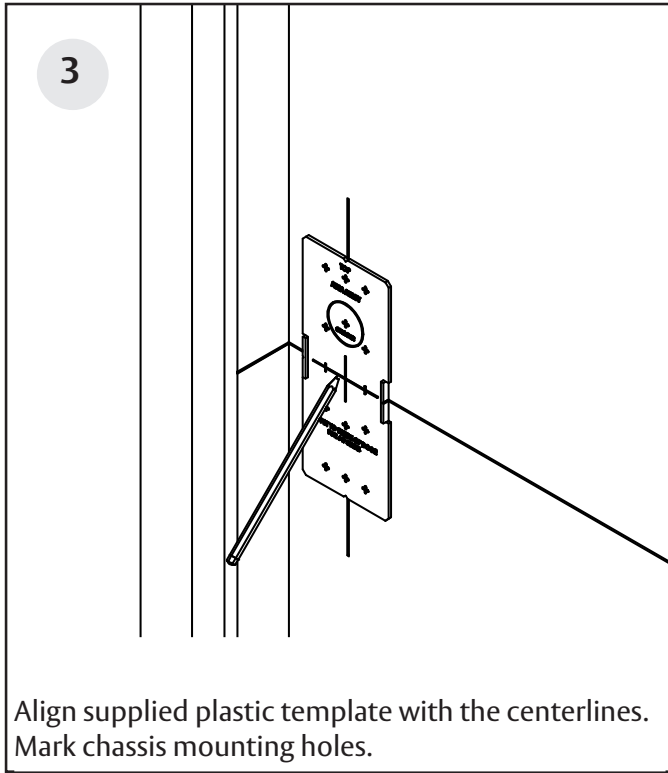
Copyright © 2023, ASSA ABLOY Access and Egress Hardware Group, Inc. All rights reserved. Reproduction in whole or in part without the express written permission of ASSA ABLOY Access and Egress Hardware Group, Inc. is prohibited.

Dummy Rail

PED5000 DB & PED5000 A DB Series Exit Devices



Installation Instructions



For installation assistance contact Corbin Russwin
1-800-543-3658 • techsupport.corbinrusswin@assaabloy.com

Copyright © 2023, ASSA ABLOY Access and Egress Hardware Group, Inc. All rights reserved. Reproduction in whole or in part without the express written permission of ASSA ABLOY Access and Egress Hardware Group, Inc. is prohibited.

Dummy Rail

PED5000 DB & PED5000 A DB Series Exit Devices



ASSA ABLOY

Installation Instructions

7

Carrier tab

Ensure rail carrier tabs are aligned with the chassis, then fully tighten the chassis screws.

8

Insert the end cap bracket into the rail assembly. Level the rail and mark mounting holds using the bracket as a guide. Ensure rail overlaps door stile by 1/2".

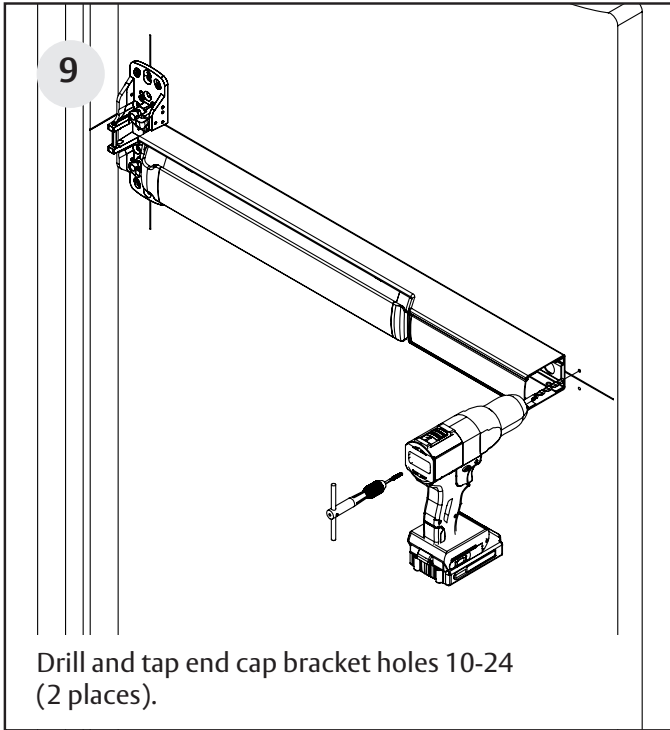
For installation assistance contact Corbin Russwin
1-800-543-3658 • techsupport.corbinrusswin@assaabloy.com

Copyright © 2023, ASSA ABLOY Access and Egress Hardware Group, Inc. All rights reserved. Reproduction in whole or in part without the express written permission of ASSA ABLOY Access and Egress Hardware Group, Inc. is prohibited.

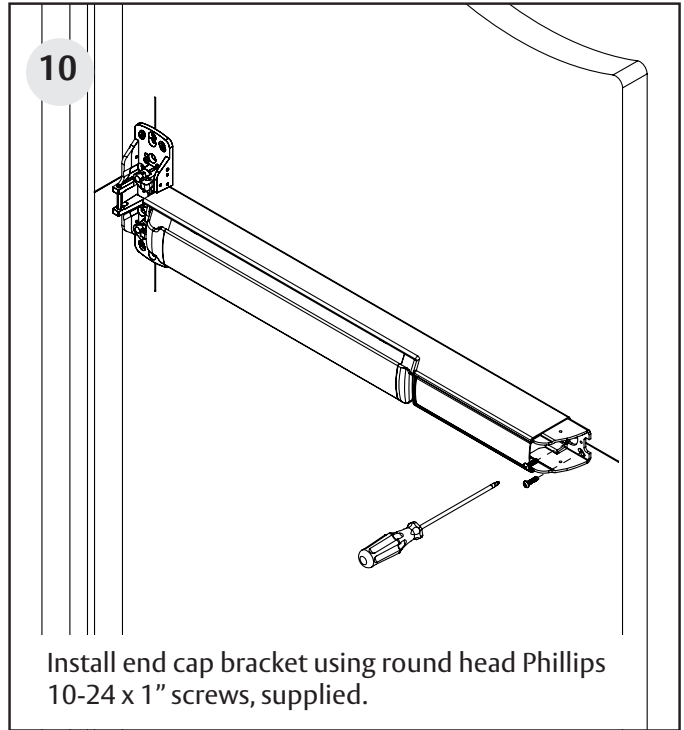
Dummy Rail

PED5000 DB & PED5000 A DB Series Exit Devices

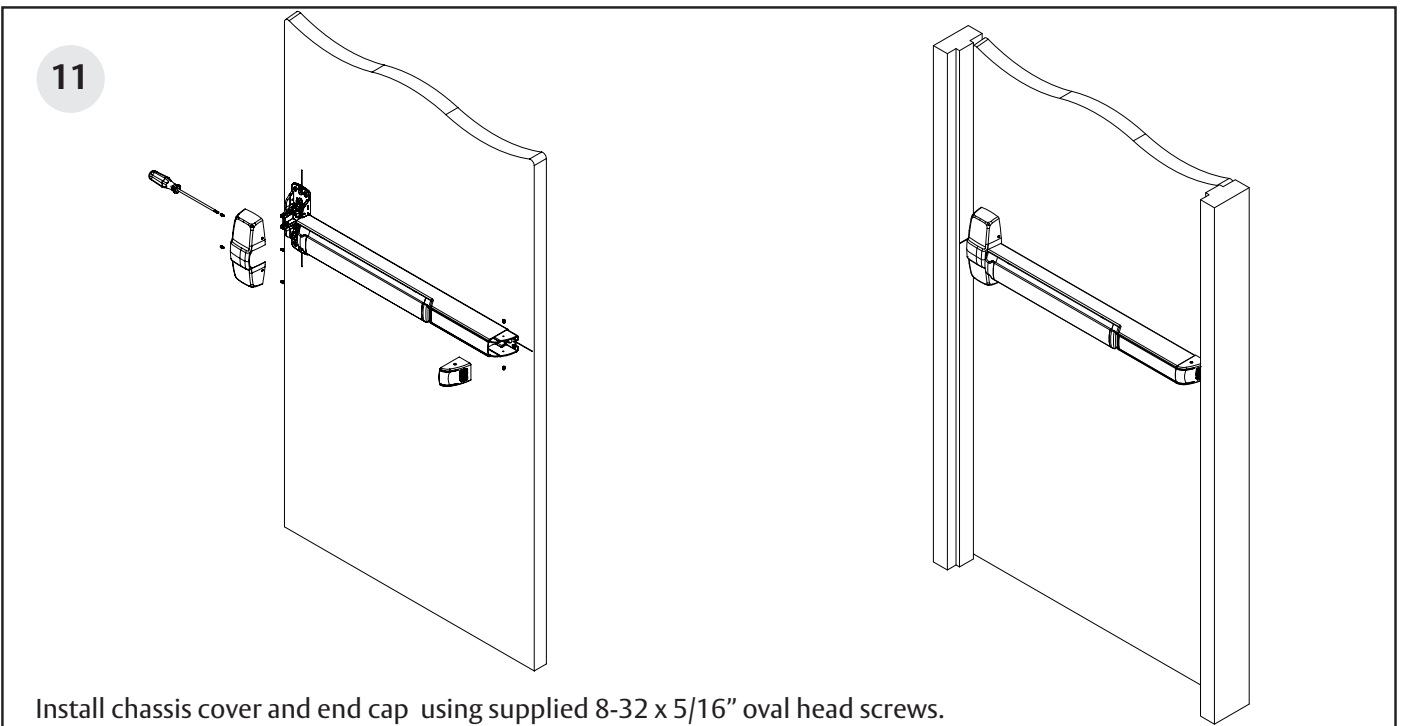
Installation Instructions



Drill and tap end cap bracket holes 10-24 (2 places).



Install end cap bracket using round head Phillips 10-24 x 1" screws, supplied.



Install chassis cover and end cap using supplied 8-32 x 5/16" oval head screws.

For installation assistance contact Corbin Russwin
1-800-543-3658 • techsupport.corbinrusswin@assaabloy.com

Copyright © 2023, ASSA ABLOY Access and Egress Hardware Group, Inc. All rights reserved. Reproduction in whole or in part without the express written permission of ASSA ABLOY Access and Egress Hardware Group, Inc. is prohibited.

Dummy Rail

PED5000 DB & PED5000 A DB Series Exit Devices

Installation Instructions



For installation assistance contact Corbin Russwin
1-800-543-3658 • techsupport.corbinrusswin@assaabloy.com

Copyright © 2023, ASSA ABLOY Access and Egress Hardware Group, Inc. All rights reserved. Reproduction in whole or in part without the express written permission of ASSA ABLOY Access and Egress Hardware Group, Inc. is prohibited.



For installation assistance contact Corbin Russwin
1-800-543-3658 • techsupport.corbinrusswin@assaabloy.com

Copyright © 2023, ASSA ABLOY Access and Egress Hardware Group, Inc. All rights reserved. Reproduction in whole or in part without the express written permission of ASSA ABLOY Access and Egress Hardware Group, Inc. is prohibited.

FM613 01/23

Experience a safer
and more open world