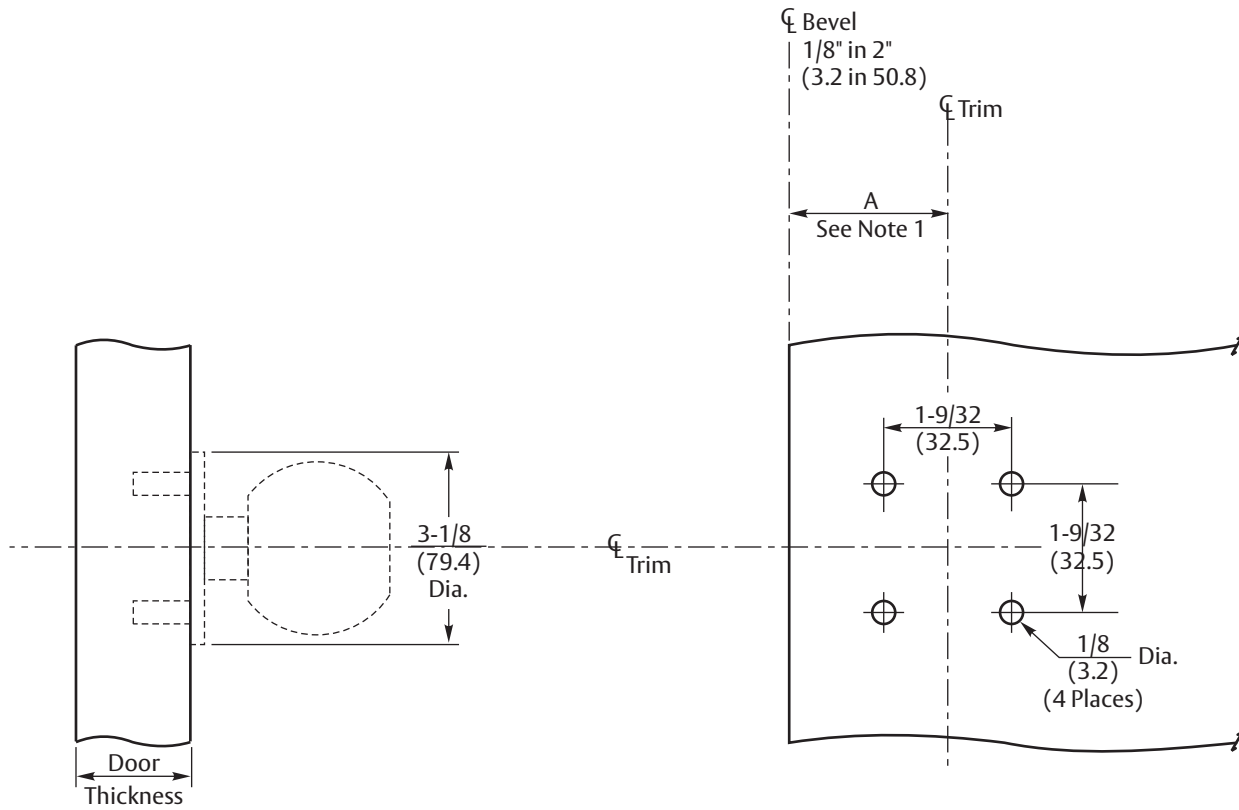


Notes:

1. Backset is measured from centerline of bevel which is centerpoint of door thickness.
2. Door prep with 2-3/4" (70) backset meets ANSI/BHMA A156.115 standards for steel doors and ANSI/BHMA A156.115W standards for wood doors.
3. Dimensions given in inches and (mm).



| Backset Dim. "A" | |
|------------------|----------|
| 2-3/4 (69.9) | Regular |
| 2-3/8 (60.3) | Optional |

RESPONSIBILITY

DOOR AND FRAME MANUFACTURERS ARE RESPONSIBLE FOR PROVIDING ADEQUATE CONSTRUCTION OR REINFORCEMENTS FOR PROPER INSTALLATION OF HARDWARE SHOWN. ALL ARCHITECTURAL BUILDERS HARDWARE MUST BE INSTALLED ON PROPERLY REINFORCED DOORS AND FRAMES, REGARDLESS OF TYPE, MATERIAL, OR METHOD OF CONSTRUCTION.

**CK4300 Series
Grade 1 Knob Locks
Dummy Trim
Wood or Metal Door Preparation
(See ANSI/BHMA A156.115)**



ASSA ABLOY

www.corbinruswin.com

| | |
|-----------------|----------------------|
| SUPERSEDES | DO NOT SCALE DRAWING |
| TEMPLATE NUMBER | DATE |
| T31239 | 03-16 |