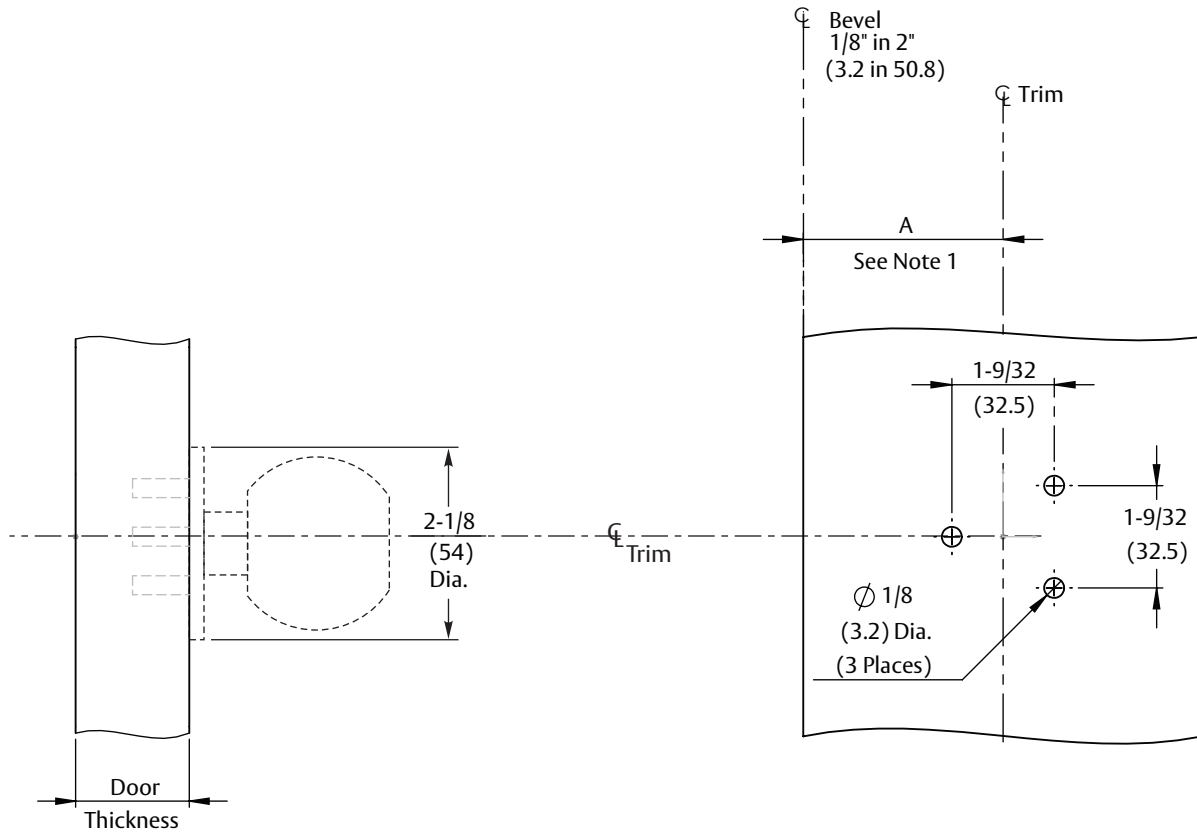


Notes:

1. Backset is measured from centerline of bevel which is centerpoint of door thickness.
2. Door prep with 2-3/4" (70) backset meets ANSI/BHMA A156.115 standards for steel doors and ANSI/BHMA A156.115W standards for wood doors.
3. Dimensions given in inches and (mm).



Backset Dim. "A"	
2-3/4 (69.9)	Regular
2-3/8 (60.3)	Optional

RESPONSIBILITY

DOOR AND FRAME MANUFACTURERS ARE RESPONSIBLE FOR PROVIDING ADEQUATE CONSTRUCTION OR REINFORCEMENTS FOR PROPER INSTALLATION OF HARDWARE SHOWN. ALL ARCHITECTURAL BUILDERS HARDWARE MUST BE INSTALLED ON PROPERLY REINFORCED DOORS AND FRAMES, REGARDLESS OF TYPE, MATERIAL, OR METHOD OF CONSTRUCTION.

**CK4800 Series  
Grade 2 Knob Locks  
Dummy Trim  
Wood or Metal Door Preparation  
(See ANSI/BHMA A156.115)**



**ASSA ABLOY**

www.corbinruswin.com

SUPERSEDES	DO NOT SCALE DRAWING	
TEMPLATE NUMBER	SHEET	DATE
T31267	1 of 1	06-22