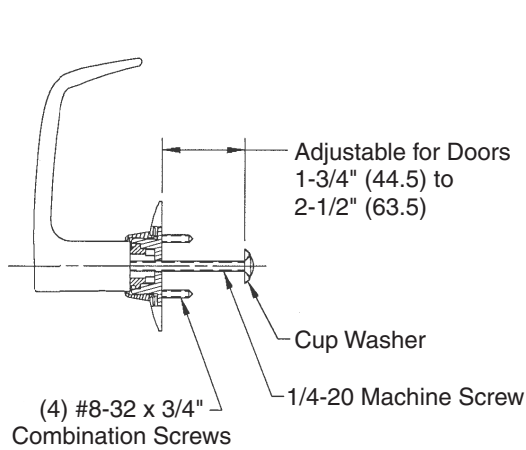


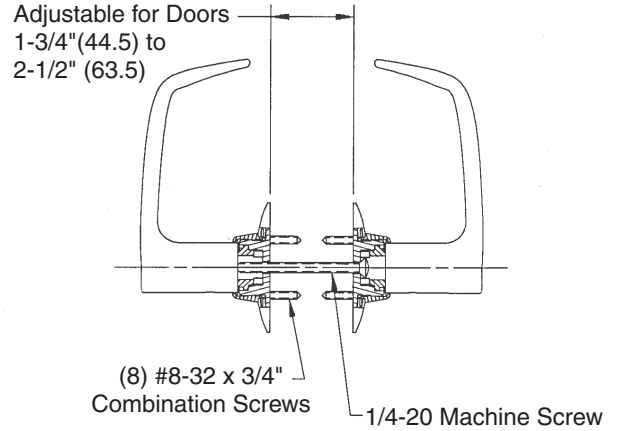
Notes:

1. Dimensions given in inches and (mm).
2. Backset is measured from centerline of bevel which is centerpoint of door thickness.
3. Rose and lever dimensions vary by design.
4. Metal door reinforcement to be at least equivalent to that shown on ANSI A115.2.

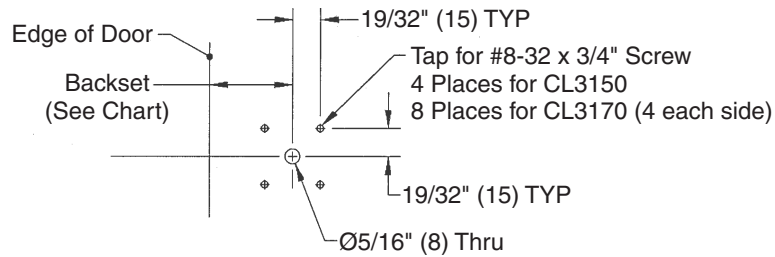
TEMPLATE CROSS REFERENCE	
DESCRIPTION	TEMPLATE
CL3100 Series VR Lever Lock	T31193



CL3150
Half Dummy Trim



CL3170
Full Dummy Trim



Suggested Detail
of Door Preparation

BACKSETS		
2-3/4" (70)	3-3/4" (95)	5" (127)
Standard	B334 Option	B500 Option

RESPONSIBILITY

DOOR AND FRAME MANUFACTURERS ARE RESPONSIBLE FOR PROVIDING ADEQUATE CONSTRUCTION OR REINFORCEMENTS FOR PROPER INSTALLATION OF HARDWARE SHOWN. ALL ARCHITECTURAL BUILDERS HARDWARE MUST BE INSTALLED ON PROPERLY REINFORCED DOORS AND FRAMES, REGARDLESS OF TYPE, MATERIAL, OR METHOD OF CONSTRUCTION.

**CL3150, CL3170
Dummy Trim**



ASSA ABLOY

www.corbinrusswin.com

SUPERSEDES	DO NOT SCALE DRAWING	
TEMPLATE NUMBER	T31194	DATE 03-12