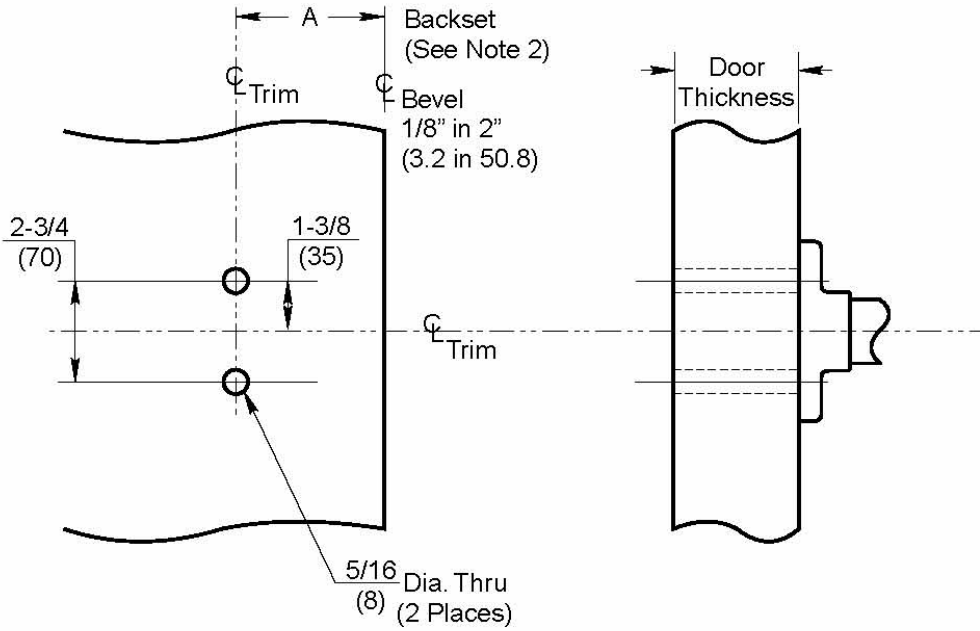


Notes:

1. Dimensions given in inches and (mm).
2. Backset is measured from centerline of bevel which is centerpoint of door thickness.

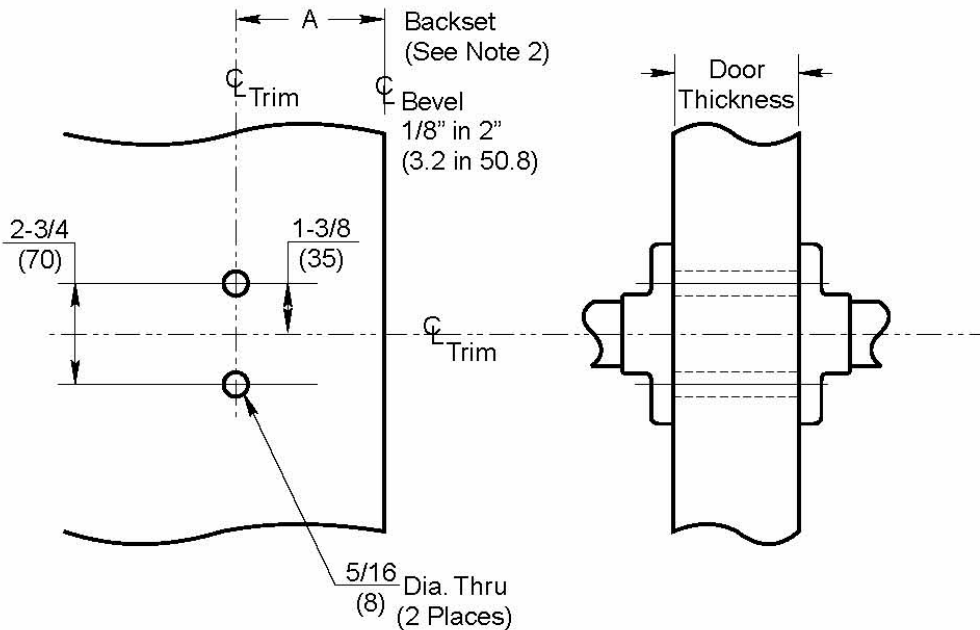
TEMPLATE CROSS REFERENCE	
DESCRIPTION	TEMPLATE
CL3300 Series Cylindrical Lever Lock	T30684
CL3500 Series Cylindrical Lever Lock	T31001
CL3800 Series Cylindrical Lever Lock	T31005

②



**HALF DUMMY TRIM**  
CL3350, CL3550, CL3850

BACKSET A	
2-3/4 (69.9)	Regular
3-3/4 (95.3)	Optional
5 (127)	



**FULL DUMMY TRIM**  
CL3370, CL3570, CL3870 ③

**RESPONSIBILITY**

Door and Frame Manufacturers are responsible for providing adequate construction or reinforcements for proper installation of hardware shown. All architectural builders hardware must be installed on properly reinforced doors and frames, regardless of the type, material, or method of construction.

**CL3350 - CL3550 - CL3850**  
**CL3370 - CL3570 - CL3870**

Dummy Trim



www.corbinrusswin.com

Do Not Scale Drawing

Supersedes T30685-2 Dr. App.

Date 7-11 Template Number T30685-3