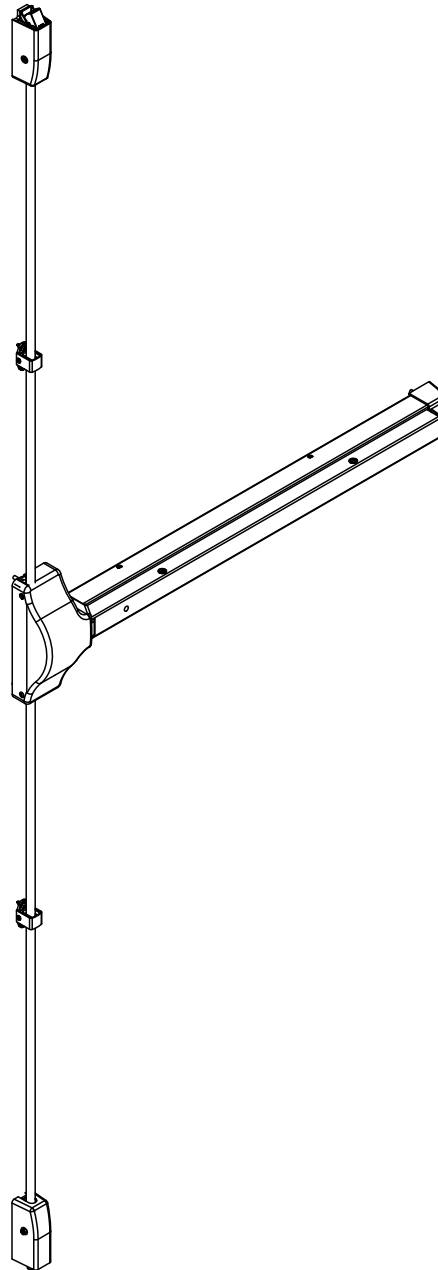


ED2400 & ED2400(A) Series Surface Vertical Rod

Exit Devices



WARNING

This product can expose you to lead which is known to the state of California to cause cancer and birth defects or other reproductive harm. For more information go to www.P65warnings.ca.gov.

TOC	Table of Contents
1	Strikes.....3
2	General Information.....4
a	Change Hands.....5
b	1/4-20 Sex Nut Option.....5
c	Rod Extention Options.....5
d	Maintenance.....5
e	Shim Kit Option.....6
3	Preparation.....7
a	Check Before Starting.....7
b	Mark Door.....8
c	Prepare Door, Frame, and Sill.....8
d	Clear Raised Door Molding.....9
e	Size Device.....9
4	Installation..... 10
a	Install Device..... 10
b	Set Latches, Strikes, and Guides..... 11
c	Prepare Rods..... 11
d	Complete Installation..... 13
e	Plastic Installation Template for ED2400 Exit devices..... 14

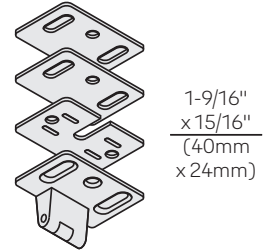
Exit Devices

Installation Instructions

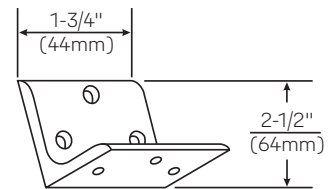
1 Strikes

Top Strikes

650F54 Standard top strike for 2400(A) devices. Supplied with #10-24 x 3/4" machine screws, two shims (each 1/16" thick), and one locking plate.

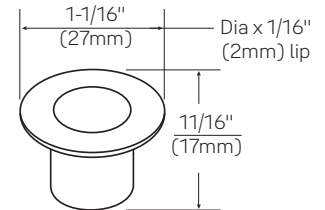


797 Optional bracket for mounting 650F54 top strike in flush transom opening. Supplied with 1/4 - 20 machine screws, SN-134 sex nuts, optional.

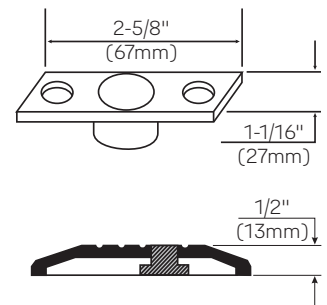


Bottom Strikes

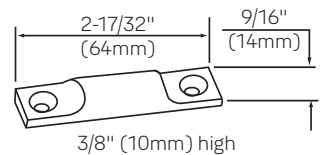
790 Standard bottom strike for 2400(A) devices. Press in place.



S09 Optional bottom strike for fire openings using saddle thresholds or for flush floor mount. Must use for fire openings with 1/2" thresholds. Supplied with #10-24 x 1/2" machine screws and floor anchors.



702 Optional bottom strike for bottom pullman latch option. Supplied with #8 x 8/32" combination screws.



Note: All dimensions are in inches unless otherwise noted.

ED2400 & ED2400(A) Series Surface Vertical Rod



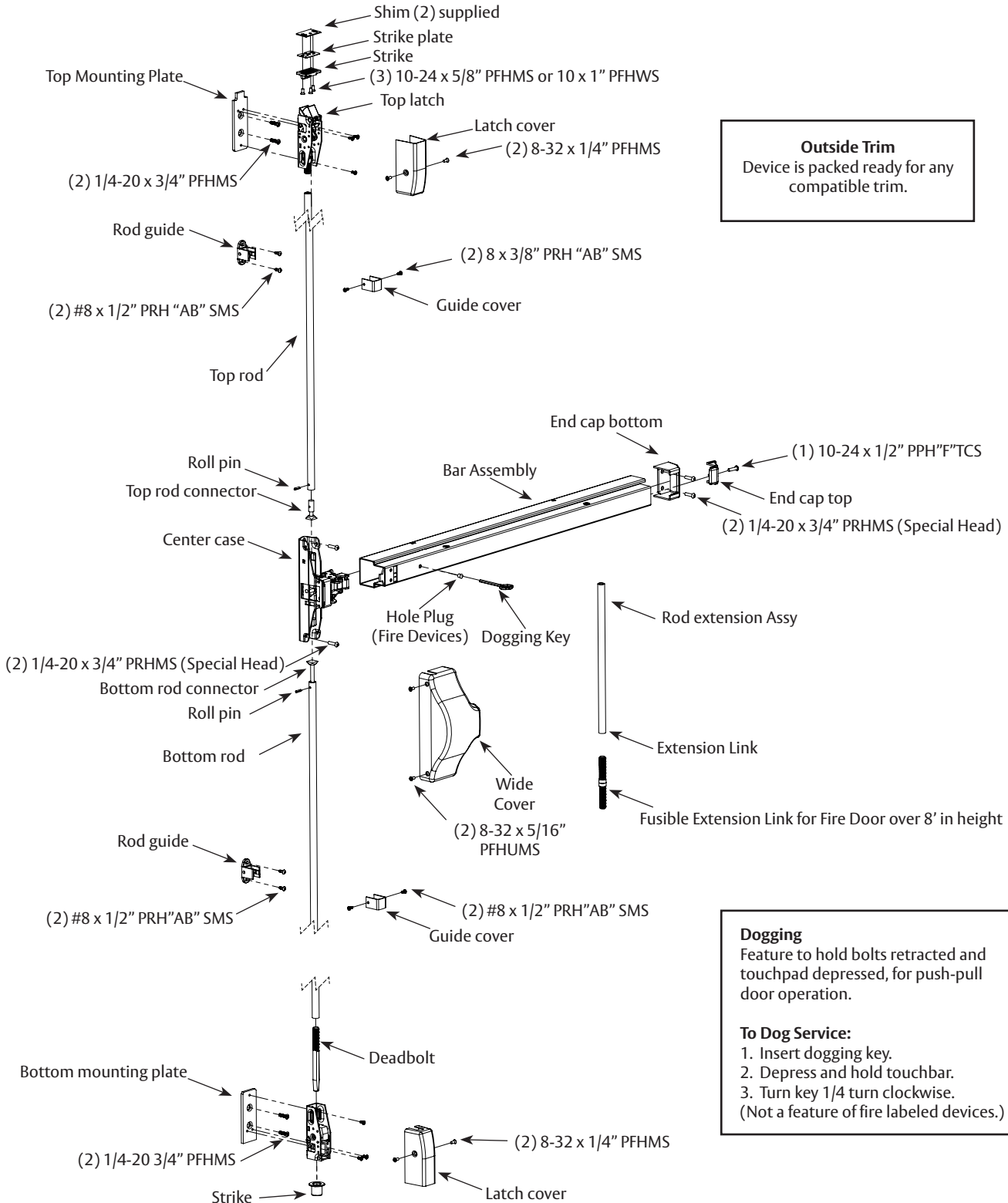
Exit Devices

ASSA ABLOY

Installation Instructions

2

General Information



Outside Trim
Device is packed ready for any compatible trim.

Dogging
Feature to hold bolts retracted and touchpad depressed, for push-pull door operation.

To Dog Service:
1. Insert dogging key.
2. Depress and hold touchbar.
3. Turn key 1/4 turn clockwise.
(Not a feature of fire labeled devices.)

Exit Devices

Installation Instructions

2 General Information, continued

a Change Hands

Remove four (4) screws and vertical lifter assembly. Rotate device to opposite hand (180°). Insert lifter assembly under lift block and re-install screws.

Note

Lifter must fit under lift block as shown. (1)

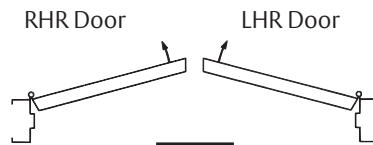
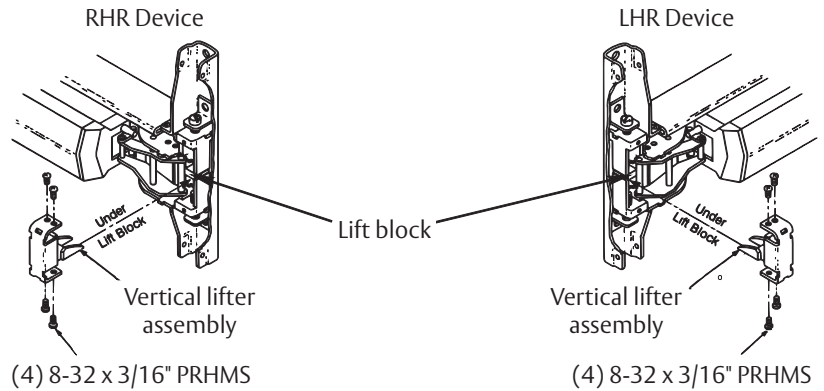


Figure 1

b 1/4-20 Sex Nut Option

Device	Quantity	Size
No trim	8	1/4 - 20
With trim	6	

Recommended for wood composite or unreinforced metal doors. (Figure 2)

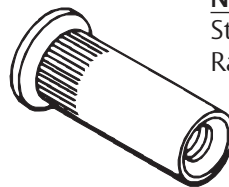


Figure 2

Note

Standard for Fire Rated doors.

c Rod Extension Options

- 2" (51 mm)
- 6" (152 mm)
- 12" (305 mm)



Figure 3

2

General Information, continued

d Maintenance

1. Periodically remove covers and coat mechanisms with a silicone-based lubricant. This is particularly required in corrosive environments for proper product function.
2. Check mounting fasteners periodically. Retighten if found loose. Apply screw locking compound (available at automotive part stores) or change part fasteners if screws continue to back out.
3. Periodic checks (and adjustments) of strikes are required to compensate for changes in the opening (e.g. door sagging).

e Shim Kit Option

867F508 Black Finish

- Kit consists of (2) Latch Head Shims (Device Cover seats on shim) and (2) End Clamp Shims (End Cap seats on shim), (2) Top and Bottom Latch Shims (Bolt Case Mounting Plates seat on shim), and (4) Rod Guide Shims.
- Each shim is 1/8" (3.2 mm) thick. More than two shim thicknesses 1/4" (6.4 mm), require longer device mounting screws (not included)

3 Preparation

- a Check the following before starting installation

Unreinforced Doors or Frames (Figure 5)

- Doors and Frames with walls having a structural thickness (metal skin plus reinforcement or solid hardwood) to engage less than (3) full screw threads are considered unreinforced.
- Unreinforced Doors: Use SNB (sex nuts and bolts).
- Unreinforced Frames: Use Blind Rivet Nuts.
- Recommended fasteners for unreinforced openings are not necessarily supplied by Corbin Russwin (Figure 4).

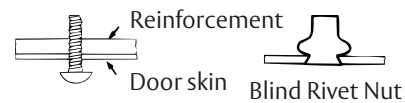


Figure 4

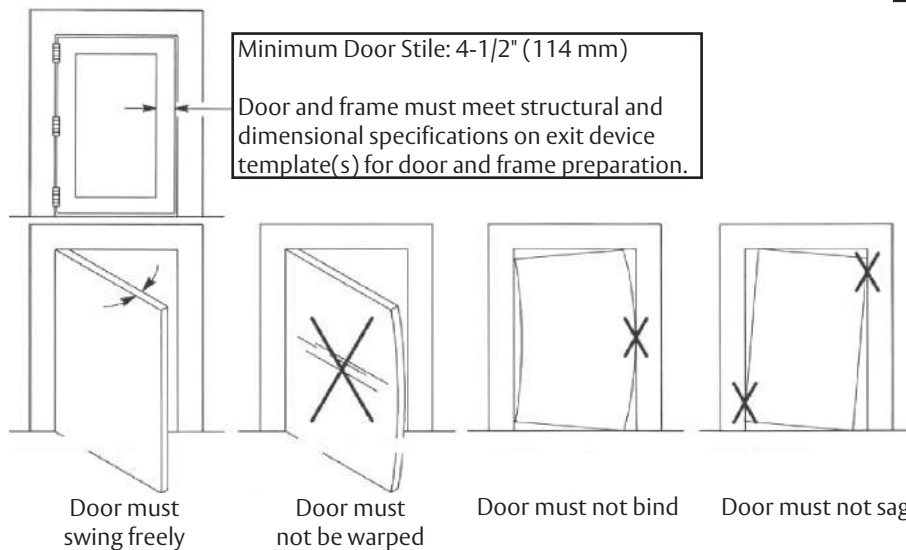


Figure 5

Exit Devices

Installation Instructions

3 Preparation

b Mark Door

Locate and mark horizontal and vertical centerlines as shown. (Figure 6)

LHR door shown. Preparation is typical for both door hands.

Caution: If device is mounted higher or lower than shown, rod length must change. Lengthen or cut top and bottom rods as shown in Step 4c.

c Prepare Door, Frame, and Sill

1. Locate Device Template aligning VERTICAL REFERENCE and HORIZONTAL REFERENCE lines on door and template. Tape template to door face. (Figure 7)
2. Extend centerline of Rod and Strikes from Device Template to top and bottom of door.
3. Locate Top Latch/Strike, Bottom Case, and Bottom Strike templates, aligned on centerline of Rods and Strikes on door. Tape templates in place and mark holes.
4. Locate and tape Trim Template to door (see instructions with Trim).
5. Mark and prepare holes per installation template:
 - Device and Bolt Case Plates:
Each: (2) 1/4-20 Machine Screws for metal reinforced doors
OR (2) 3/8" (10 mm) Dia. Sex Nuts & Bolts.
 - Top Strike ED2400 Series: (2) 10-24 Machine Screws
ED5470 Series: (4) 10-24 Machine Screws.
 - Bottom Strike: 5/8" (16 mm) Dia. 3/4" (19 mm) Deep hole.

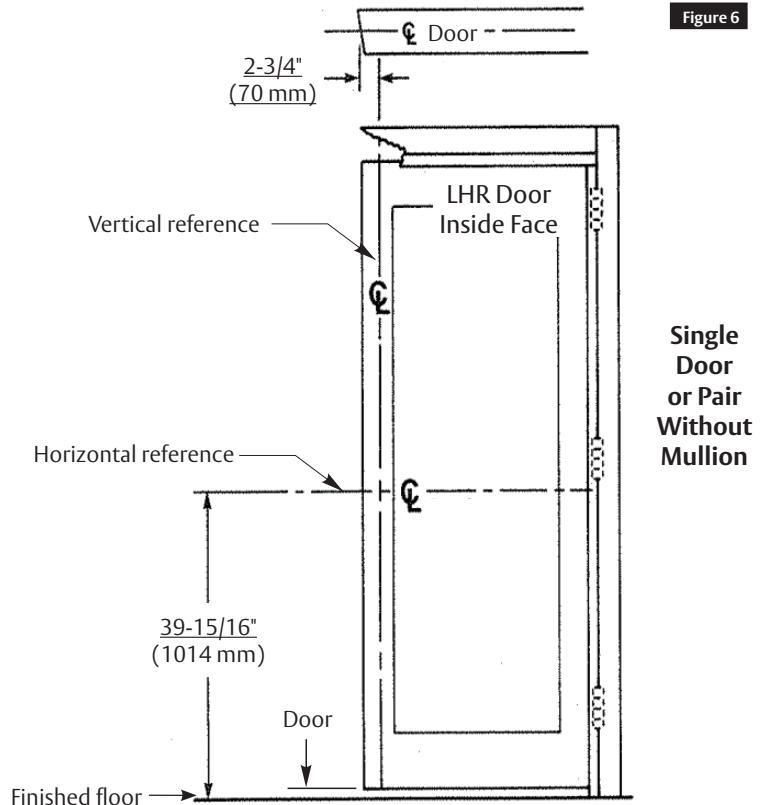


Figure 6

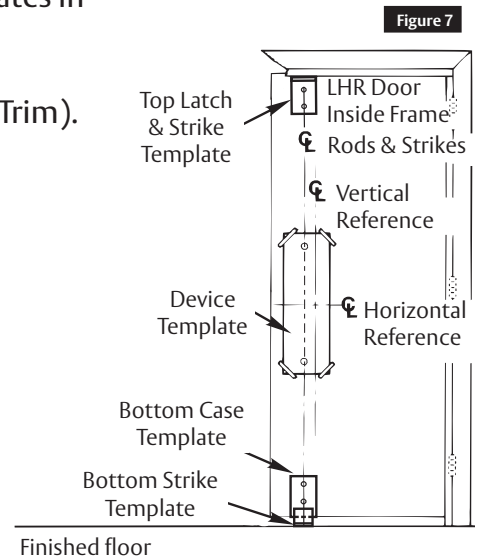


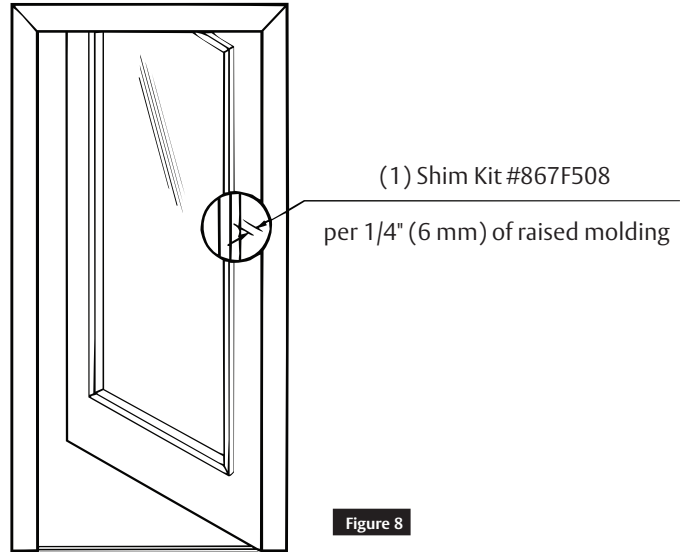
Figure 7

3 Preparation, continued

d Clear Raised Door Molding

Device must seat flush on door surface or on the shims that keep it parallel to door face. (Figure 8)

Longer mounting screws are needed when more than (2) shims of 1/8" thick are used. See Shim Kit Option in Step 2e.



e Size Device

LHR Door Open 90 Inside Face (Figure 9)

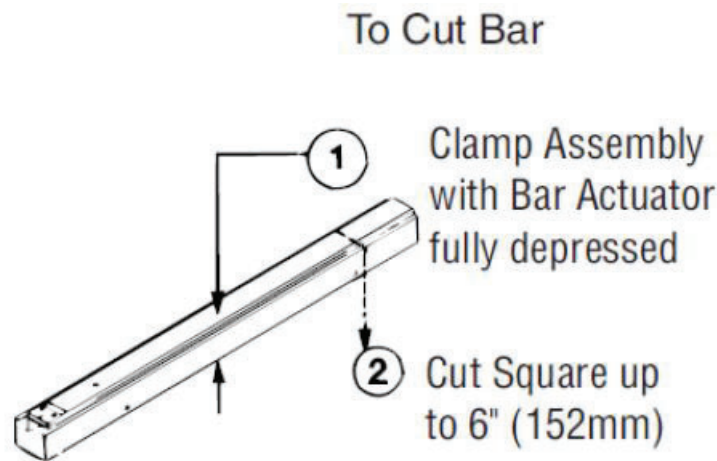
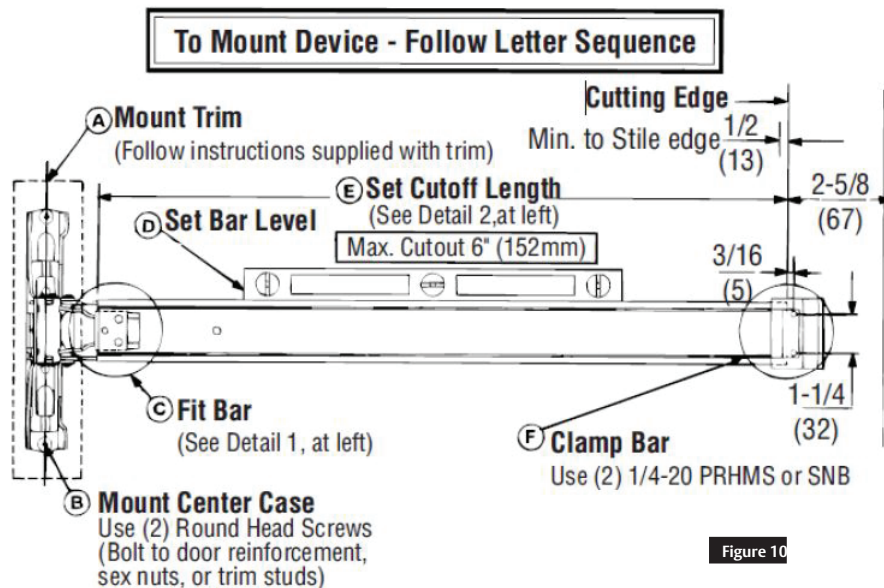


Figure 9

4 Installation

a Install Device

1. Mount trim (Follow instructions with trim).
2. Seat bar in place. Fasten device head (2 PRHMS or SNB). (Figure 10)
3. Set bar level. Locate end clamp holes.
4. Prepare end clamp mounting holes. Mount end clamp (2 #1/4-20 PRHMS or 3/8" (10 mm) dia. SNB).
5. Check slide action (Slide travel = 9/16" (14 mm)).



- Depress touchbar (slide should move up). Release touchbar (slide should fall back to original rest position).
- Activate trim (slide should move up). Release trim activator (slide should fall back to rest position).
- NOT FOR FIRE DEVICES - Depress touchbar, turn dogging key clockwise (bar must remain depressed, slide must remain in up position). Turn dogging key counterclockwise (bar should extend, slide should fall back to rest position).

6. Tighten all mounting screws.

Exit Devices

Installation Instructions

4 Installation, continued

b Set Latches, Strikes, and Guides

Top Strike Detail

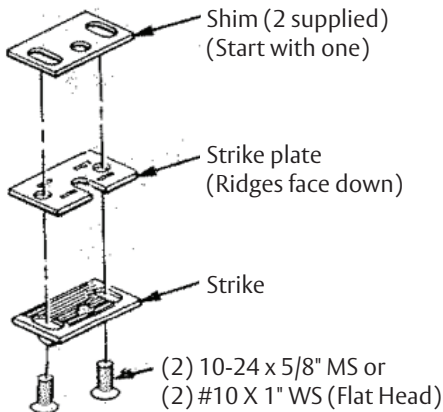


Figure 11

c Prepare Rods

Top Rod (Figure 12)

- Ready for 84" (2134 mm) Openings

Openings Under 84" (2134mm)

For top rod cutoff length, deduct opening height from 84" (2132 mm).

Example:

Opening = 80" (2032 mm)

$84 - 80 = 4"$ or $(2134 \text{ mm}) - (2032 \text{ mm}) = (102 \text{ mm})$

Top rod must be cut 4" (102 mm).

Openings Over 84" (2134mm)

For top rod additional length, deduct 84" (2134 mm) from opening height.

Example:

Opening = 99" (2515 mm)

$99 - 84 = 15"$ or $(2515 \text{ mm}) - (2134 \text{ mm}) =$

(381 mm)

The top rod must be lengthened 15" (381 mm).

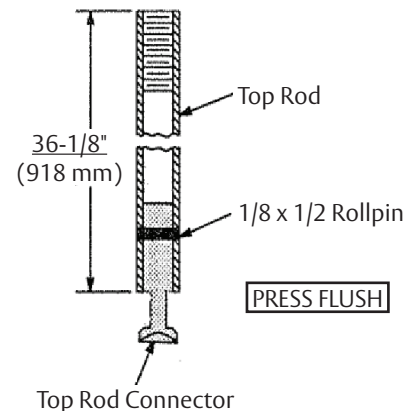


Figure 12

Exit Devices

Installation Instructions

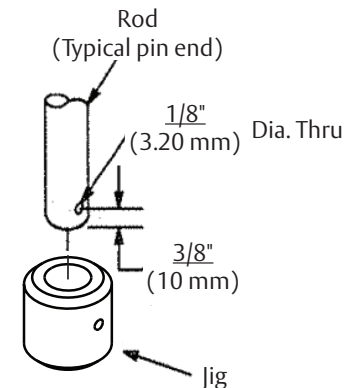
4 Installation, continued

c Prepare Rods

To Lengthen Rods (Figure 13)

Figure 13

- Use Rod Extension(s) to extend Rod to length needed or longer (2", 6", 12", or 24" Rod Extensions available).
- Cut excess length from end of rod with pin hole.
- Apply screw locking compound (available at automotive parts store) to Rod Extension(s) male threads. Thread Extension(s) until seated tight over Rod.



To Cut Rods (Figure 14)

- Cut from the end with pin hole. NEVER CUT THREADED END.
- Press jig until it bottoms over Rod.
- Drill 1/8" (3 mm) dia. hole thru, 3/8" (10 mm) from end of Rod.

Bottom Rods (Figure 18)

- Ready for 39-15/16" (1014 mm) Floor to device center.

To Lower Device

- Bottom Rod cutoff length is distance that device was lowered below 39-15/16" (1014 mm).
- Add to top rod a length equal to the bottom rod cut.

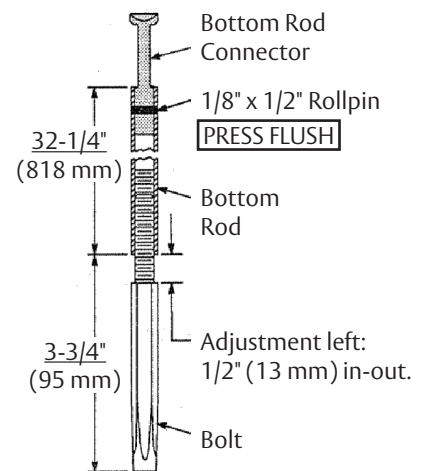


Figure 14

Example:

Device at 36" (914 mm) from floor

$39\text{-}15/16'' - 36'' = 3\text{-}15/16''$ (100 mm)

The top rod must be lengthened 3-15/16" (100 mm)

Exit Devices

Installation Instructions

4 Installation, continued

d Complete Installation

1. Install rods as shown. (Figure 15)
2. Set strike roller between tripping lever and bolt. Adjust and shim strike as needed.
3. Test device action by touchbar, by trim, and by dogging. **ADJUST AS NEEDED.** Upper bolt should retract 1/2" (12 mm). Bolts extend when door shuts and top strike hits tripping lever.
4. Adjust bottom rod (tilt rod out and turn).
5. Adjust top rod (tilt rod out and turn).
6. After acceptable device function, install third screw in top strike to lock strike in position (ED2400). 10-24 x 5/8" FHMS.
7. Install latch covers, rod guide covers, and device cover.

See page 4 for fastener specifications.

Maintenance:

1. Periodically remove covers and coat mechanisms with a silicone base lubricant. This is particularly required in corrosive environments for proper product function.
2. Check mounting fasteners periodically. Retighten if found loose. Apply screw locking compound (available at automotive part stores) or change part fasteners if screws continue to back up.
3. Periodic checks (and adjustments) of rods is required to compensate for changes in the opening (e.g. door sagging).

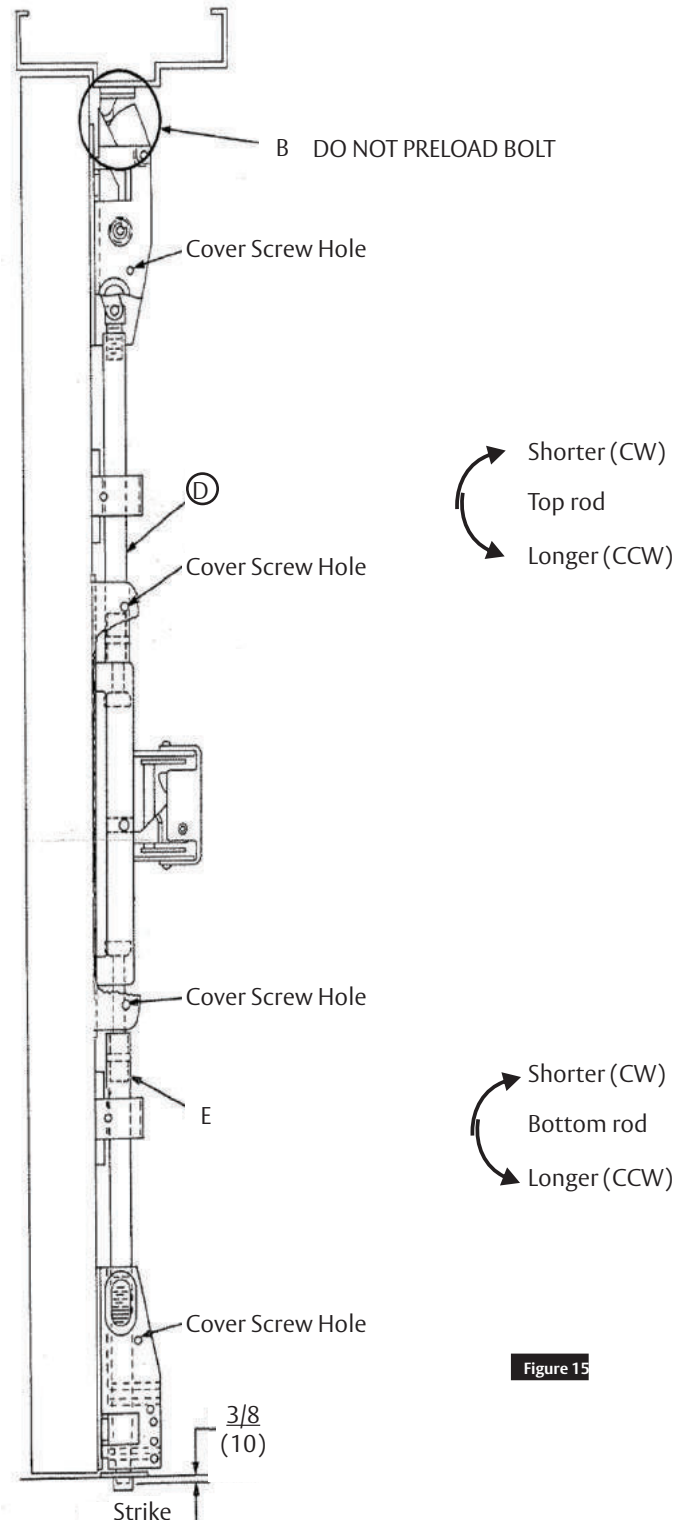
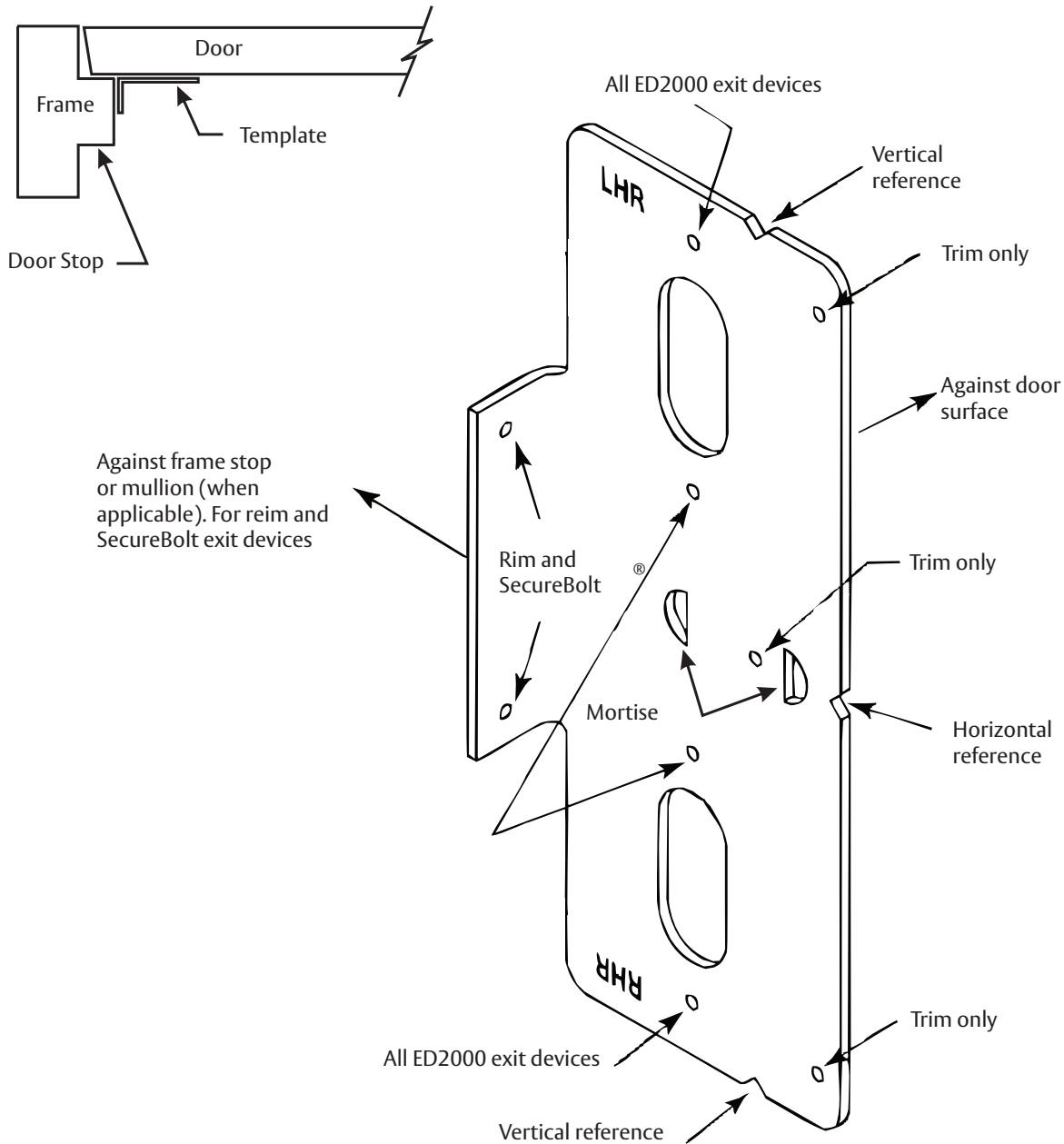


Figure 15

4 Installation, continued

e Plastic installation template for ED2400 Exit Devices



ED2400 & ED2400(A) Series Surface Vertical Rod

Exit Devices

Installation Instructions



The ASSA ABLOY Group is the global leader in access solutions. Every day, we help billions of people experience a more open world.

ASSA ABLOY Opening Solutions leads the development within door openings and products for access solutions in homes, businesses and institutions. Our offering includes doors, frames, door and window hardware, locks, perimeter fencing, access control and service.



Corbin Russwin, Inc.
225 Episcopal Road
Berlin, CT 06037 USA
Phone: 800-543-3558
Fax: 800-447-6714
www.corbinrusswin.com

Corbin Russwin is a brand associated with ASSA ABLOY Access and Egress Hardware Group, Inc., an ASSA ABLOY Group company. Copyright © 2022 ASSA ABLOY Access and Egress Hardware Group, Inc. All rights reserved. Reproduction in whole or in part without the express written permission of ASSA ABLOY Access and Egress Hardware Group, Inc. is prohibited.

For installation assistance contact Corbin Russwin
1-800-543-3658 • techsupport.corbinrusswin@assaabloy.com

FM572 10/22