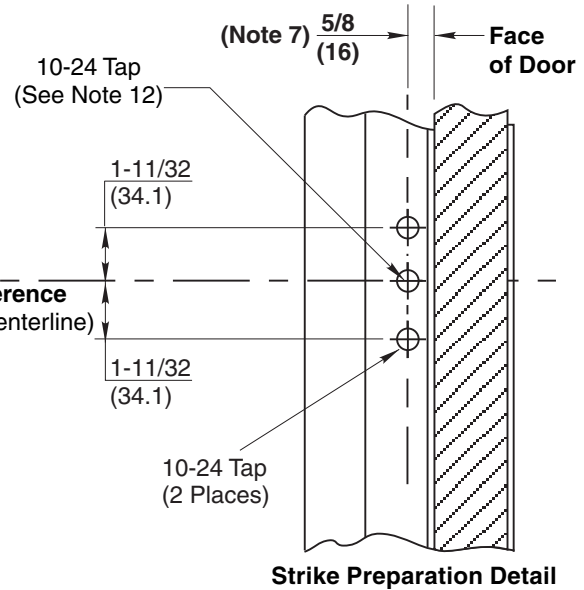
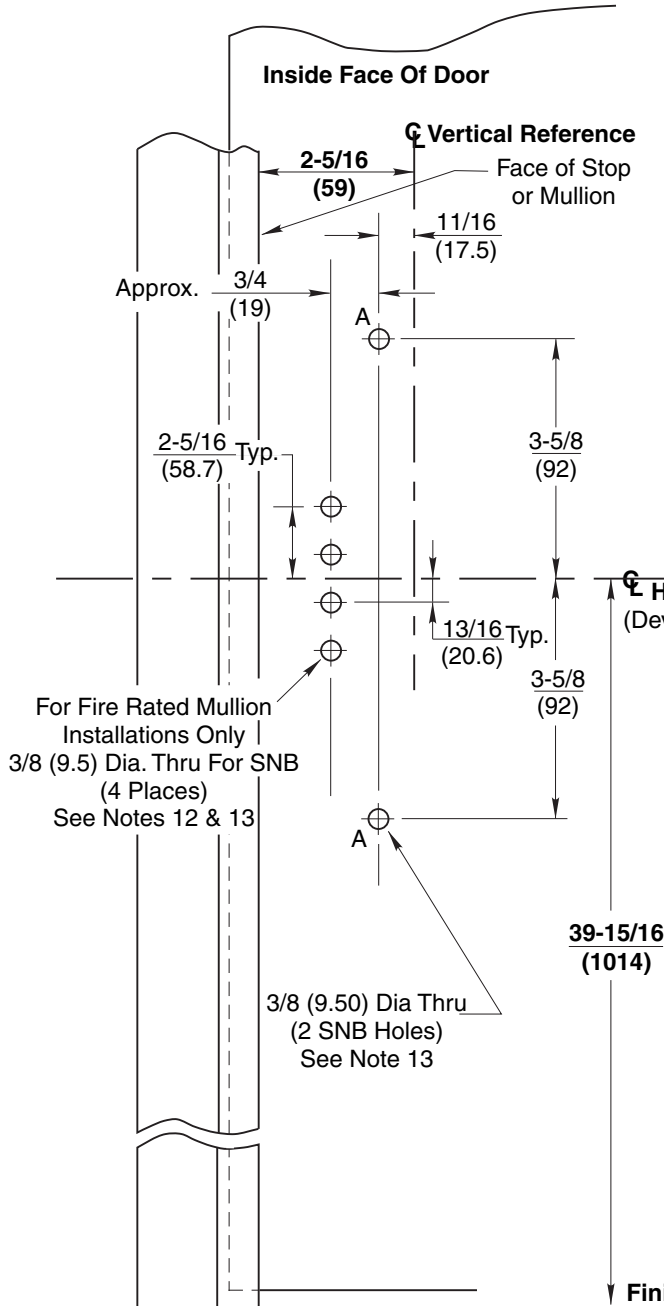


Strike Reinforcement
(See Note 6)

Notes:

1. Do not scale drawing.
2. Dimensions are in inches (mm).
3. LHR door shown. Preparation is typical for both door hands.
4. Minimum door stile width: 4-1/2(114).
5. Prepare mounting holes when installing the device.
6. Unreinforced frames require blind rivet nuts (by others) to mount the strike.
7. Dimension from door face.
8. For outside trim preparation see appropriate trim template.
9. Provide adequate structural support to maintain door integrity after device installation with power tools, door use, or abuse.
10. Device mount to hinge stile (not shown) requires hole location and preparation during device installation. Door structural requirements are similar for both door stiles.
11. For electrical devices (suffixes M91, M92, M93, M94, M97) also see template T30890.
12. This hole(s) MUST be field located using physical part as template, after installation is complete and device is fully operational.
13. Wood screws (by others) permitted for solid core wood doors if pilot holes are used for installation, when door label allows its use. Device: #14x1-1/4"RHWS, interlock: #10x1-1/4" FHWS.



FRAME TEMPLATE	MULLION		
	SERIES	SIZE	ILLUSTRATION
T31074	900 Series	2" x 3" (51 x 76)	
T31075	FE700 Series WS700 Series		

CAUTION: Width of mullion used with exit device will affect device backset. Determine Mullion Series and Width before prepping doors for exit devices.

RESPONSIBILITY
DOOR AND FRAME MANUFACTURERS ARE RESPONSIBLE FOR PROVIDING ADEQUATE CONSTRUCTION OR REINFORCEMENTS FOR PROPER INSTALLATION OF HARDWARE SHOWN. ALL ARCHITECTURAL BUILDERS HARDWARE MUST BE INSTALLED ON PROPERLY REINFORCED DOORS AND FRAMES, REGARDLESS OF TYPE, MATERIAL, OR METHOD OF CONSTRUCTION.

**ED2200A and ED5200A Series
Rim Fire Exit Devices
with 650F30 Strike**
Application for Fire Labeled Wood or Composite Door and H.M. Frame or Mullion

Corbin Russwin®
ASSA ABLOY
www.corbinrusswin.com

SUPERSEDES T30836-3 DO NOT SCALE DRAWING
TEMPLATE NUMBER T30836-4 SHEET 1 of 1 DATE 10/22