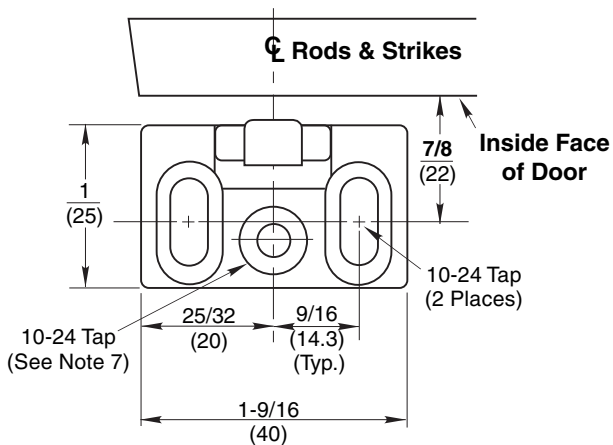
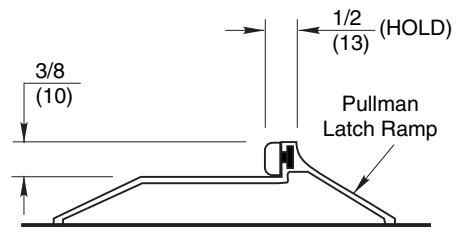
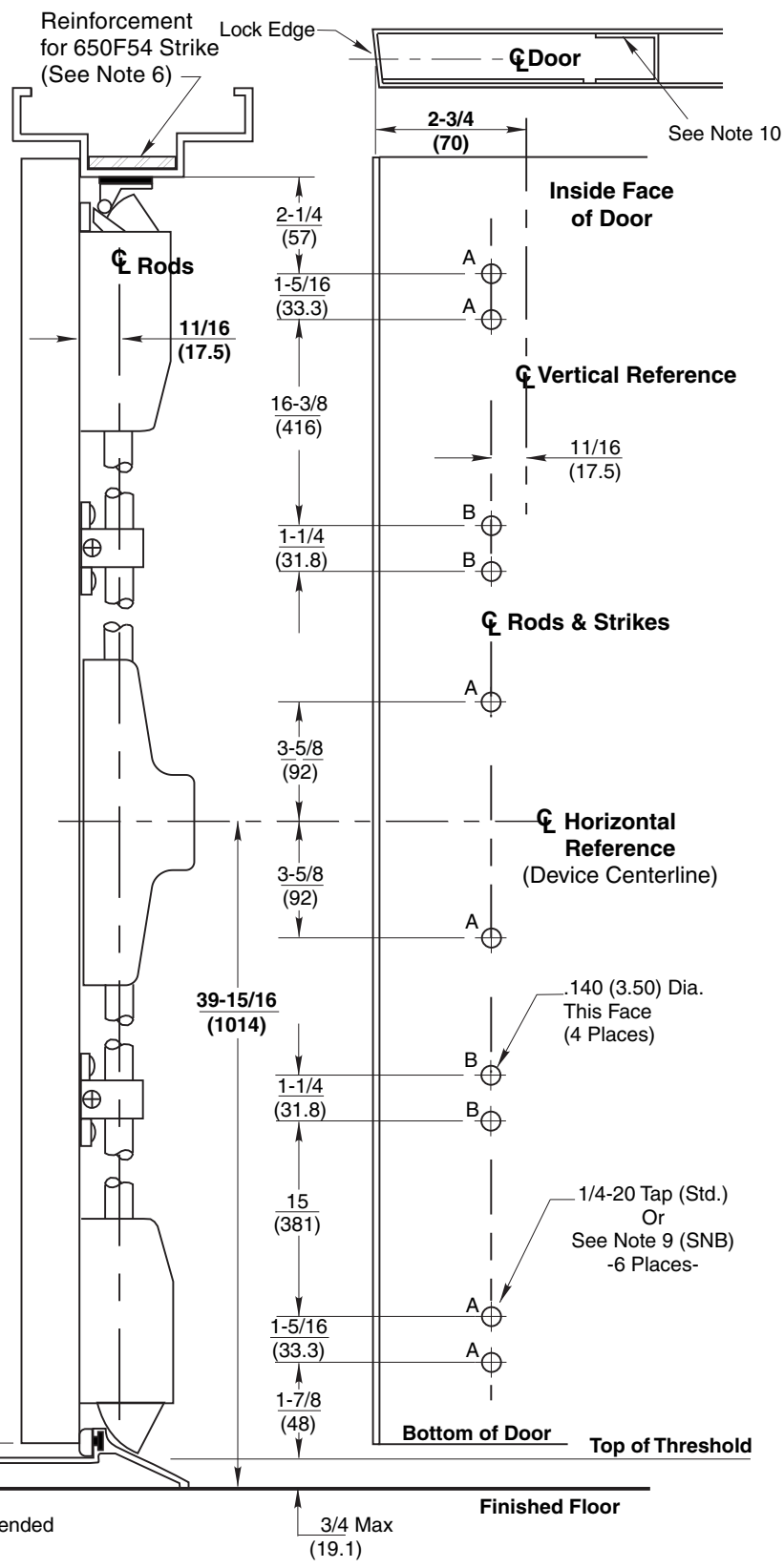


650F54 STRIKE DETAIL



- Notes:**
1. Do not scale drawing.
 2. Dimensions are in inches (mm).
 3. LHR door shown. Preparation is typical for both door hands.
 4. Minimum door stile width 4-1/2 (114).
 5. Prepare mounting holes when installing the device.
 6. Unreinforced frames require blind rivet nuts (by others) to mount the strike.
 7. This hole **MUST** be field located using physical part as template, after installation is complete and device is fully operational.
 8. For recommended door reinforcements see template T30800. Unreinforced doors require SNB option to mount the device components.
 9. Holes for optional SNB: 9/32 (7.00) dia. inside door face; 3/8 (9.50) dia. outside door face.
 10. Provide door stiffeners, as needed to prevent door collapse due to installation with power tools, door use, or abuse.
 11. Device mount to hinge stile (not shown) requires hole location and preparation during device installation.
 12. For outside trim preparation see appropriate trim template.



PANIC TYPE LATCHING THRESHOLD TYPICAL DETAIL

RESPONSIBILITY
 DOOR AND FRAME MANUFACTURERS ARE RESPONSIBLE FOR PROVIDING ADEQUATE CONSTRUCTION OR REINFORCEMENTS FOR PROPER INSTALLATION OF HARDWARE SHOWN. ALL ARCHITECTURAL BUILDERS HARDWARE MUST BE INSTALLED ON PROPERLY REINFORCED DOORS AND FRAMES, REGARDLESS OF TYPE, MATERIAL, OR METHOD OF CONSTRUCTION.

ED2400 & ED2400A
Surface Vertical Rod Panic Exit Devices with Bottom Pullman Latch Option
 Application for Metal Door and Frame with Latching Threshold

Corbin Russwin
ASSA ABLOY
 www.corbinrusswin.com

SUPERSEDES	DO NOT SCALE DRAWING	
TEMPLATE NUMBER	T31259	SHEET 1 of 10/22