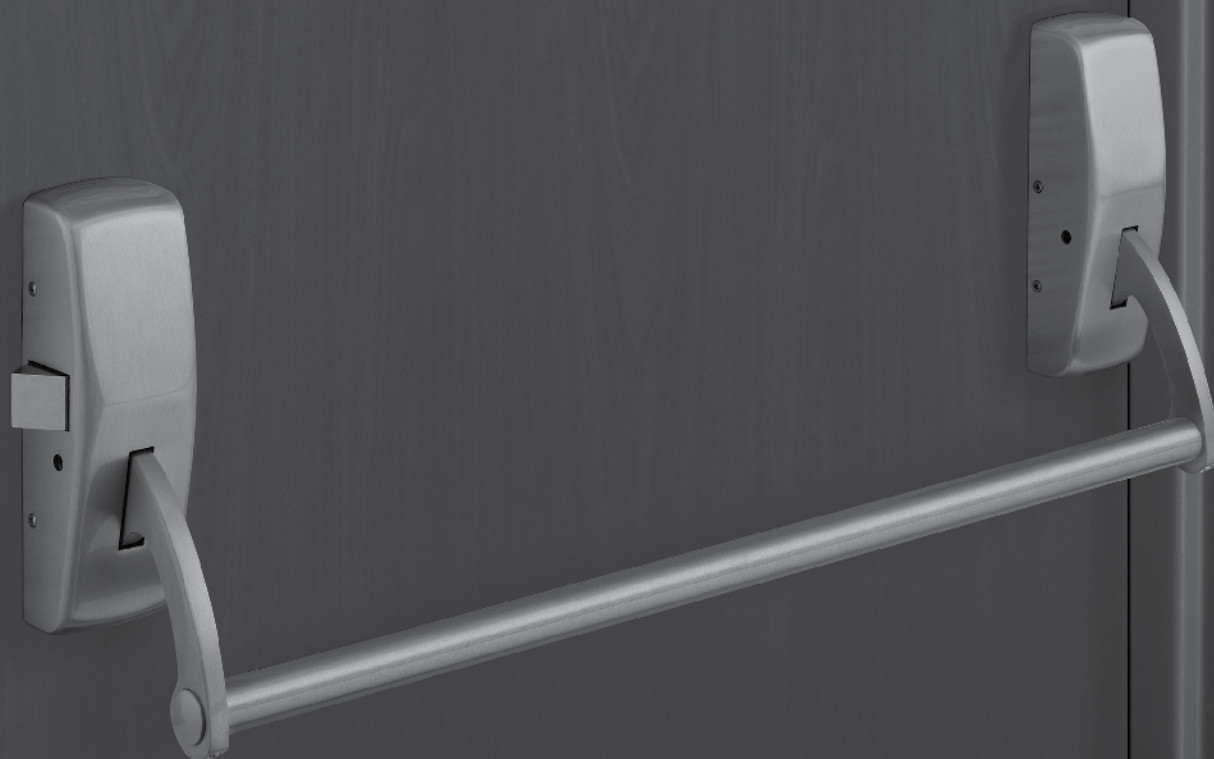


ED3000 Series

Exit Device Parts Manual



Functions 3
 ED3200 Series Rim Exit Device 4
 ED3200A Series Rim Exit Device - Fire Rated 5
 ED3400 Series Surface Vertical Rod Exit Device 6-7
 ED3400A Series Surface Vertical Rod Exit Device - Fire Rated 8-9
 ED3600 Series Mortise Exit Device 10
 ED3600A Series Mortise Exit Device - Fire Rated 11
 Trim 12-13
 Offset Pull Trims 14
 Strikes 16-17
 Mullions 18
 Cylinders 19-20

How to Order Parts

1. In order to simplify the ordering procedure and maintain regulatory compliance, parts are only available as listed
2. To order parts, provide the appropriate quantity, part number, finish, hand (when required) and description as directed and illustrated below.
 For example, use the following configuration to order:
 A) ten active cases in satin chrome
 B) one crossbar in bright brass

	Quantity	Part Number	Finish	Hand	Description
A	10	786F77	626	—	ED3410T Active Case - Dummy Function
B	1	787F08	605	—	Crossbar

For assistance, contact your authorized Corbin Russwin distributor, sales agency or visit our website at [www .corbinrusswin .com](http://www.corbinrusswin.com) .

Finishes

	Description	Specify
US3	Bright Brass	605
US4	Satin Brass	606
US9	Bright Bronze	611
US10	Satin Bronze	612
US10B	Dark Oxidized Satin Bronze, oil rubbed	613
US10BE	Dark Oxidized Satin Bronze - Equivalent	613E
US14	Bright Nickel Plated	618 ¹
US15	Satin Nickel Plated	619 ¹
US26	Bright Chromium Plated	625 ¹
US26D	Satin Chromium Plated	626 ¹
	Satin Chromium Plated with MicroShield 	626C ¹
US32	Bright Stainless Steel	629 ²
US32D	Satin Stainless Steel	630 ²
—	Satin Stainless Steel with MicroShield® 	630C ²

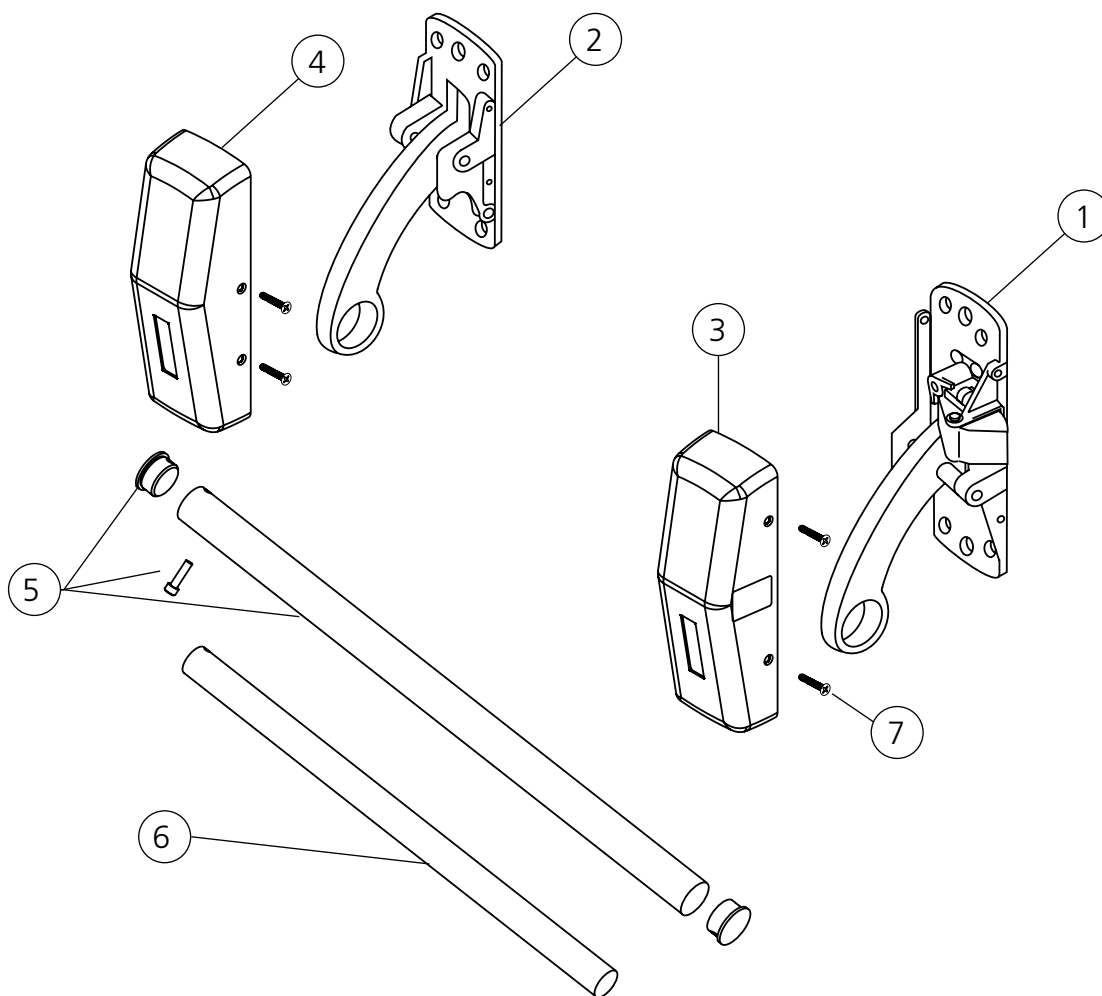
1. Outside trim only
 2. Not available on lever trim or T34 trim

Device with Trim				
Device	Type	ANSI #	Description	Trim Designation*
ED3210, ED3410, ED3610	Passage	14	Free at all times	XX3310
ED3210A, ED3410A, ED3610A	Passage	14	3-hour fire-rated, Free at all times	XX3310
ED3210AT, ED3410AT, ED3610AT	Thumbpiece Passage	15	3-hour fire-rated, Free at all times	T3X10
ED3210T, ED3410T, ED3610T	Thumbpiece Passage	15	Free at all times	T3X10
ED3250, ED3450, ED3650	Dummy/Exit Only	01/02	Always rigid; Exit only	XX3350, T3X50
ED3250A, ED3450A, ED3650A	Dummy/Exit Only	01/02	3-hour fire-rated, Always rigid; Exit only	XX3350, T3X50
ED3255, ED3455, ED3655	Classroom	08	Free at all times except when locked by key	XX3355
ED3255A, ED3455A, ED3655A	Classroom	08	3-hour fire-rated, free at all times except when locked by key	XX3355
ED3255AT, ED3455AT, ED3655AT	Thumbpiece Classroom	05	3-hour fire-rated, free at all times except when locked by key	T3X55, T3XM55
ED3255T, ED3455T, ED3655T	Thumbpiece Classroom	05	Free at all times except when locked by key	T3XX55, T3XXM55
ED3257, ED3257A	Nightlatch	03	Entrance by trim when latchbolt is retracted by key. Key removable only when locked	XX3357, T3X57
ED3457, ED3457A	Nightlatch	09	Entrance by trim when latchbolt is retracted by key. Key removable only when locked	XX33V57
ED3657, ED3657A	Nightlatch	03	Entrance by trim when latchbolt is retracted by key. Key removable only when locked	XX33M57, T3XM57

* When ordering a device, the function must be included in the device component of the order string and must match the trim function (e.g. ED3255/A3355). See pages 11-12.

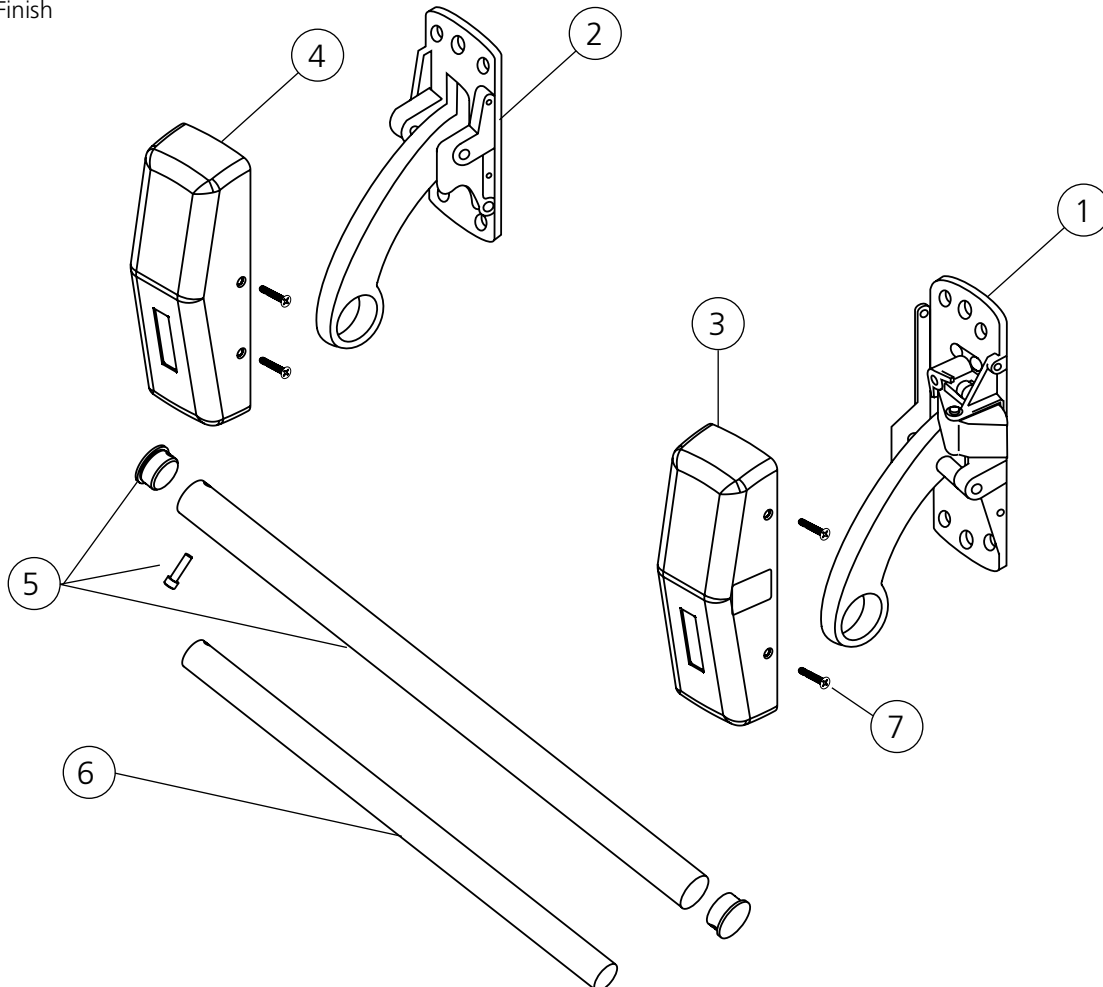
ITEM	PART NO.	DESCRIPTION	QTY
1	786F93 Fin*	ED3257 Active Case	1
	786F94 Fin*	ED3250 Active Case	1
	786F95 Fin*	ED3210/55 Active Case	1
	786F96 Fin*	ED3210T Active Case	1
	786F97 Fin*	ED3255T Active Case	1
2	787F07 Fin*	Inactive Case	1
3	715F24 Fin*	Cover, Active Rim Reversible	1
4	715F45 Fin*	Cover, Inactive	1
5	787F08 Fin*	36" Cross Bar Kit	1
	787F10 Fin*	48" Cross Bar Kit	1
6	787F09	Reinforced Steel Cross Bar	1
7	787F33 Fin*	Case And Cover Screw Pack	1

* Specify Finish



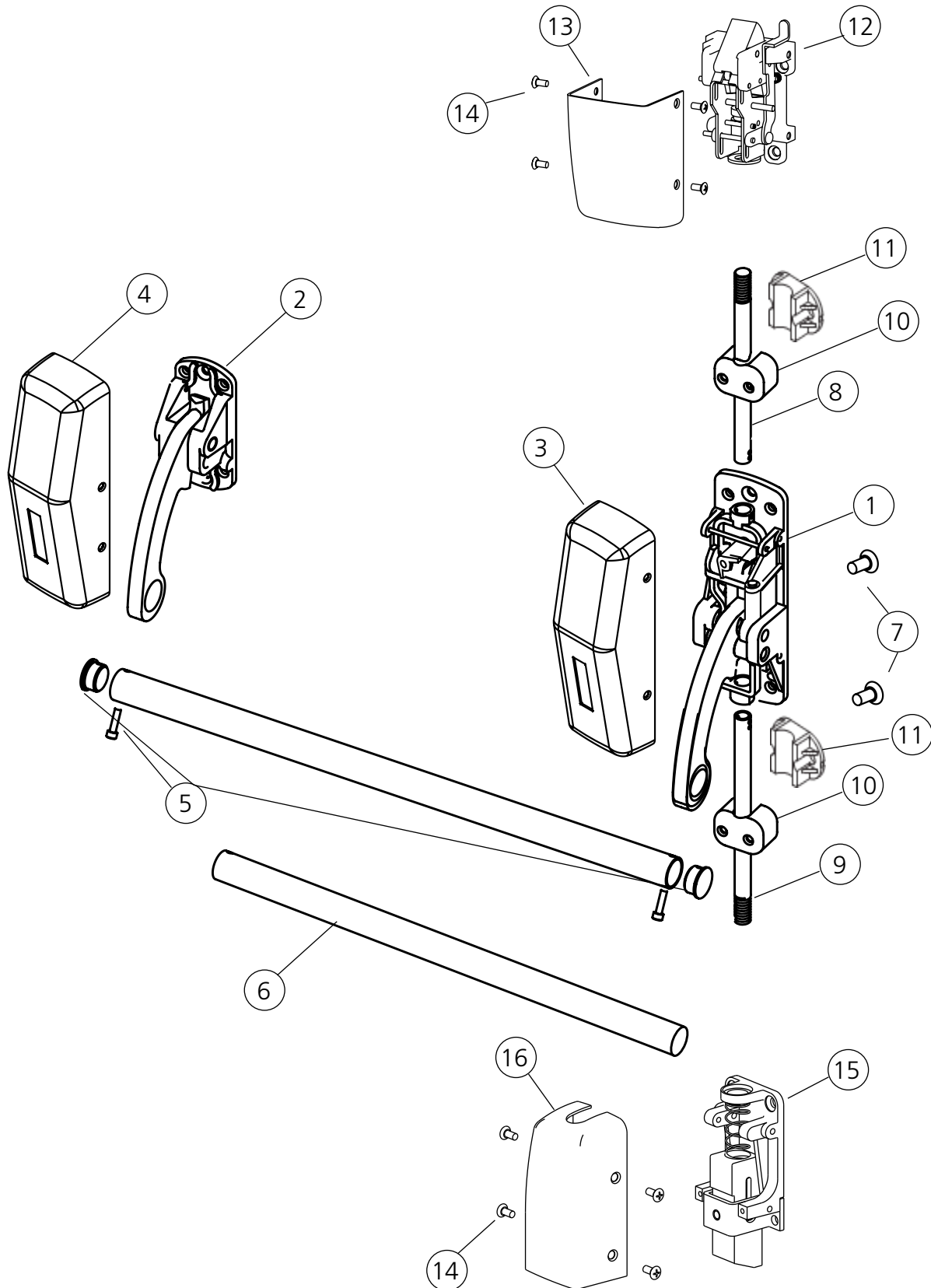
ITEM	PART NO.	DESCRIPTION	QTY
1	786F83 Fin*	ED3257A Active Case LR	1
	786F84 Fin*	ED3257A Active Case RR	1
	786F85 Fin*	ED3250A Active Case LR	1
	786F86 Fin*	ED3250A Active Case RR	1
	786F87 Fin*	ED3210A/55A Active Case LR	1
	786F88 Fin*	ED3210A/55A Active Case RR	1
	786F89 Fin*	ED3210A Active Case LR	1
	786F90 Fin*	ED3210A Active Case RR	1
	786F91 Fin*	ED3255A Active Case LR	1
	786F92 Fin*	ED3255A Active Case RR	1
2	787F06 Fin*	Inactive Case	1
3	715F22 Fin*	Cover, Active Rim No Dog {L}	1
	715F23 Fin*	Cover, Active Rim No Dog {R}	1
4	715F46 Fin*	Cover, Inactive No Dog	1
5	787F08 Fin*	36" Cross Bar Kit	1
	787F10 Fin*	48" Cross Bar Kit	1
6	787F09	Reinforced Steel Cross Bar	1
7	787F33 Fin*	Case And Cover Screw Pack	1

* Specify Finish



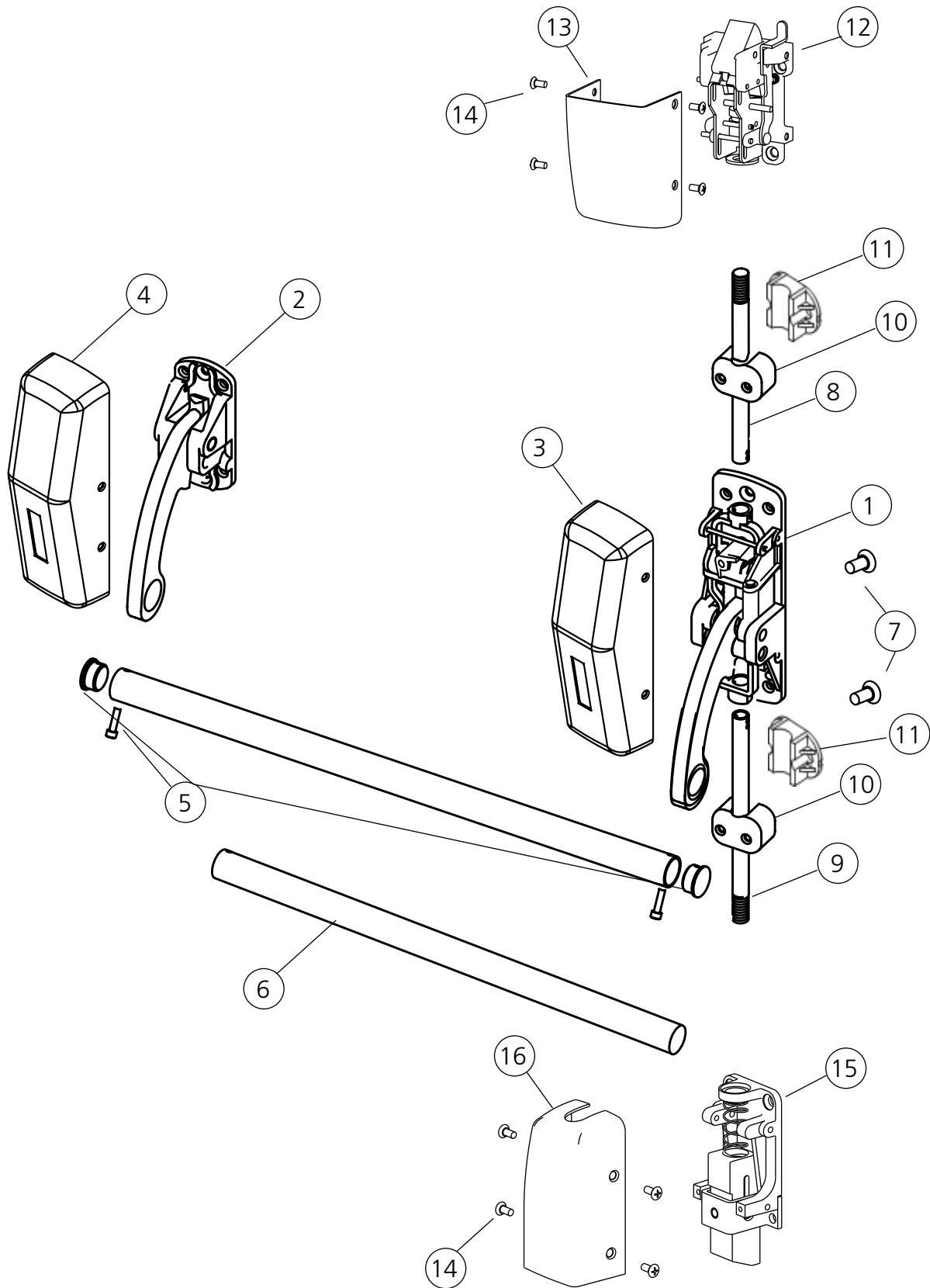
ITEM	PART NO.	DESCRIPTION	QTY
1	786F73 Fin*	ED3455T Active Case (Classroom)	1
	786F74 Fin*	ED3450 Active Case	1
	786F75 Fin*	ED3457/55 Active Case	1
	786F76 Fin*	ED3410 Active Case	1
	786F77 Fin*	ED3410T Active Case	1
2	787F07 Fin*	Inactive Case	1
3	715F47 Fin*	Cover	1
4	715F45 Fin*	Cover, Inactive	1
5	787F08 Fin*	36" Cross Bar Kit	1
	787F10 Fin*	48" Cross Bar Kit	1
6	787F09	Reinforced Steel Cross Bar	1
7	787F33 Fin*	Case And Cover Screw Pack	1
8	787F11 Fin*	Top Rod For 7-8 Ft Doors	1
	787F12 Fin*	Top Rod For 8-10 Ft Doors	1
9	786F54 Fin*	Bottom Rod	1
10	787F13 Fin*	Rod Cover	1
11	787F14	Rod Guide	1
12	787F16	Top Latch	1
13	787F20 Fin*	Top Latch Cover	1
14	787F15 Fin*	Cover Screws	1
15	787F17	Bottom Latch	1
16	787F20 Fin*	Bottom Latch Cover	1

* Specify Finish



ITEM	PART NO.	DESCRIPTION	QTY
1	786F78 Fin*	ED3450A Active Case	1
	786F79 Fin*	ED3410A Active Case	1
	786F80 Fin*	ED3410AT Active Case	1
	786F81 Fin*	ED3457A/55A Active Case	1
	786F82 Fin*	ED3455AT Active Case	1
2	787F06 Fin*	Inactive Case	1
3	715F48 Fin*	Cover, No Dog	1
4	715F45 Fin*	Cover, Inactive	1
5	787F08 Fin*	36" Cross Bar Kit	1
	787F10 Fin*	48" Cross Bar Kit	1
6	787F09	Reinforced Steel Cross Bar	1
7	787F33 Fin*	Case And Cover Screw Pack	1
8	787F11 Fin*	Top Rod	1
9	786F54 Fin*	Bottom Rod	1
10	787F13 Fin*	Rod Cover	1
11	787F14	Rod Guide	1
12	787F18	Top Latch	1
13	787F21 Fin*	Top Latch Cover	1
14	787F15 Fin*	Cover Screws	1
15	787F19	Bottom Latch	1
16	787F22 Fin*	Bottom Latch Cover	1

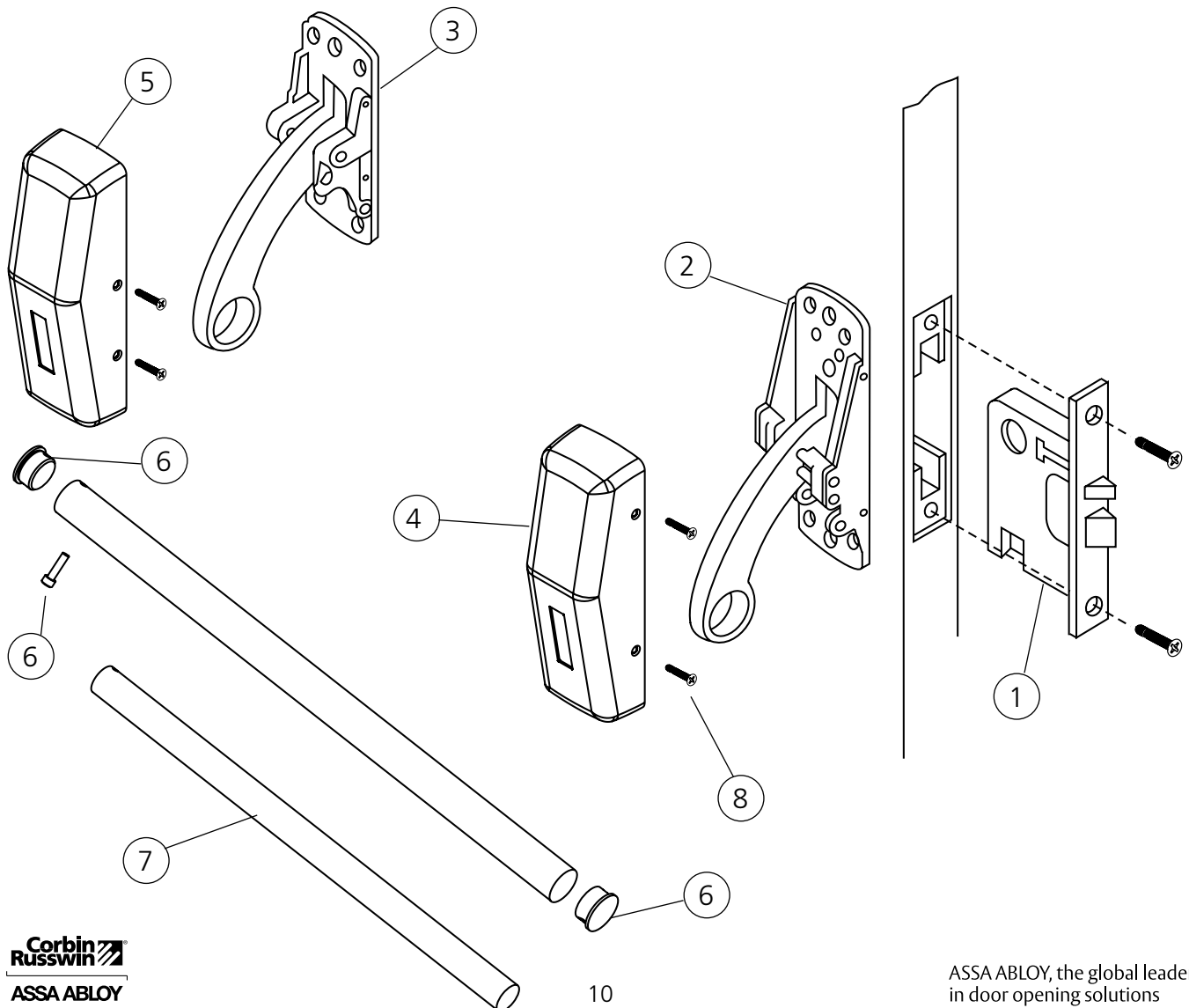
* Specify Finish



ITEM	PART NO.	DESCRIPTION	QTY
1	MLE012	Mortise Lockbody With Nightlatch/Dummy Function**	1
	MLE013	Mortise Lockbody With Classroom Function**	1
	MLE014	Mortise Lockbody With Passage Function**	1
	MLE015	Mortise Lockbody With Passage Thumbpiece Function**	1
	MLE016	Mortise Lockbody With Classroom Thumbpiece Function**	1
2	786F98 Fin*	ED3600 Active Case, LR >=2	1
	786F99 Fin*	ED3600 Active Case, RR >=2	1
	787F02 Fin*	ED3600 Active Case, LR 1.75 Door	1
	787F03 Fin*	ED3600 Active Case, RR 1.75 Door	1
3	787F07 Fin*	Inactive Case	1
4	714F97 Fin*	Cover, Active Mortise	1
5	715F45 Fin*	Cover, Inactive	1
6	787F08 Fin*	36" Cross Bar Kit	1
	787F10 Fin*	48" Cross Bar Kit	1
7	787F09	Reinforced Steel Cross Bar	1
8	787F33 Fin*	Case And Cover Screw Pack	1

* Specify Finish

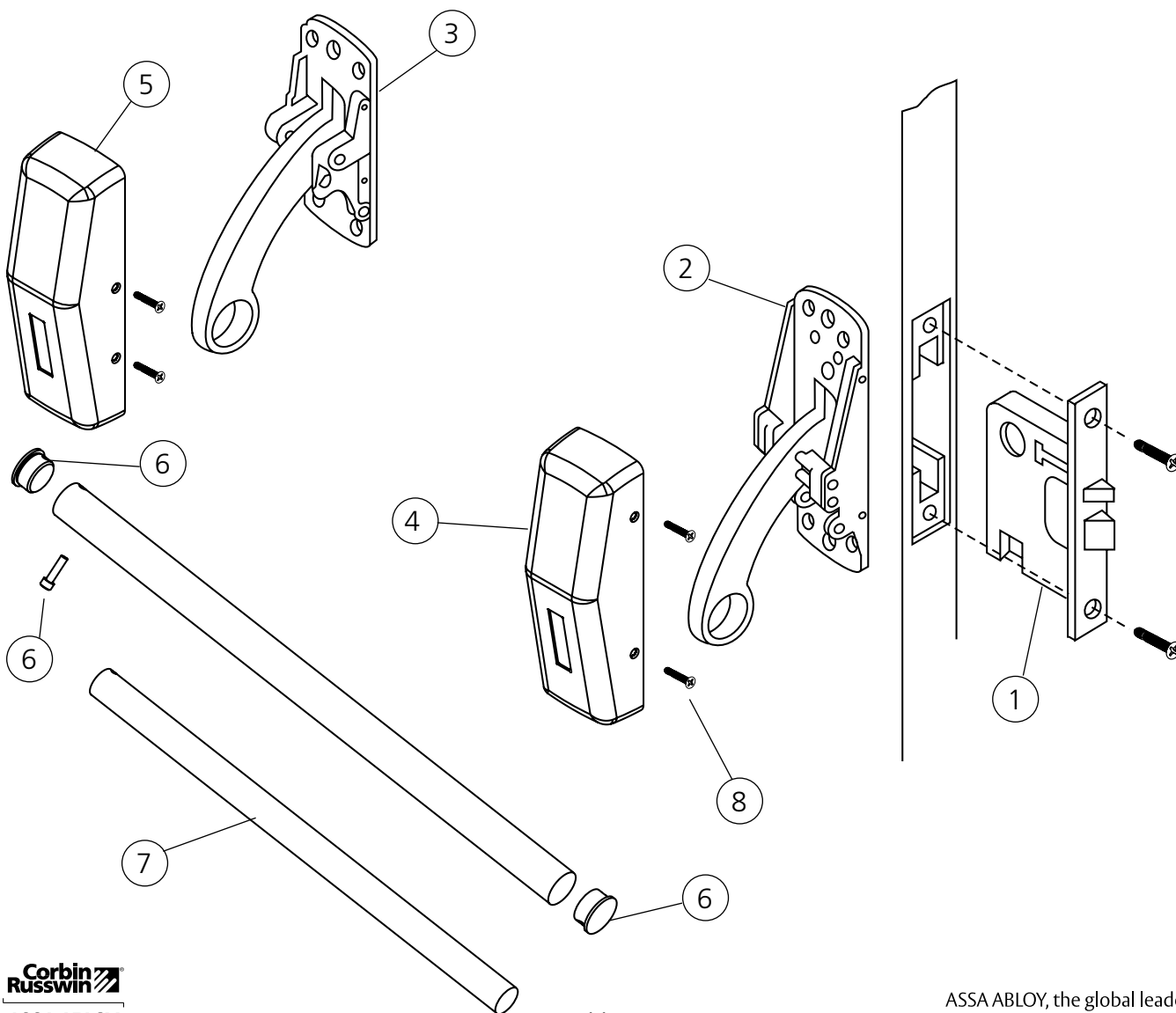
** Includes lockbody, strike, and mounting screws



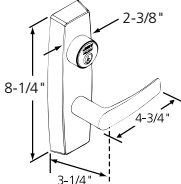


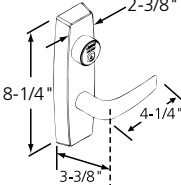


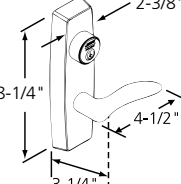


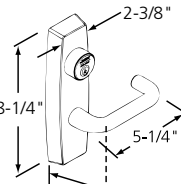


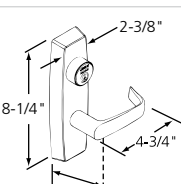


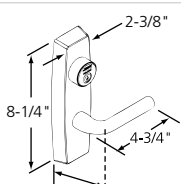


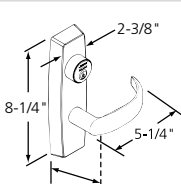


ITEM	PART NO.	DESCRIPTION	QTY
1	MLE012 Fin*	Mortise Lockbody With Nightlatch/Dummy Function**	1
	MLE013 Fin*	Mortise Lockbody With Classroom Function**	1
	MLE014 Fin*	Mortise Lockbody With Passage Function**	1
	MLE015 Fin*	Mortise Lockbody With Passage Thumbpiece Function**	1
	MLE016 Fin*	Mortise Lockbody With Classroom Thumbpiece Function**	1
2	787F00 Fin*	ED3600a Active Case, LL >=2	1
	787F01 Fin*	ED3600a Active Case, RR >=2	1
	787F04 Fin*	ED3600a Active Case, LR 1.75 Door	1
	787F05 Fin*	ED3600a Active Case, RR 1.75 Door	1
3	787F06 Fin*	Fire Rated Inactive Case	1
4	714F96 Fin*	Cover, Active, Fire	1
5	715F46 Fin*	Cover, Inactive No Dog	1
6	787F08 Fin*	36" Cross Bar Kit	1
	787F10 Fin*	48" Cross Bar Kit	1
7	787F09	Reinforced Steel Cross Bar	1
8	787F33 Fin*	Case And Cover Screw Pack	1



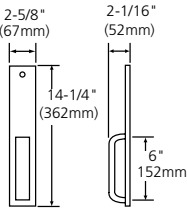

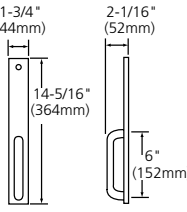

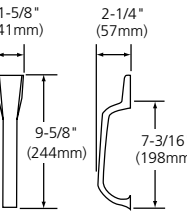

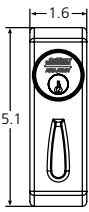
* Specify Finish

** Includes lockbody, strike and mounting screws




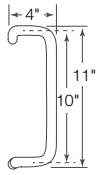

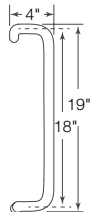

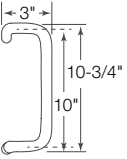
Lever Trim Design ¹																		
	Armstrong A33 Lever: Cast Escutcheon: Cast			<table border="1"> <thead> <tr> <th>Trim Designation</th> <th>ANSI #</th> </tr> </thead> <tbody> <tr><td>A3310 - Passage</td><td>14</td></tr> <tr><td>A3350 - Dummy</td><td>02</td></tr> <tr><td>A3355 - Classroom</td><td>08</td></tr> <tr><td>A3357 - Nightlatch (Rim)</td><td>03</td></tr> <tr><td>A33V57 - Nightlatch (SVR)</td><td>09</td></tr> <tr><td>A33M57 - Nightlatch (Mortise)</td><td>03</td></tr> </tbody> </table>	Trim Designation	ANSI #	A3310 - Passage	14	A3350 - Dummy	02	A3355 - Classroom	08	A3357 - Nightlatch (Rim)	03	A33V57 - Nightlatch (SVR)	09	A33M57 - Nightlatch (Mortise)	03
				Trim Designation	ANSI #													
A3310 - Passage	14																	
A3350 - Dummy	02																	
A3355 - Classroom	08																	
A3357 - Nightlatch (Rim)	03																	
A33V57 - Nightlatch (SVR)	09																	
A33M57 - Nightlatch (Mortise)	03																	
	Citation C33 Lever: Cast Escutcheon: Cast			<table border="1"> <thead> <tr> <th>Trim Designation</th> <th>ANSI #</th> </tr> </thead> <tbody> <tr><td>C3310 - Passage</td><td>14</td></tr> <tr><td>C3350 - Dummy</td><td>02</td></tr> <tr><td>C3355 - Classroom</td><td>08</td></tr> <tr><td>C3357 - Nightlatch (Rim)</td><td>03</td></tr> <tr><td>C33V57 - Nightlatch (SVR)</td><td>09</td></tr> <tr><td>C33M57 - Nightlatch (Mortise)</td><td>03</td></tr> </tbody> </table>	Trim Designation	ANSI #	C3310 - Passage	14	C3350 - Dummy	02	C3355 - Classroom	08	C3357 - Nightlatch (Rim)	03	C33V57 - Nightlatch (SVR)	09	C33M57 - Nightlatch (Mortise)	03
				Trim Designation	ANSI #													
C3310 - Passage	14																	
C3350 - Dummy	02																	
C3355 - Classroom	08																	
C3357 - Nightlatch (Rim)	03																	
C33V57 - Nightlatch (SVR)	09																	
C33M57 - Nightlatch (Mortise)	03																	
	Dirke D33 Lever: Cast Escutcheon: Cast			<table border="1"> <thead> <tr> <th>Trim Designation</th> <th>ANSI #</th> </tr> </thead> <tbody> <tr><td>D3310 - Passage</td><td>14</td></tr> <tr><td>D3350 - Dummy</td><td>02</td></tr> <tr><td>D3355 - Classroom</td><td>08</td></tr> <tr><td>D3357 - Nightlatch (Rim)</td><td>03</td></tr> <tr><td>D33V57 - Nightlatch (SVR)</td><td>09</td></tr> <tr><td>D33M57 - Nightlatch (Mortise)</td><td>03</td></tr> </tbody> </table>	Trim Designation	ANSI #	D3310 - Passage	14	D3350 - Dummy	02	D3355 - Classroom	08	D3357 - Nightlatch (Rim)	03	D33V57 - Nightlatch (SVR)	09	D33M57 - Nightlatch (Mortise)	03
				Trim Designation	ANSI #													
D3310 - Passage	14																	
D3350 - Dummy	02																	
D3355 - Classroom	08																	
D3357 - Nightlatch (Rim)	03																	
D33V57 - Nightlatch (SVR)	09																	
D33M57 - Nightlatch (Mortise)	03																	
	Lustra L33 Lever: Cast Escutcheon: Cast			<table border="1"> <thead> <tr> <th>Trim Designation</th> <th>ANSI #</th> </tr> </thead> <tbody> <tr><td>L3310 - Passage</td><td>14</td></tr> <tr><td>L3350 - Dummy</td><td>02</td></tr> <tr><td>L3355 - Classroom</td><td>08</td></tr> <tr><td>L3357 - Nightlatch (Rim)</td><td>03</td></tr> <tr><td>L33V57 - Nightlatch (SVR)</td><td>09</td></tr> <tr><td>L33M57 - Nightlatch (Mortise)</td><td>03</td></tr> </tbody> </table>	Trim Designation	ANSI #	L3310 - Passage	14	L3350 - Dummy	02	L3355 - Classroom	08	L3357 - Nightlatch (Rim)	03	L33V57 - Nightlatch (SVR)	09	L33M57 - Nightlatch (Mortise)	03
				Trim Designation	ANSI #													
L3310 - Passage	14																	
L3350 - Dummy	02																	
L3355 - Classroom	08																	
L3357 - Nightlatch (Rim)	03																	
L33V57 - Nightlatch (SVR)	09																	
L33M57 - Nightlatch (Mortise)	03																	
	Newport N33 Lever: Cast Escutcheon: Cast			<table border="1"> <thead> <tr> <th>Trim Designation</th> <th>ANSI #</th> </tr> </thead> <tbody> <tr><td>N3310 - Passage</td><td>14</td></tr> <tr><td>N3350 - Dummy</td><td>02</td></tr> <tr><td>N3355 - Classroom</td><td>08</td></tr> <tr><td>N3357 - Nightlatch (Rim)</td><td>03</td></tr> <tr><td>N33V57 - Nightlatch (SVR)</td><td>09</td></tr> <tr><td>N33M57 - Nightlatch (Mortise)</td><td>03</td></tr> </tbody> </table>	Trim Designation	ANSI #	N3310 - Passage	14	N3350 - Dummy	02	N3355 - Classroom	08	N3357 - Nightlatch (Rim)	03	N33V57 - Nightlatch (SVR)	09	N33M57 - Nightlatch (Mortise)	03
				Trim Designation	ANSI #													
N3310 - Passage	14																	
N3350 - Dummy	02																	
N3355 - Classroom	08																	
N3357 - Nightlatch (Rim)	03																	
N33V57 - Nightlatch (SVR)	09																	
N33M57 - Nightlatch (Mortise)	03																	
	Regis R33 Lever: Cast Escutcheon: Cast			<table border="1"> <thead> <tr> <th>Trim Designation</th> <th>ANSI #</th> </tr> </thead> <tbody> <tr><td>R3310 - Passage</td><td>14</td></tr> <tr><td>R3350 - Dummy</td><td>02</td></tr> <tr><td>R3355 - Classroom</td><td>08</td></tr> <tr><td>R3357 - Nightlatch (Rim)</td><td>03</td></tr> <tr><td>R33V57 - Nightlatch (SVR)</td><td>09</td></tr> <tr><td>R33M57 - Nightlatch (Mortise)</td><td>03</td></tr> </tbody> </table>	Trim Designation	ANSI #	R3310 - Passage	14	R3350 - Dummy	02	R3355 - Classroom	08	R3357 - Nightlatch (Rim)	03	R33V57 - Nightlatch (SVR)	09	R33M57 - Nightlatch (Mortise)	03
				Trim Designation	ANSI #													
R3310 - Passage	14																	
R3350 - Dummy	02																	
R3355 - Classroom	08																	
R3357 - Nightlatch (Rim)	03																	
R33V57 - Nightlatch (SVR)	09																	
R33M57 - Nightlatch (Mortise)	03																	
	Princeton PR33 Lever: Cast Escutcheon: Cast			<table border="1"> <thead> <tr> <th>Trim Designation</th> <th>ANSI #</th> </tr> </thead> <tbody> <tr><td>PR3310 - Passage</td><td>14</td></tr> <tr><td>PR3350 - Dummy</td><td>02</td></tr> <tr><td>PR3355 - Classroom</td><td>08</td></tr> <tr><td>PR3357 - Nightlatch (Rim)</td><td>03</td></tr> <tr><td>PR33V57 - Nightlatch (SVR)</td><td>09</td></tr> <tr><td>PR33M57 - Nightlatch (Mortise)</td><td>03</td></tr> </tbody> </table>	Trim Designation	ANSI #	PR3310 - Passage	14	PR3350 - Dummy	02	PR3355 - Classroom	08	PR3357 - Nightlatch (Rim)	03	PR33V57 - Nightlatch (SVR)	09	PR33M57 - Nightlatch (Mortise)	03
				Trim Designation	ANSI #													
PR3310 - Passage	14																	
PR3350 - Dummy	02																	
PR3355 - Classroom	08																	
PR3357 - Nightlatch (Rim)	03																	
PR33V57 - Nightlatch (SVR)	09																	
PR33M57 - Nightlatch (Mortise)	03																	

See Page 2 for available finishes

Pull Trim / Thumbpiece Design*																								
	<p>D Grip T33 </p> <p>Grip: Extruded Escutcheon: Wrought</p>		<table border="1"> <thead> <tr> <th>Part #</th> <th>Trim Designation</th> <th>ANSI #</th> </tr> </thead> <tbody> <tr><td>T3310</td><td>Passage</td><td>14</td></tr> <tr><td>T3350</td><td>Dummy</td><td>02</td></tr> <tr><td>T3355</td><td>Classroom (rim)</td><td>08</td></tr> <tr><td>T33M55</td><td>Classrom (Mortise)</td><td>08</td></tr> <tr><td>T3357</td><td>Nightlatch (Rim)¹</td><td>03</td></tr> <tr><td>T33M57</td><td>Nightlatch (Mortise)</td><td>03</td></tr> </tbody> </table>	Part #	Trim Designation	ANSI #	T3310	Passage	14	T3350	Dummy	02	T3355	Classroom (rim)	08	T33M55	Classrom (Mortise)	08	T3357	Nightlatch (Rim) ¹	03	T33M57	Nightlatch (Mortise)	03
Part #	Trim Designation	ANSI #																						
T3310	Passage	14																						
T3350	Dummy	02																						
T3355	Classroom (rim)	08																						
T33M55	Classrom (Mortise)	08																						
T3357	Nightlatch (Rim) ¹	03																						
T33M57	Nightlatch (Mortise)	03																						
	<p>Round Grip T34</p> <p>Grip: Extruded Escutcheon: Wrought</p>		<table border="1"> <thead> <tr> <th>Part #</th> <th>Trim Designation</th> <th>ANSI #</th> </tr> </thead> <tbody> <tr><td>T3410</td><td>Passage</td><td>14</td></tr> <tr><td>T3450</td><td>Dummy</td><td>02</td></tr> <tr><td>T3455</td><td>Classroom (rim)</td><td>08</td></tr> <tr><td>T34M55</td><td>Classrom (Mortise)</td><td>08</td></tr> <tr><td>T3457</td><td>Nightlatch (Rim) ¹</td><td>03</td></tr> <tr><td>T34M57</td><td>Nightlatch (Mortise)</td><td>03</td></tr> </tbody> </table>	Part #	Trim Designation	ANSI #	T3410	Passage	14	T3450	Dummy	02	T3455	Classroom (rim)	08	T34M55	Classrom (Mortise)	08	T3457	Nightlatch (Rim) ¹	03	T34M57	Nightlatch (Mortise)	03
Part #	Trim Designation	ANSI #																						
T3410	Passage	14																						
T3450	Dummy	02																						
T3455	Classroom (rim)	08																						
T34M55	Classrom (Mortise)	08																						
T3457	Nightlatch (Rim) ¹	03																						
T34M57	Nightlatch (Mortise)	03																						
	<p>Sectional Grip T35</p> <p>Grip: Extruded</p>		<table border="1"> <thead> <tr> <th>Part #</th> <th>Trim Designation</th> <th>ANSI #</th> </tr> </thead> <tbody> <tr><td>T3510</td><td>Passage</td><td>14</td></tr> <tr><td>T3550</td><td>Dummy</td><td>02</td></tr> <tr><td>T3555</td><td>Classroom (rim)</td><td>08</td></tr> <tr><td>T35M55</td><td>Classrom (Mortise)</td><td>08</td></tr> <tr><td>T3557</td><td>Nightlatch (Rim) ¹</td><td>03</td></tr> <tr><td>T35M57</td><td>Nightlatch (Mortise)</td><td>03</td></tr> </tbody> </table>	Part #	Trim Designation	ANSI #	T3510	Passage	14	T3550	Dummy	02	T3555	Classroom (rim)	08	T35M55	Classrom (Mortise)	08	T3557	Nightlatch (Rim) ¹	03	T35M57	Nightlatch (Mortise)	03
Part #	Trim Designation	ANSI #																						
T3510	Passage	14																						
T3550	Dummy	02																						
T3555	Classroom (rim)	08																						
T35M55	Classrom (Mortise)	08																						
T3557	Nightlatch (Rim) ¹	03																						
T35M57	Nightlatch (Mortise)	03																						
	<p>Auxiliary Control/ Inside Lever Assembly</p>		<table border="1"> <thead> <tr> <th>Part #</th> <th>Trim Designation</th> <th>ANSI #</th> </tr> </thead> <tbody> <tr><td>3357T</td><td>Nightlatch</td><td>12</td></tr> </tbody> </table>	Part #	Trim Designation	ANSI #	3357T	Nightlatch	12															
Part #	Trim Designation	ANSI #																						
3357T	Nightlatch	12																						

1. Passage and Classroom functions have thumbpiece. Dummy and Nightlatch functions are pull only.
2. Not available with Surface Vertical Rod devices. For SVR X Night-latch x pull trim requirement - must order ED3450(A) x Dummy pull trim and 3357T Auxiliary Control.

See Page 2 for available finishes.

	Description	Measurements	Part #
	<p>Offset Pull P12 Clearance: 2-1/2 "</p>		<p>716F50M</p>
	<p>Offset Pull P13 Clearance: 2-1/2 "</p>		<p>716F51M</p>
	<p>Offset Pull P14 Clearance: 2-1/2 "</p>		<p>716F52M</p>

Note: Available in 605, 606, 612, 613, 626, 629 and 630 finishes. Available on 1-3/4" thick doors only.

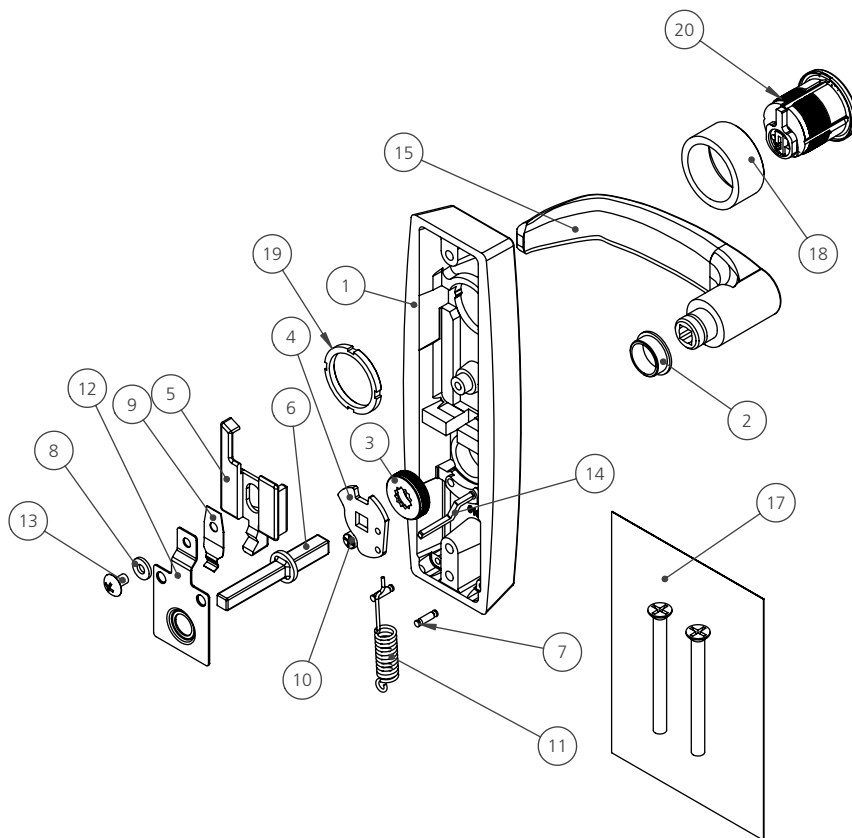
*3310, *3350, *3355, *3357,
*33M57, *33V57 Trims

ED3000 Series Parts Manual

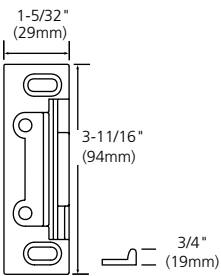
ITEM	PART NO.	DESCRIPTION
1		Escutcheon
	717F022 FIN*	Classroom (55), Nightlatch (V57)
	717F032 FIN*	Passage (10), Dummy (50)
	717F062 FIN*	Nightlatch (57, M57)
2	786F009	BUSHING INSERT
3	786F018	CAP NUT
4		HUB PLATE
	786F028	*3350, *3357, *33M57
	786F038	*3310, *3355, *33V57
5		LOCKING SLIDE
	786F057	*33V57
	786F067	*3310, *3355
6		SPINDLE
	786F078	*3350, *3357, *33M57
	786F108	*3310, *3355, *33V57
7	786F148	DOUBLE ENDED GROOVE PIN
8	786F119	FUSIBLE LINK
9	786F128	LOCKING SLIDE SPRING
10	786F158	SCREW
11	786F138	HUB SPRING
12	786F178	RETAINING PLATE

13	786F168	SCREW
14	786F181	LEVER STOP
15		LEVERS
	786F21M FIN	ARMSTRONG
	786F24M FIN	CITATION
	786F27M FIN	DIRKE (RH)
	786F30M FIN	DIRKE (LH)
	786F33M FIN	ESSEX
	786F36M FIN	LUSTRA
	786F39M FIN	NEWPORT
	786F42M FIN	PRINCETON
	786F45M FIN	REGIS
17		SCREW PACKS
	787F408	2-1/4" DOOR
	787F398	2" DOOR
18		CYLINDER COLLAR
	447F43M FIN*	6 PIN CYLINDER
	723F94M FIN*	7 PIN CYLINDER
19	697F862	CYLINDER DOGGING NUT
20	See Pages 19-20	CYLINDER

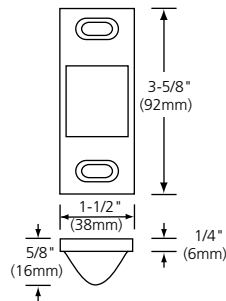
* Specify Finish



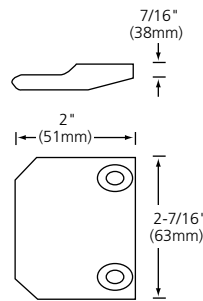
Description	Measurements	Part #
Rim Strikes		
Rim Strike	3-1/4" x 1-1/16"	786F54
	1/8" shim	786F72
Mortise Adjustable Rim Strike	3-5/8" x 1-1/2"	786F51
Rim x Vertical Rod Strike	2" x 2-7/16"	786F53
Vertical Rod Strikes		
Top Strike	3-11/16" x 1-5/32"	787F42
Bottom Strike	2-3/4" x 1-13/16"	786F56
Bottom Strike for Threshold	2-3/4" x 1-13/16"	786F55
Flush Transom Strike	2-1/2" x 1-7/8"	787F41
Surface Projecting Bottom Strike	2-9/16" x 19/32"	786F52



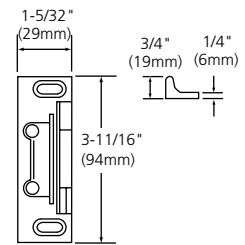
Rim Strike



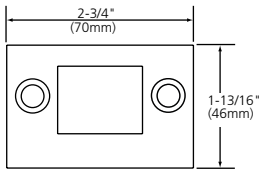
Mortise Adjustable Rim Strike



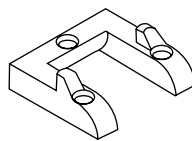
Rim x Vertical Rod Strike



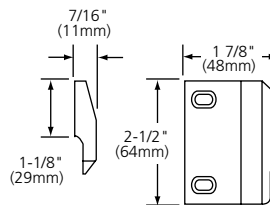
Top Strike



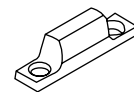
Bottom Strike



Bottom Strike for Threshold

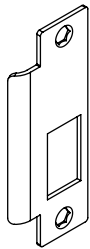


Flush Transom Strike



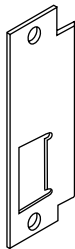
Surface Projecting Bottom Strike

Mortise Strikes



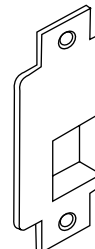
Curved Lip ANSI Strike
 Standard on ED3600 and ED3600A Series. Handed. 1-1/4" lip standard, longer lips in increments of 1/4" through 2-7/8" available. 4-7/8" x 1-1/4" x 1-1/8" (124mm x 32mm x 28mm) lip to center, for 1-3/4" (44mm) doors.

Hand	Door Thickness	Part No.
LHR	1-3/4"	786F66
	2"	786F67
	2-1/4"	786F68
RHR	1-3/4"	786F69
	2"	786F70
	2-1/4"	786F71



Straight Lip ANSI Strike
 4-7/8" x 1-1/4" x 1-1/8" (124mm x 32mm x 28mm) lip to center, for 1-3/4" (44mm) doors. To order separately, specify Part No.

Door Thickness	Part No.
1-3/4"	786F63
2"	786F64
2-1/4"	786F65

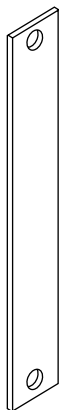


Open Back Strike
 Optional for use with ED3400 Series x ED3600 Series devices on a pair of doors. To order separately, specify Part No. x Door Thickness x Finish.

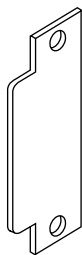
Hand	Door Thickness	Part No.
LHR	1-3/4"	786F57
	2"	786F58
	2-1/4"	786F59
RHR	1-3/4"	786F60
	2"	786F61
	2-1/4"	786F62

Filler Plates

Optional for use on stock metal doors when required. To order, specify Part No. x Finish.



Front
334F99-8 600



Strike
236L708018



Front
077F19-8 600

900 Series Removable Mullions

The 900 series mullions are used to install two ED3200 Series Rim Exit Devices in a double door opening. They may be quickly and easily removed, then reinstalled, when a full double door opening is temporarily required. The 900 Series mullions meet ANSI A156.3, Type 22.

Materials and Finish

Steel mullion with malleable iron top and bottom plates; furnished with zinc plated fasteners for metal frames and concrete floors. May be cut, drilled and tapped in the field for Rim Exit Devices. The 900 Series mullions are primed for painting, BHMA 600, red.

900 Series Mullions - How to Order

Removable Mullions

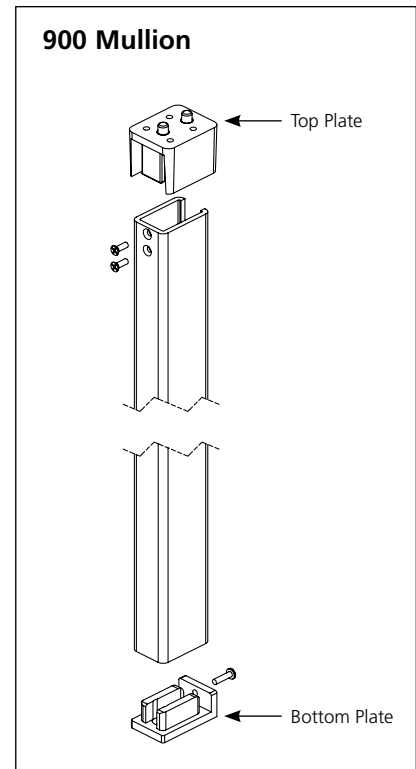
UL Fire Rating ¹	Mullion Opening Height ²	Catalog Number
Panic Only	Up to 7'0"	907
Panic Only	Up to 8'0"	908
Panic Only	Up to 10'0"	910
3-Hour	Up to 7'0"	907A
3-Hour	Up to 8'0"	908A

Key Removable Mullions

UL Fire Rating ¹	Mullion Opening Height ²	Catalog Number
1-1/2 Hour	Up to 7'0"	907BKM ³
1-1/2 Hour	Up to 8'0"	908BKM ³
Panic Only	Up to 10'0"	910KM ³

Notes:

1. UL label on mullion indicates listing.
2. May be field cut for doors.
3. Cylinder and collars not included, specify separately. See Cylinders on page 19.



900 Series Mullions - Options

M95- Spacer Block

Recommended for double rabbeted frames where the stop face width is less than the mounting hole spacing and also for door frames 5-3/4" (176mm) or less. To order with a mullion, specify M95. To order separately, specify Part No. 683F29-8.

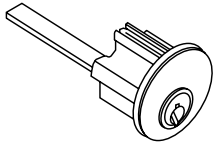
M96- Angle Bracket

Recommended for any header configuration with less than 3" (76mm) of mounting surface. To order with a mullion, specify M96. To order separately, specify Part No. 655F63-8.

M57- Mullion Stabilizer Kit

Controls the movement of the mullion. Recommended for opening over 7' high, or whenever door movement must be minimized. To order with mullion, specify M57. To order separately, specify Part No. 653F11-1 x 695 or 628.

Rim

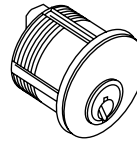


Available with the following trim:

*57	T3357
T3355	T3457
T3455	T3557
T3555	

Description	Cylinder Type	
	1-3/4" Door	2" and 2-1/4" Door
7 Pin	3000-200-7	3000-312-7
Access 3® Patented	3500-200	3500-312
Access 3® Security	3600-200	3600-312
Access 3® High Security	3700-200	3700-312
Access 3® IC Patented	3580-178	3580-318
Access 3® IC Security	3680-178	3680-318
Access 3® IC High Security	3780-178	3780-318
Pyramid Security	3027-200	3027-312
Pyramid Security IC	3037-178	3037-312
Pyramid High Security	3020-200	3020-312
Pyramid High Security IC	3030-178	3030-312
Pyramid IC		
IC 6 Pin		
IC 6 Pin - Red	3080-178	3080-318
IC 6 Pin - Blue		
IC 6 Pin - Green		
Pyramid IC (Disposable)		
Pyramid IC Less Core	3070-178	3070-318
IC 6 Pin Less Core		
IC 6 Pin (Disposable)		
SFIC 6 Pin Less Core		
IC 6 Pin w/ SFIC (Disposable)	3040-178	3040-318
Security	3010-200	3010-312
Security IC	3090-178	3090-318
Blockout	3012-178	3012-318
IC 7 Pin		
IC 7 Pin - Red	3080-178-7	3080-318-7
IC 7 Pin - Blue		
IC 7 Pin - Green		
IC 7 Pin Less Core		
IC 7 Pin (Disposable)	3070-178-7	3070-318-7
SFIC 7 Pin Less Core		
IC 7 Pin w/ SFIC (Disposable)	3040-178-7	3040-318-7

900 Series Key Removable Mullion Mortise Cylinders

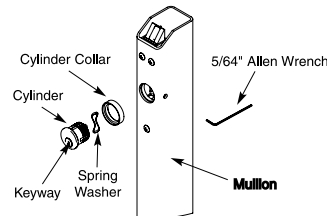


Description	Cylinder Type
6-Pin	1000-118-A62
7-Pin	1000-114-A62-7
6-Pin, IC	1080-114-A62
7-Pin, IC	1080-112-A62-7
Pyramid High Security	1020-114-A62
Pyramid Security	1027-114-A62
Pyramid High Security IC	1030-114-A62
Pyramid Security IC	1037-114-A62
Security	1010-118-A62
Security IC	1090-114-A62
6-pin, IC, less core	1070-114-A62
7-pin, IC, less core	1070-112-A62-7
Access 3® – Patented	1500-114-A62
Access 3® - Security	1600-114-A62
Access 3® - High Security	1700-114-A62
Access 3® IC - Patented	1580-114-A62
Access 3® IC - Security	1680-114-A62
Access 3® IC- High Security	1788-114-A62

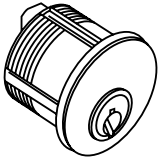
900 Series Key Removable Mullion Cylinder Collar Packet

Mullion Series	Cylinder Length and Type			
	1-1/8"	1-1/4"	1-1/4" IC	1-1/2" IC
907BKM	610F01*	447F43*		609F37*
908BKM				
910KM				

Note: Cylinder collar packets contain a collar and spring washer.
*Specify finish when ordering packets.



Mortise



Description	Cylinder Type	55	M57	V57	T33M55	T34M55	T35M55	T33M57	T34M57	T35M57	3357T
7 Pin	1000-114-A07-7	X		X							X
	1000-134-A07-7		X		X	X	X	X	X	X	
Access 3 Patented	1500-114-A07	X		X							X
	1500-134-A07		X		X	X	X	X	X	X	
Access 3 Security	1600-114-A07	X		X							X
	1600-134-A07		X		X	X	X	X	X	X	
Access 3 High Security	1700-114-A07	X		X							X
	1700-134-A07		X		X	X	X	X	X	X	
Access 3 IC Patented	1580-114-A07	X		X							X
	1580-134-A07		X		X	X	X	X	X	X	
Access 3 IC Security	1680-114-A07	X		X							X
	1680-134-A07		X		X	X	X	X	X	X	
Access 3 IC High Security	1788-114-A07	X		X							X
	1788-134-A07		X		X	X	X	X	X	X	
Pyramid Security	1027-114-A07	X		X							X
Pyramid Security IC	1037-114-A07	X		X							X
	1037-134-A07		X		X	X	X	X	X	X	
Pyramid High Security	1020-114-A07	X		X							X
Pyramid High Security IC	1030-114-A07	X		X							X
	1030-134-A07		X		X	X	X	X	X	X	
Pyramid IC IC 6 Pin IC 6 Pin - Red IC 6 Pin - Blue IC 6 Pin - Green	1080-114-A07	X		X							X
	1080-134-A07		X		X	X	X	X	X	X	
Pyramid IC (Disposable) Pyramid IC Less Core IC 6 Pin Less Core IC 6 Pin (Disposable)	1070-114-A07	X		X							X
	1070-134-A07		X		X	X	X	X	X	X	
SFIC 6 Pin Less Core IC 6 Pin w/ SFIC (Disposable)	1040-114-A07	X		X							X
	1040-134-A07-7										
Security	1010-114-A07	X		X							X
	1010-134-A07		X		X	X	X	X	X	X	
Security IC	1090-114-A07	X		X							X
	1090-134-A04		X		X	X	X	X	X	X	
IC 7 Pin IC 7 Pin - Red IC 7 Pin - Blue IC 7 Pin - Green	1080-134-A07-7		X		X	X	X	X	X	X	
IC 7 Pin Less Core IC 7 Pin (Disposable)	1070-134-A07										
SFIC 7 Pin Less Core IC 7 Pin w/ SFIC (Disposable)	1040-134-A07		X		X	X	X	X	X	X	

ASSA ABLOY is the global leader in door opening solutions, dedicated to satisfying end-user needs for security, safety and convenience



ASSA ABLOY

In U.S.

Corbin Russwin
Architectural Hardware
225 Episcopal Road
Berlin, CT 06037
Phone: 800-543-3658
Fax: 800-447-6714
corbinruswin.com

In Canada

ASSA ABLOY Door
Security Solutions Canada
160 Four Valley Drive
Vaughan, Ontario
Canada L4K 4T9
Phone: 800-461-3007
Fax: 905-738-2478
www.assaabloy.ca

For more information regarding Corbin Russwin Locksets, Exit Devices, Door Controls and Key Systems, contact your authorized Corbin Russwin Distributor or Sales Representative.

Corbin Russwin and Design® is a registered trademark of Corbin Russwin, Inc, an ASSA ABLOY Group company. Other products' brand names may be trademarks or registered trademarks of their respective owners and are mentioned for reference purposes only. These materials are protected under US copyright laws. All contents current at time of publication. Corbin Russwin, Inc., an ASSA ABLOY Group company reserves the right to change availability of any item in this catalog, its design, construction, and/or its materials. Copyright © 2014-2016 Corbin Russwin, Inc., an ASSA ABLOY Group company. All rights reserved. Reproduction in whole or in part without the express written permission of Corbin Russwin, Inc. is prohibited.