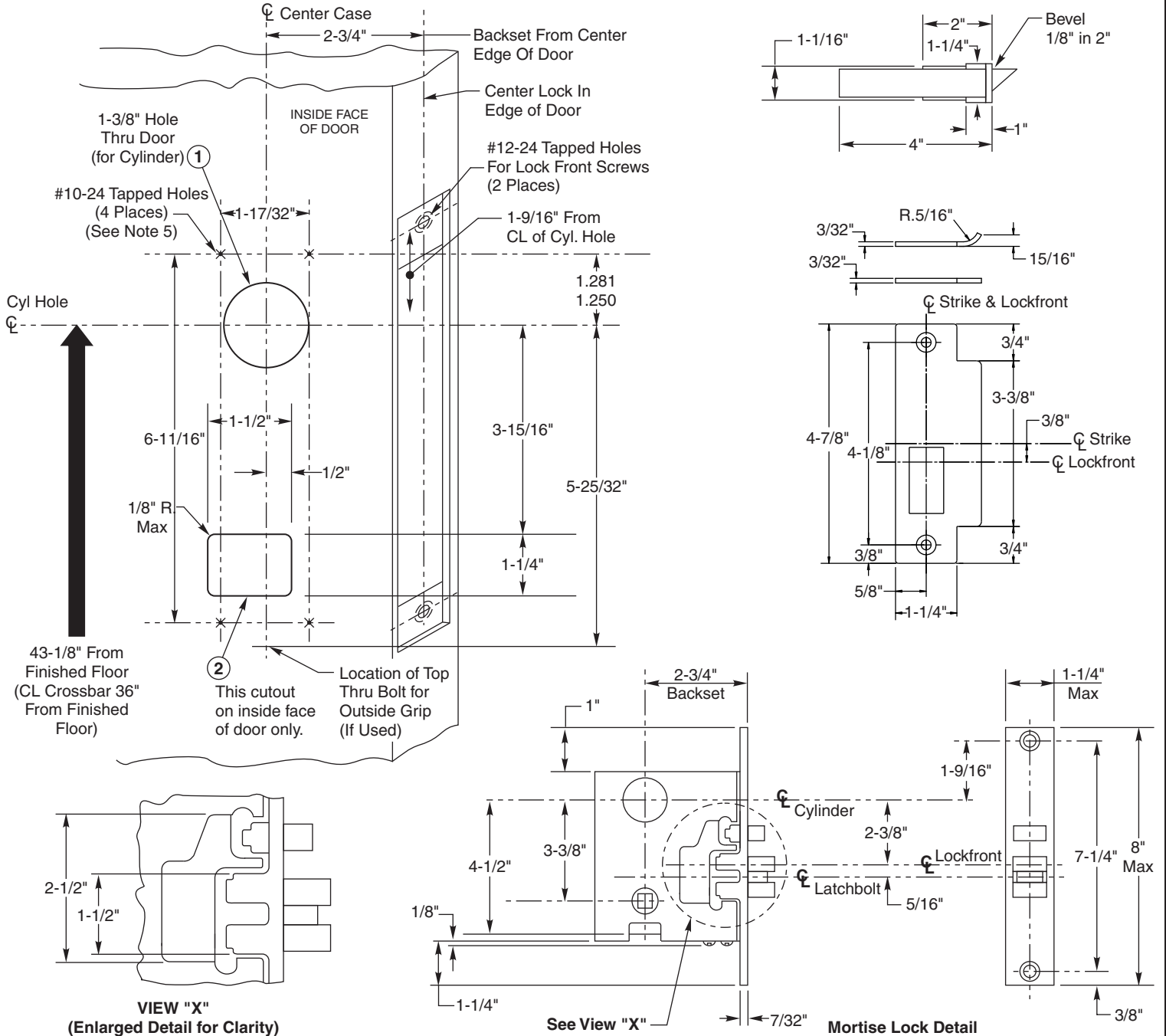


Notes:

1. Tolerance on all fractional dimensions $\pm 1/64"$.
2. Recommend that all tapped holes be drilled & tapped in field.
3. Surface of door where exit device is to be applied, must be flush.
4. For glass beaded doors, if glass bead cannot be removed, use glass bead shim kit (available on order).
5. To assure complete retraction of the latch bolt when the crossbar is depressed, do not drill and tap these holes until applying exit device. Application instructions packed with each exit device.

FUNCTION	Cutout Req'd	
	1	2
57	●	●
50		●
55		●
10		●
10T		●
55T	●	●



RESPONSIBILITY
 DOOR AND FRAME MANUFACTURERS ARE RESPONSIBLE FOR PROVIDING ADEQUATE CONSTRUCTION OR REINFORCEMENTS FOR PROPER INSTALLATION OF HARDWARE SHOWN. ALL ARCHITECTURAL BUILDERS HARDWARE MUST BE INSTALLED ON PROPERLY REINFORCED DOORS AND FRAMES, REGARDLESS OF TYPE, MATERIAL, OR METHOD OF CONSTRUCTION.

ED3600 Mortise Exit Device Metal Door



ASSA ABLOY
 www.corbinrusswin.com

SUPERSEDES	T31224-3	DO NOT SCALE DRAWING
TEMPLATE NUMBER	T31224-4	DATE
		04-16