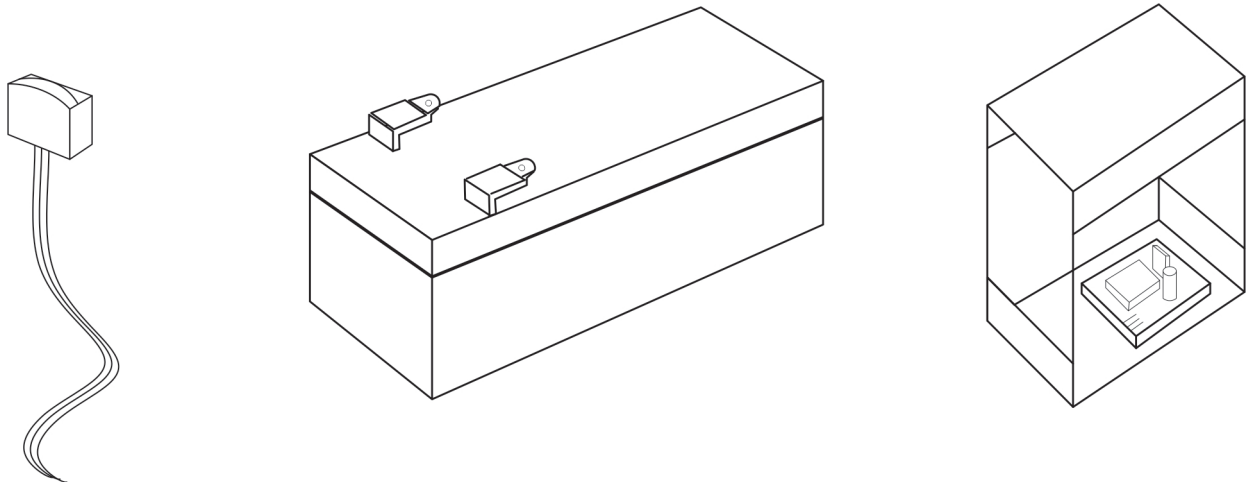


# Model 784

## Remote Power Supply

For:

- Access 800® Access Control Devices
- ED4000 & ED5000 Series x M61 Alarm Exit Devices
- ED40AK & ED50AK Series Alarm Exit Kits with ElectroLynx® Connector System



### **⚠ WARNING**

This product can expose you to lead which is known to the state of California to cause cancer and birth defects or other reproductive harm. For more information go to [www.P65warnings.ca.gov](http://www.P65warnings.ca.gov).

<b>TOC</b>	<b>Table of Contents</b>
<b>1</b>	<b>Required Components for Access 800® Series .....2</b>
<b>2</b>	<b>Remote Power System.....3</b>
<b>3</b>	<b>General Description.....3</b>
<b>4</b>	<b>Specifications.....3</b>
<b>5</b>	<b>Installation/Connection Instructions .....3</b>
<b>6</b>	<b>Connector System Notes.....3</b>
<b>7</b>	<b>Installation Notes.....4</b>
<b>8</b>	<b>Installing &amp; Wiring Access 800® Series Locks and Exit Trim to 784 Power Supply...4</b>
<b>9</b>	<b>Installing &amp; Wiring Access ED4000 &amp; ED5000 Series x M61 Alarm Exit Devices and ED40AK &amp; ED50AK Alarm Exit Kits to 784 Power Supply .....6</b>

**Important:**

- This power unit is intended to be correctly oriented in a vertical or floor mount position.
- Remove alkaline batteries from Access 800® Series controller before connecting to Power Supply.
- Always exercise extreme caution when working with electricity. Power should be disconnected when connections to terminals are made.

## **1 Required Components for Access 800® Series**

Access 800® Series Power/Remote Unlocking (793F059) 7" Harness (Ref: M35) for ElectroLynx® door.

### **Power Transfer Device**

- ElectroLynx® doors - QC (quick connect) electric hinge with wires/8-pin connectors.  
Optional Harness Numbers:  
(709F879) 36" harness for retrofitting doors with straight through wire run to QC (quick connect) hinge. Leads come pinned. Connector installed in field, once wire is fed through door via wire run.

### **Non ElectroLynx® doors**

- Concealed Circuit Hinge or alternative:  
(709F889) 180" harness for doors without straight through wire run, such as metal reinforced doors without connector system or pin wires. Add 8-pin connector for ElectroLynx® doors (with connectors).

## Remote Power Supply

### Installation Instructions

## 2

### Remote Power System

1	793F049	Plug-in Wall Transformer
2	793F089	12 VDC / 1.2 A/Hr Gel Cell Battery (optional)
3	794F309	9 VDC Power Supply Circuit Board
Not Shown	793F059	Cable Assembly - Power Supply to Power Transfer

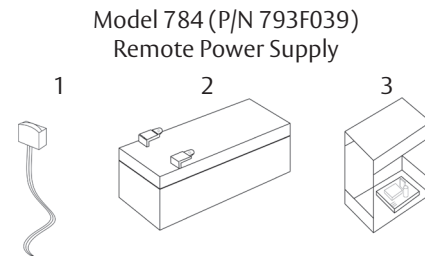


Figure 1

## 3

### General Description

Corbin Russwin's 784 (9 VDC, 700 ma) Regulated and Filtered Power Supply has been designed for use with Access 800® Series Access Control Products and Alarmed Exit Devices as an alternative remote power source for standalone units. Optional 12 VDC Gel Cell Battery (793F089) allows continuous operation in the event of power failure.

## 4

### Specifications

- Enclosed Power Supply Module - Provides regulated 9 VDC to standalone units and outputs 12 VDC to charge optional gel cell battery.
- Power/Remote Unlocking Harness - (793F059) (Ref: M35) Connects Access 800® Series controller to ElectroLynx® raceway harness 8-pin connector.
- Plug-in Wall Transformer 16.5 VAC, 2.4 Amps (UL/cUL Listed) - 793F049 provides input voltage to enclosed Power Supply Module.

## 5

### Installation/Connection Instructions

These instructions are provided in addition to instructions packaged with Access 800® Series Access Control Products and Alarm Exit Devices and should be read completely before any installation is attempted.

Each 784 Power Supply can supply power to:

- 2 - Access 800 Series Locks and Exit Trim
- 6 - Alarm Exit Devices (ED4000 and ED5000) or Alarm Exit Kits (ED40AK and ED50AK).
- Refer to Section 8 for installation and wiring Access 800® Series Locks and Exit Trim.
- Refer to Section 9 for installation and wiring Alarm Exit Devices.

## 6

### Connector System Notes

The system is designed to be installation friendly. Only wiring required is to loosen wires on pigtail harness assembly on frame side of electric hinge.

## 7

### Installation Notes

1. With new applications, a raceway harness with 8-pin and 4-pin ElectroLynx® connectors will be pre-installed inside doors manufactured by ASSA ABLOY door manufacturers when specified during ordering process.
2. Wiring to pigtail harness is per facility wiring requirement. Rail, raceway, electric hinge, and pigtail connector terminations and wire colors all match.
3. If door does not have a raceway harness with ElectroLynx® connectors, either consult factory for raceway retrofit kit or cut connectors off product and hard wire as required per local code.

## 8

### Installing & Wiring Access 800® Series Locks and Exit Trim to 784 Power Supply

#### Important

Remove six AA batteries from Access 800® Series Controller.

1. Mount Power Supply Module within 12' wire run to electric hinge. 120 VAC power source must be within 12' of Power Supply Module.

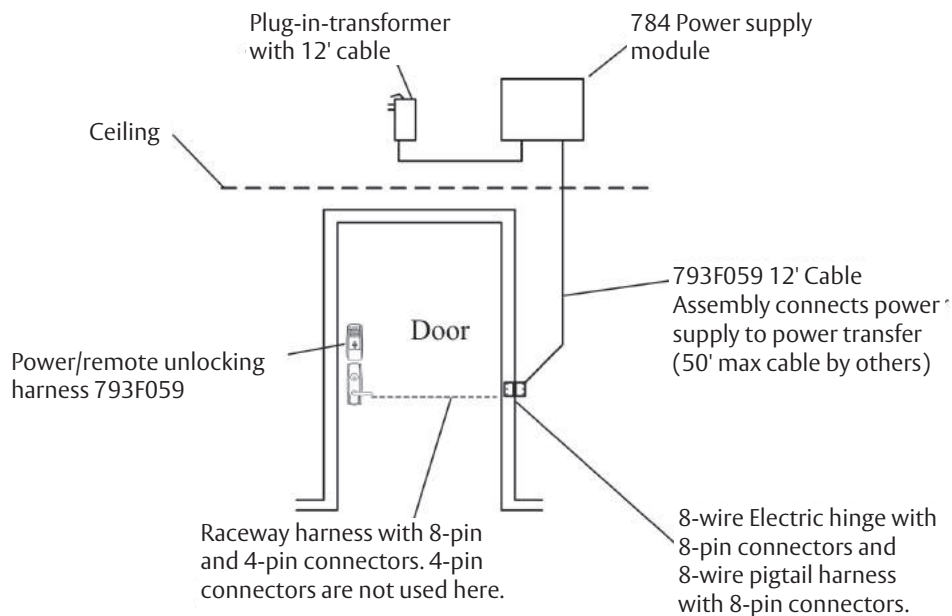


Figure 2

2. Connect Power/Remote Unlocking Harness to TB2 on controller.

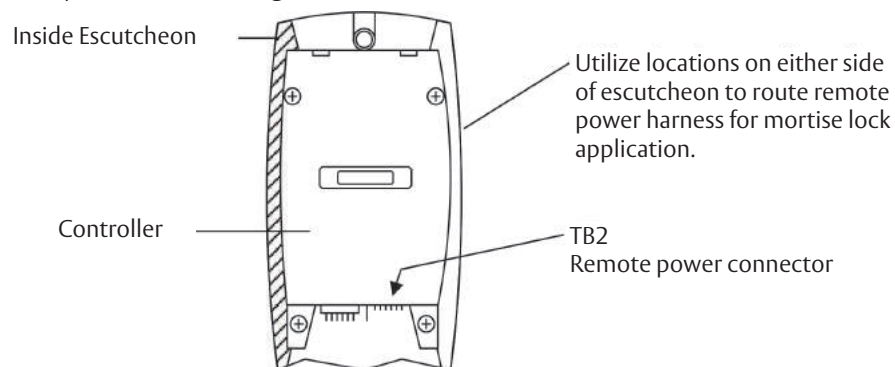


Figure 3

## 8

### Installing & Wiring Access 800® Series Locks and Exit Trim to 784 Power Supply (cont.)

3. Mount escutcheon on door following instructions provided with unit.

- Access 800® Cylindrical Lock CL33834
- Access 800® Mortise Locks ML20833, ML20834, ML20835, ML20836
- Access 800® Exit Device Trims 9833, 9834, 9M833, 9M834

**NOTE:**

Be sure to connect "Quick Connect" end of ground wire to "E3" on controller assembly.

- Refer to system wiring diagram and wire all connections to Pigtail Harness Assembly, Power Supply Circuit Board and Plug-in Transformer as indicated.
- Plug Pigtail Harness Assembly connector into Electric Hinge 8-pin connector.
- Connect (optional) battery if required.
- Wire remote unlock option as indicated if required.
- Ensure all wiring is correct before plugging the Plug-in Transformer into a 120 VAC outlet. Test lock.

**Note**

Cap off all unused wires to prevent shorting.

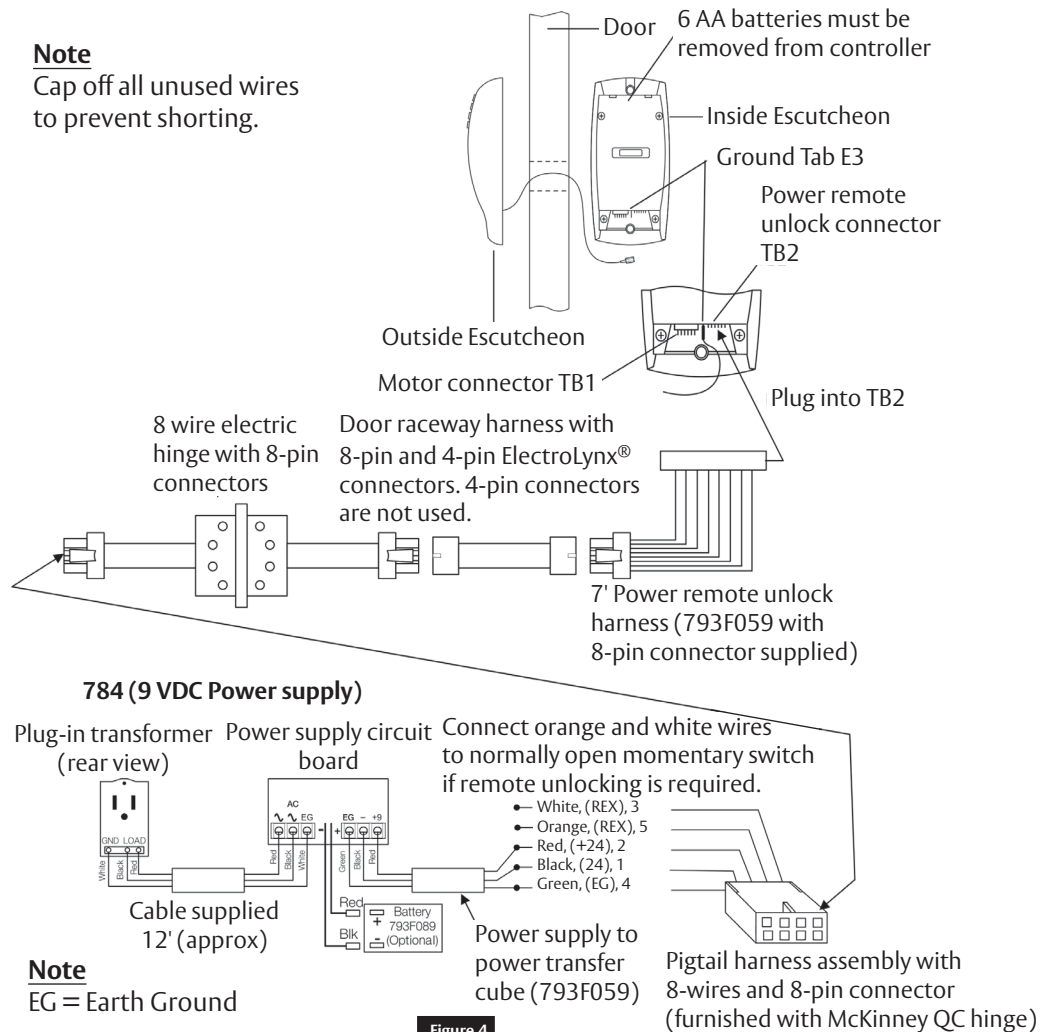


Figure 4

**Note**

EG = Earth Ground

### 9

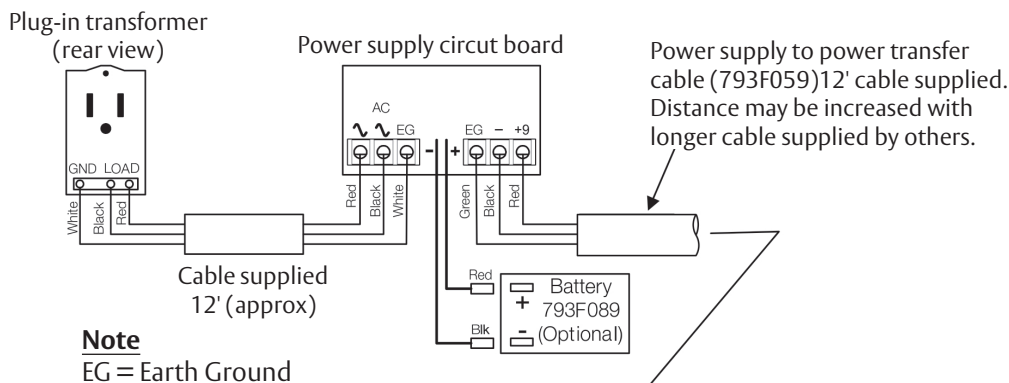
## Installing & Wiring Access ED4000 & ED5000 Series x M61 Alarm Exit Devices and ED40AK & ED50AK Alarm Exit Kits to 784 Power Supply

### Important:

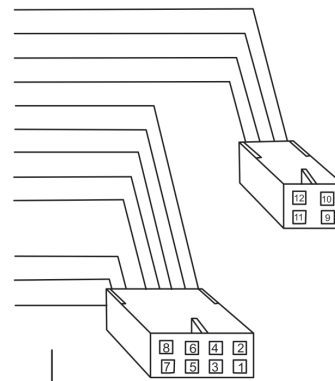
Remove 9 volt battery from Alarm Exit PC Board.

1. Mount Power Supply Module. If using cable (793F059) supplied, mount module with 12' wire run to electric hinge (power transfer). Power Supply Module may be located further than 12' (50' Max). Additional cable required to be supplied by others.
2. Refer to system wiring diagram below and wire all connections to Power Supply Circuit Board and Plug-in Transformer as indicated. Connect (optional) battery if required.

### 784 (9 VDC power supply)



Color	Connector position	Function
Tan	12	Remote Reset (No)
Pink	11	Remote Reset (No)
Grey	10	Remote DPS/Tamper (No)
Violet	9	Remote DPS/Tamper (No)
Yellow	8	Remote Relay (Nc)
Brown	7	Remote Relay (No)
Blue	6	Remote Relay (C)
Orange	5	Rex (No)
White	3	Rex (No)
Red	2	Power 9 VDC (+)
Black	1	Power 9 VDC (-)
Green	4	Earth Ground



( See Figure 4 )

### Note

Cap off all unused wires to prevent shorting.

Figure 5

## 9

### Installing & Wiring Access ED4000 & ED5000 Series x M61 Alarm Exit Devices and ED40AK & ED50AK Alarm Exit Kits to 784 Power Supply (cont.)

3. Connect ED4000 or ED5000 Series Alarm Exit Device to 9 VDC (+) 9 VDC (-) and Earth Ground utilizing ElectroLynx® Connector System. An Alarm Hardwire Harness will be required to connect to Alarm Exit PC Board. This harness is available as an option (Ref: M35) when ordered with an Alarm Exit Device. Harness can also be ordered separately by specifying following part numbers.

#### For all Alarm Exits except Surface Vertical Rod (SVR):

- 709F989 Alarm Hardwire Harness (36" Device)
- 709F999 Alarm Hardwire Harness (48" Device)

#### For SVR Alarm Exits:

- 720F309 SVR Alarm Hardwire Harness (36" Device)
  - 720F319 SVR Alarm Hardwire Harness (48" Device)
  - Refer to instructions FM248 (latest revision) packed with Alarm Hardwire Harness for connections to Alarm Exit PC Board.
4. Ensure all wiring is correct before plugging the Plug-in Transformer into a 120 VAC outlet. Test alarm device.

The ASSA ABLOY Group is the global leader in access solutions. Every day, we help billions of people experience a more open world.

ASSA ABLOY Opening Solutions leads the development within door openings and products for access solutions in homes, businesses and institutions. Our offering includes doors, frames, door and window hardware, locks, perimeter fencing, access control and service.



Corbin Russwin, Inc.  
225 Episcopal Road  
Berlin, CT 06037 USA  
Phone: 800-543-3558  
Fax: 800-447-6714  
[www.corbinrusswin.com](http://www.corbinrusswin.com)

Corbin Russwin is a brand associated with ASSA ABLOY Access and Egress Hardware Group, Inc., an ASSA ABLOY Group company. Copyright © 2017, 2019, ASSA ABLOY Access and Egress Hardware Group, Inc. All rights reserved. Reproduction in whole or in part without the express written permission of ASSA ABLOY Access and Egress Hardware Group, Inc. is prohibited.

For installation assistance contact Corbin Russwin  
1-800-543-3658 • [techsupport.corbinrusswin@assaabloy.com](mailto:techsupport.corbinrusswin@assaabloy.com)

FM232B 07/19