

Surface Vertical Rod

ED5400 (A) Series & ED5470 (B) Series

Exit Devices



WARNING

This product can expose you to lead which is known to the state of California to cause cancer and birth defects or other reproductive harm. For more information go to www.P65warnings.ca.gov.

TOC	Table of Contents
1	General Information.....3
a	Change Hands.....5
b	1/4-20 Sex Nut Option.....5
c	Rod Extension Options.....5
d	Maintenance.....6
e	Shim Kit Option.....6
2	Preparation.....6
a	Check Before Starting.....6
b	Mark Door.....7
c	Prepare Door, Frame, and Sill.....7
d	Clear Raised Door Molding.....8
e	Size Device.....8
3	Installation.....9
a	Install Device.....9
b	Set Latches, Strikes, and Guides.....9
c	Prepare Rods..... 10
d	Complete Installation..... 11
4	Plastic Installation Template for ED5000 Exit Devices..... 12

1

General Information

Top bracket and strike required for ED5470. (Figure 1)

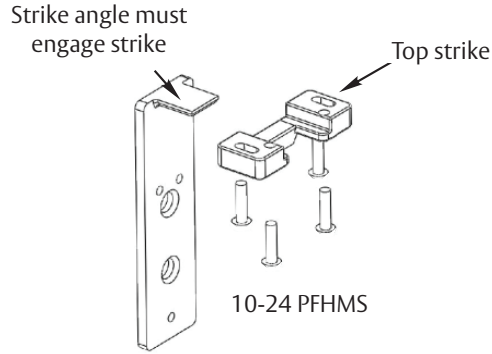


Figure 1

Popper assembly required for ED5470 (B) Series Fire-Rated Devices with Less Bottom Rod (M55 Option). (Figure 2)

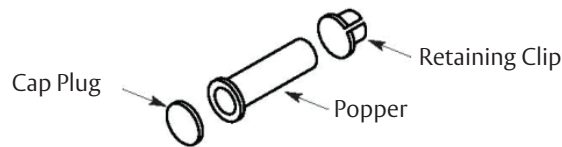


Figure 2

Note

Refer to separate instruction sheet FM547.

Note

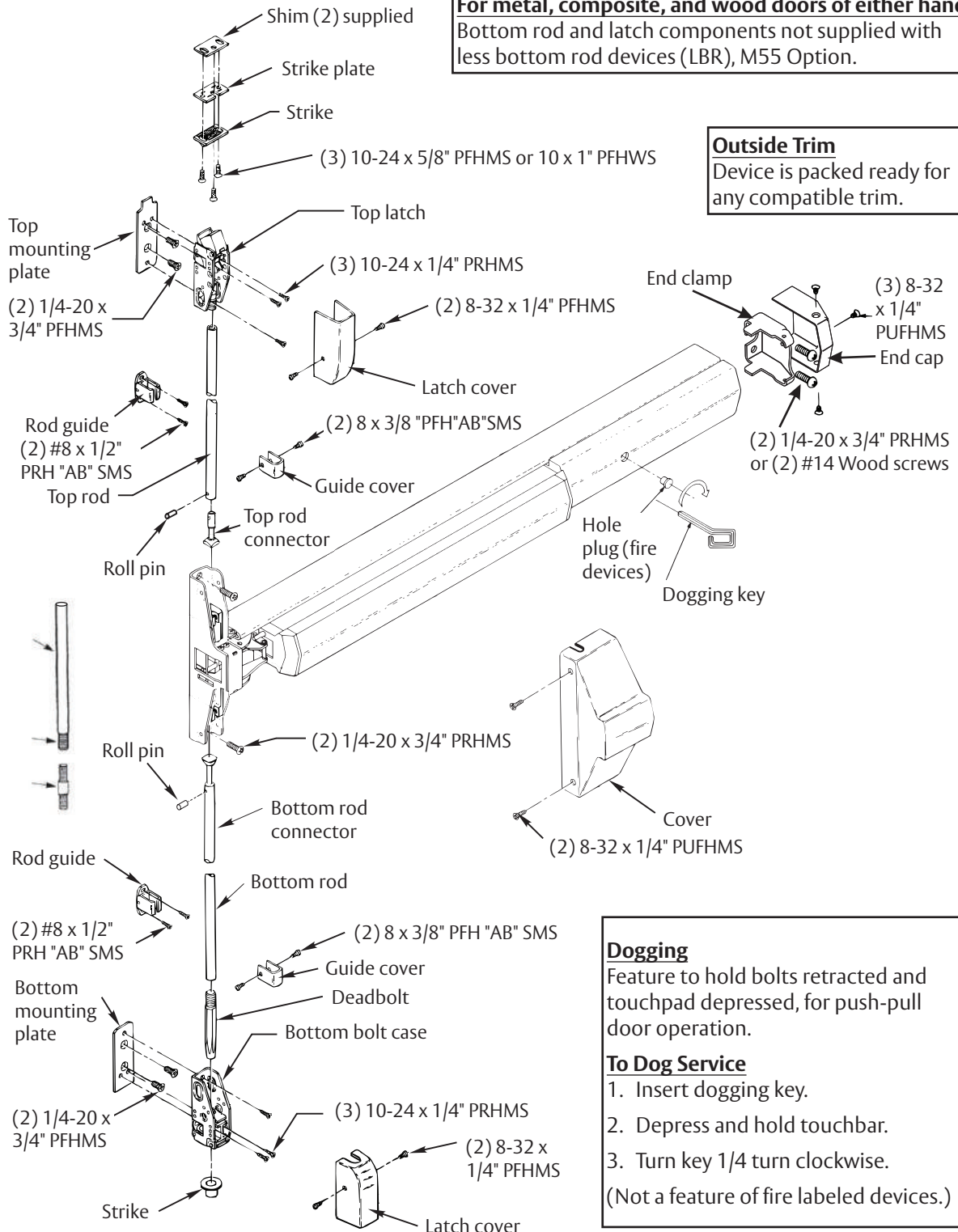
All dimensions are in inches unless otherwise noted.

1

General Information (cont.)

For metal, composite, and wood doors of either hand
Bottom rod and latch components not supplied with less bottom rod devices (LBR), M55 Option.

Outside Trim
Device is packed ready for any compatible trim.



Dogging
Feature to hold bolts retracted and touchpad depressed, for push-pull door operation.

To Dog Service

1. Insert dogging key.
2. Depress and hold touchbar.
3. Turn key 1/4 turn clockwise.

(Not a feature of fire labeled devices.)

Figure 3

1

General Information (cont.)

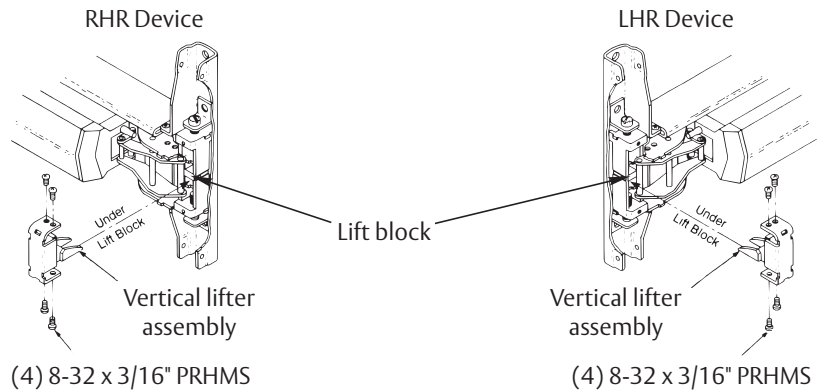
a

Change Hands

Remove four (4) screws and vertical lifter assembly. Rotate device to opposite hand (180°). Insert lifter assembly under lift block and re-install screws.

Note

Lifter must fit under lift block as shown. (Figure 4)



b

1/4-20 Sex Nut Option

Recommended for wood composite or unreinforced metal doors. (Figure 5)

Device	Quantity	Size
No trim	8	1/4 - 20
With trim	6	

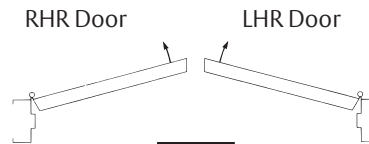


Figure 4

Note

Standard for Fire Rated doors.

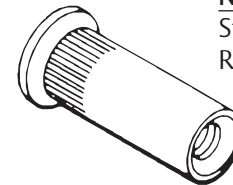


Figure 5

c

Rod Extension Options



Figure 6

- 2" (51 mm)
- 6" (152 mm)
- 12" (305 mm)
- 24" (610 mm)
- (Specify device finish)

1 General Information (cont.)

d Maintenance

1. Periodically remove covers and coat mechanisms with a silicone-based lubricant. This is particularly required in corrosive environments for proper product function.
2. Check mounting fasteners periodically. Retighten if found loose. Apply screw locking compound (available at automotive part stores) or change part fasteners if screws continue to back out.
3. Periodic checks (and adjustments) of strikes are required to compensate for changes in the opening (e.g. door sagging).

e Shim Kit Option

697F348 Black Finish

- Kit consists of (2) Latch Head Shims (Device Cover seats on shim) and (2) End Clamp Shims (End Cap seats on shim), (2) Top and Bottom Latch Shims (Bolt Case Mounting Plates seat on shim), and (4) Rod Guide Shims.
- Each shim is 1/8" (3.2 mm) thick. More than two shim thicknesses 1/4" (6.4 mm), require longer device mounting screws (not included).

2 Preparation

a Check Before Starting

Unreinforced Doors or Frames (Figure 8)

- Doors and Frames with walls having a structural thickness (metal skin plus reinforcement or solid hardwood) to engage less than (3) full screw threads are considered unreinforced.
- Unreinforced Doors: Use SNB (sex nuts and bolts).
- Unreinforced Frames: Use Blind Rivet Nuts.
- Recommended fasteners for unreinforced openings are not necessarily supplied by Corbin Russwin (Figure 7).

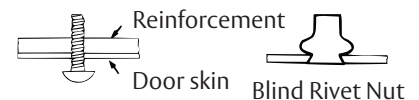


Figure 7

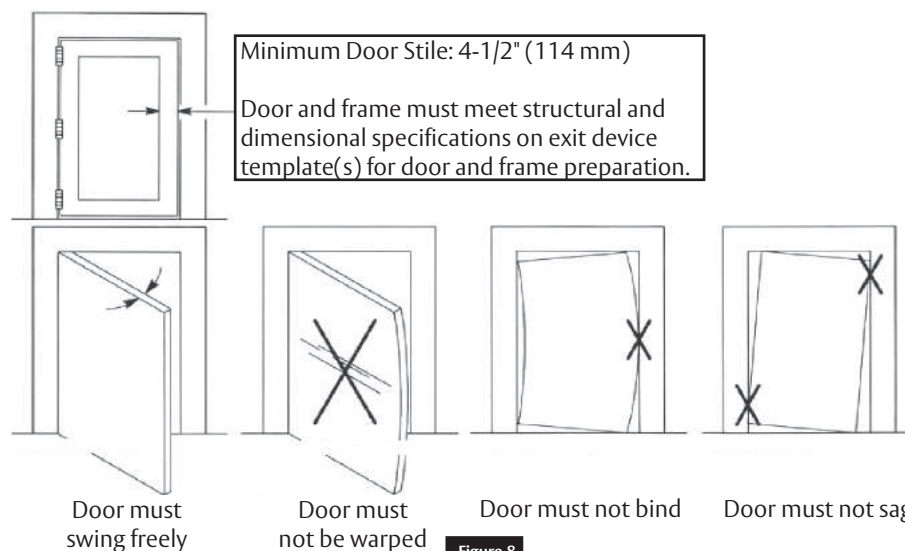


Figure 8

2

Preparation (cont.)

b

Mark Door

Locate and mark horizontal and vertical centerlines as shown. (Figure 9)

LHR door shown. Preparation is typical for both door hands.

Caution

If device is mounted higher or lower than shown, rod length must change. Lengthen or cut top and bottom rods as shown in Step 3c.

LBR

For ED5470 Series Less Bottom Rod Devices, skip bottom latch and strike installation steps and see separate instructions for ED5470 Series top latch and strike.

Note

Less Bottom Rod Devices should not be used where security is a primary concern.

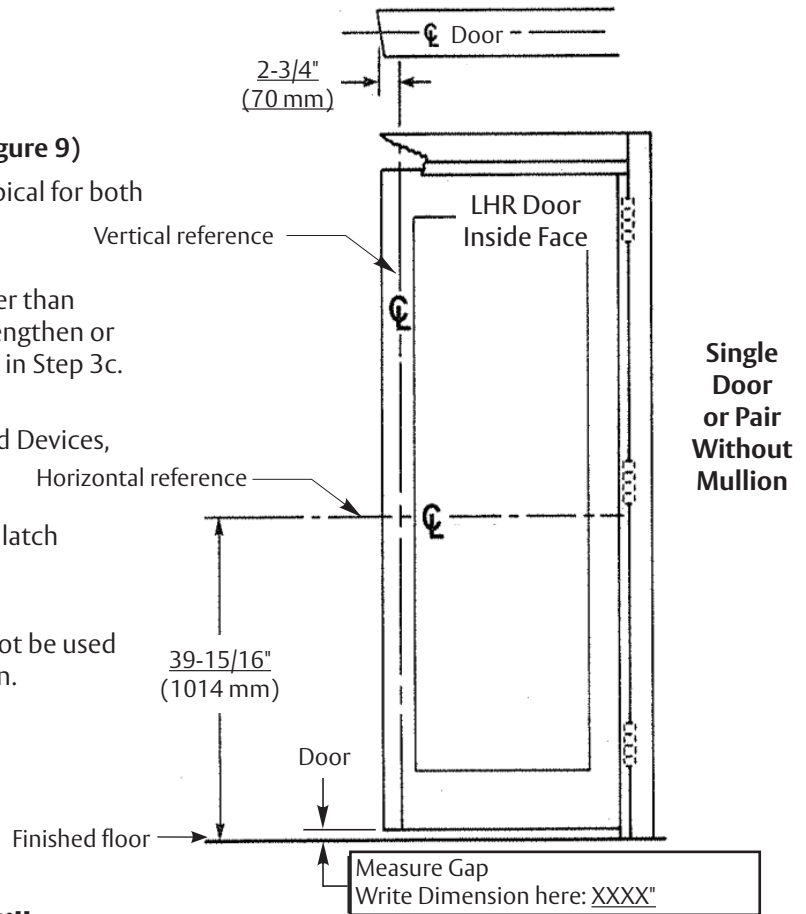


Figure 9

c

Prepare Door, Frame, and Sill

- Locate Device Template aligning VERTICAL REFERENCE and HORIZONTAL REFERENCE lines on door and template. Tape template to door face. (Figure 10)
- Extend centerline of Rod and Strikes from Device Template to top and bottom of door.
- Locate Top Latch/Strike, Bottom Case, and Bottom Strike templates, aligned on centerline of Rods and Strikes on door. Tape templates in place and mark holes.
- Locate and tape Trim Template to door (see instructions with Trim).
- Mark and prepare holes per installation template:

- **Device and Bolt Case Plates:**

Each: (2) 1/4-20 Machine Screws for metal reinforced doors
OR (2) 3/8" (10 mm) Dia. Sex Nuts & Bolts.

- **Top Strike:** ED5400 Series: (2) 10-24 Machine Screws, or (2) #10 Wood Screws.
ED5470 Series: (4) 10-24 Machine Screws.

- **Bottom Strike:** 5/8" (16 mm) Dia. 3/4" (19 mm) Deep hole.

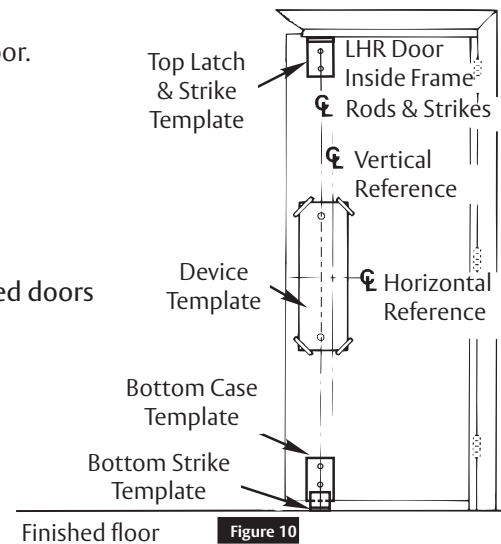


Figure 10

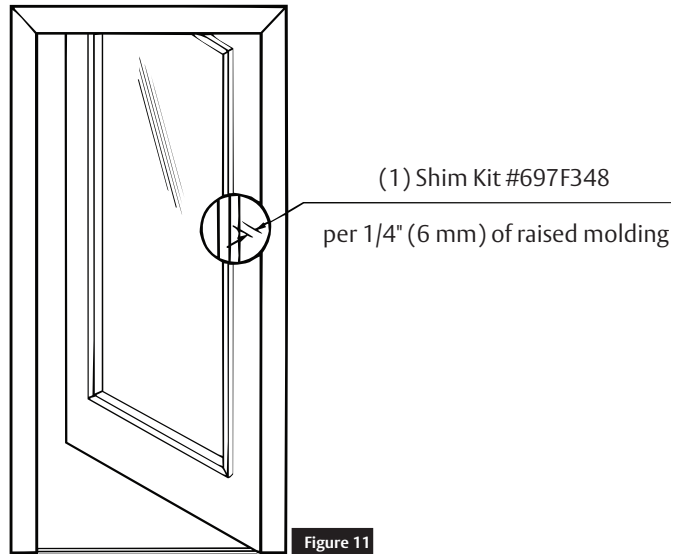
2

Preparation (cont.)

d

Clear Raised Door Molding

Device must seat flush on door surface or on the shims that keep it parallel to door face. (Figure 11)



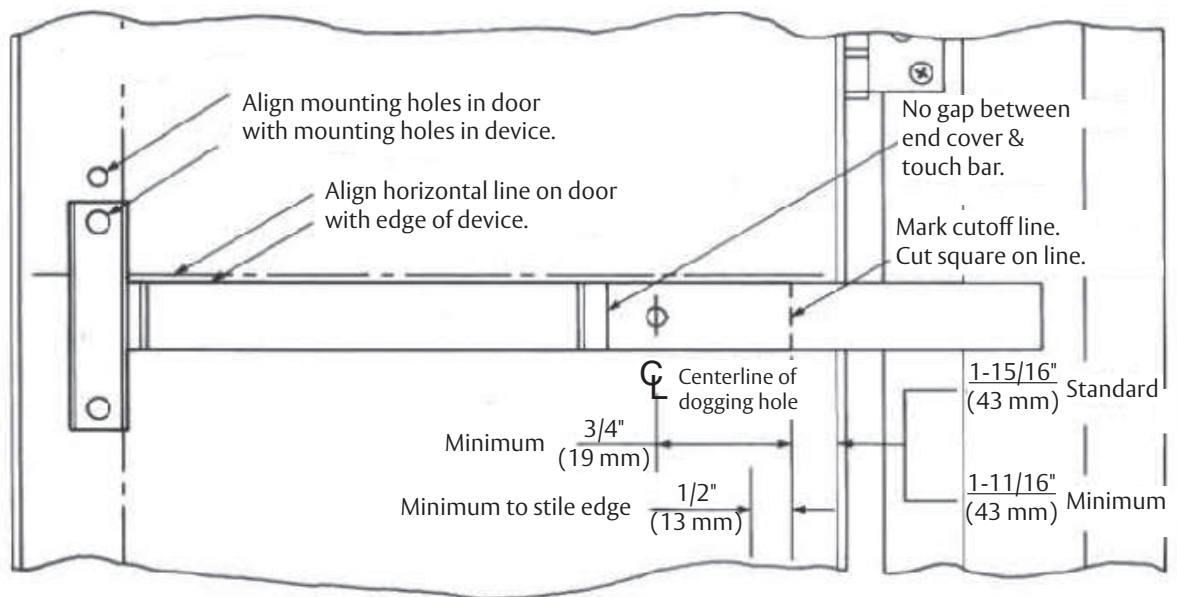
Longer mounting screws are needed when more than (2) shims of 1/8" thick are used. See Shim Kit Option in Step 1e.

e

Size Device

Device must be field-cut to size unless standard opening and device are 36" (0.91 m).

LHR Door Open 90° Inside Face (Figure 12)



3

Installation

a

Install Device

- A. Mount trim (Follow instructions with trim).
- B. Seat bar in place. Fasten device head (2 PRHMS or SNB). (Figure 13)
- C. Set bar level. Locate end clamp holes.
- D. Prepare end clamp mounting holes. Mount end clamp (2 #1/4-20 PRHMS or 3/8" (10 mm) dia. SNB).

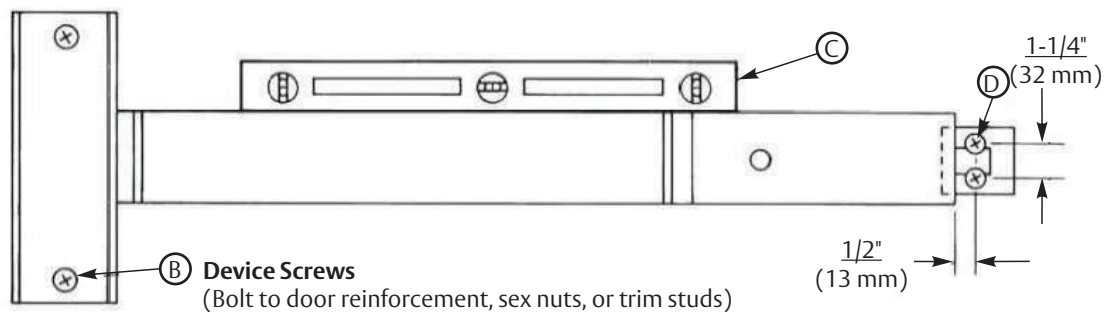


Figure 13

- E. Check slide action (Slide travel = 9/16" (14 mm))
 - Depress touchbar (slide should move up). Release touchbar (slide should fall back to original rest position).
 - Activate trim (slide should move up). Release trim activator (slide should fall back to rest position).
 - NOT FOR FIRE DEVICES - Depress touchbar, turn dogging key clockwise (bar must remain depressed, slide must remain in up position). Turn dogging key counterclockwise (bar should extend, slide should fall back to rest position).
- F. Tighten all mounting screws.

b

Set Latches, Strikes, and Guides

Top Strike Detail for ED5400 Series

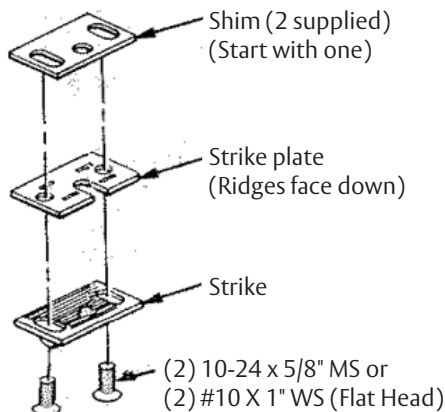


Figure 14

Top Strike Detail for ED5470 Series

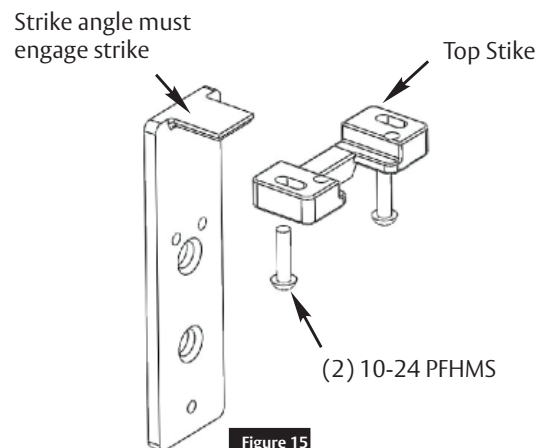


Figure 15

3

Installation (cont.)

c

Prepare Rods

Top Rod (Figure 16)

- Ready for 84" (2134 mm) Openings

Openings Under 84 (2134)

For top rod cutoff length, deduct Opening Height from 84" (2132 mm).

Example:

Opening = 80" (2032 mm)
 $84 - 80 = 4"$ or $(2134 \text{ mm}) - (2032 \text{ mm}) = (102 \text{ mm})$
 Top rod must be cut 4" (102 mm).

Openings Over 84 (2134)

For top rod additional length, deduct 84" (2134 mm) from Opening Height.

Example:

Opening = 99" (2515 mm)
 $99 - 84 = 15"$ or $(2515 \text{ mm}) - (2134 \text{ mm}) = (381 \text{ mm})$
 The top rod must be lengthened 15" (381 mm).

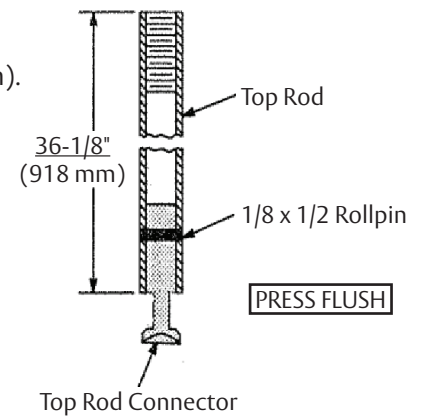


Figure 16

To Lengthen Rods (Figure 17)

- Use Rod Extension(s) to extend Rod to length needed or longer (2", 6", 12", or 24" Rod Extensions available).
- Cut excess length from end of rod with pin hole.
- Apply screw locking compound (available at automotive parts store) to Rod Extension(s) male threads. Thread Extension(s) until seated tight over Rod.

To Cut Rods

- Cut from the end with pin hole. NEVER CUT THREADED END.
- Press Jig until it bottoms over Rod.
- Drill 1/8" (3 mm) dia. hole thru, 3/8" (10 mm) from end of Rod.

Bottom Rods (Figure 18)

- Ready for 39-15/16" (1014 mm) Floor to device center

To Lower Device

- Bottom Rod cutoff length is distance that device was lowered below 39-15/16" (1014 mm).
- Add to top rod a length equal to the bottom rod cut.

Example:

Device at 36" (914 mm) from floor
 $39 - 15/16" - 36" = 3 - 15/16" (100 \text{ mm})$
 The top rod must be lengthened 3-15/16" (100 mm)

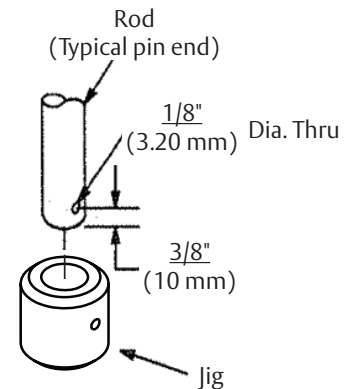


Figure 17

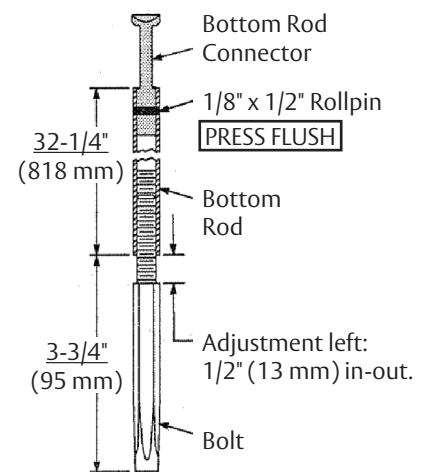


Figure 18

3

Installation (cont.)

d

Complete Installation

- A. Install rods as shown. (Figure 19)
- B. Set strike roller between tripping lever and bolt. Adjust and shim strike as needed.
- C. Test device action by touchbar, by trim, and by dogging. ADJUST AS NEEDED. Upper bolt should retract 1/2" (12 mm). Bolts extend when door shuts and top strike hits tripping lever.
- D. Adjust bottom rod (tilt rod out and turn).
- E. Adjust top rod (tilt rod out and turn).
- F. After acceptable device function, install third screw in top stike to lock stike in position (ED5400) 10-24 x 5/8" FHMS. Install two (2) remaining screws in top to lock strike (ED5470).
- G. Install latch covers, rod guide covers, and device cover. See Figure 1 for fastener specifications.

MAINTENANCE:

1. Periodically remove covers and coat mechanisms with a silicone base lubricant. This is particularly required in corrosive environments for proper product function.
2. Check mounting fasteners periodically. Retighten if found loose. Apply screw locking compound (available at automotive part stores) or change part fasteners if screws continue to back up.
3. Periodic checks (and adjustments) of rods is required to compensate for changes in the opening (e.g. door sagging).

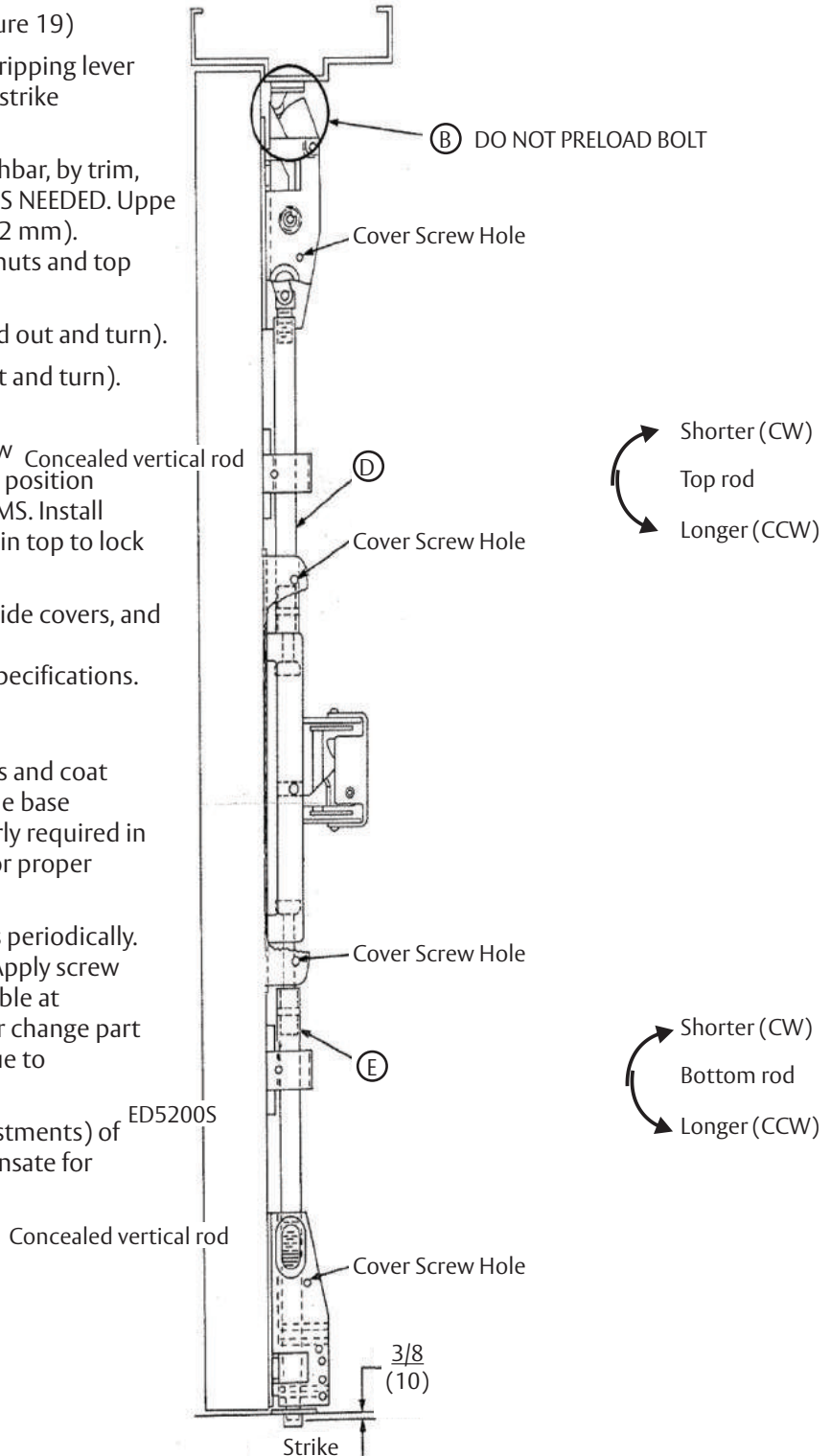


Figure 19

4

Plastic Installation Template for ED5000 Exit Devices

For use in conjunction with instruction sheets and door marker templates packed with exit device. Holes and slots are identified below by exit device series and trim. Prep door and frame for only those features required for the exit device being installed.

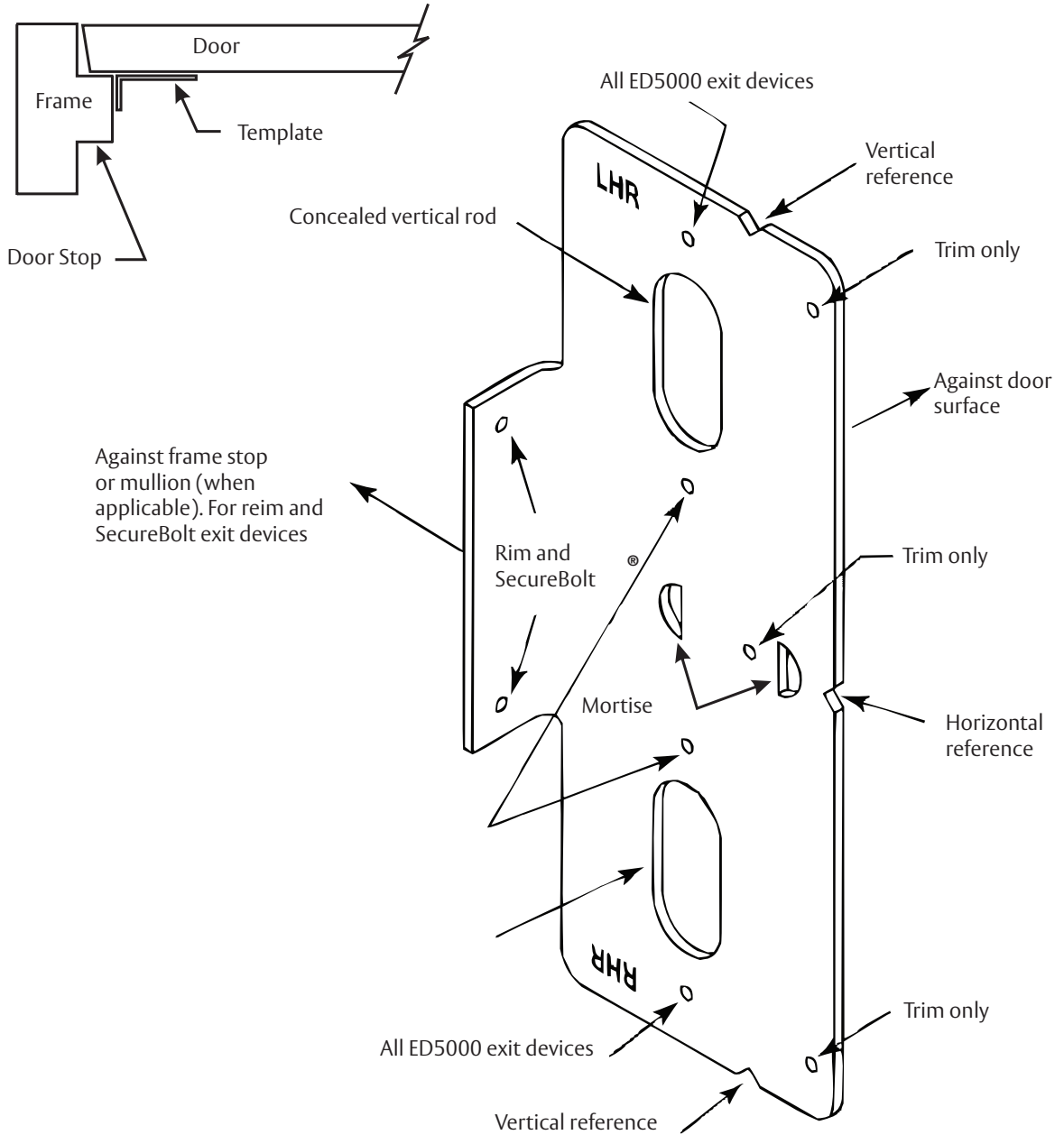


Figure 20

Surface Vertical Rod

Exit Devices

Installation Instructions



Page intentionally left blank.

Surface Vertical Rod

Exit Devices

Installation Instructions



Page intentionally left blank.

Surface Vertical Rod

Exit Devices

Installation Instructions



Page intentionally left blank.

The ASSA ABLOY Group is the global leader in access solutions. Every day, we help billions of people experience a more open world.

ASSA ABLOY Opening Solutions leads the development within door openings and products for access solutions in homes, businesses and institutions. Our offering includes doors, frames, door and window hardware, locks, perimeter fencing, access control and service.



Corbin Russwin, Inc.
225 Episcopal Road
Berlin, CT 06037 USA
Phone: 800-543-3558
Fax: 800-447-6714
www.corbinrusswin.com

Corbin Russwin is a brand associated with ASSA ABLOY Access and Egress Hardware Group, Inc., an ASSA ABLOY Group company. Copyright © 2013, 2019, ASSA ABLOY Access and Egress Hardware Group, Inc. All rights reserved. Reproduction in whole or in part without the express written permission of ASSA ABLOY Access and Egress Hardware Group, Inc. is prohibited.

For installation assistance contact Corbin Russwin
1-800-543-3658 • techsupport.corbinrusswin@assaabloy.com

FM164 09/19