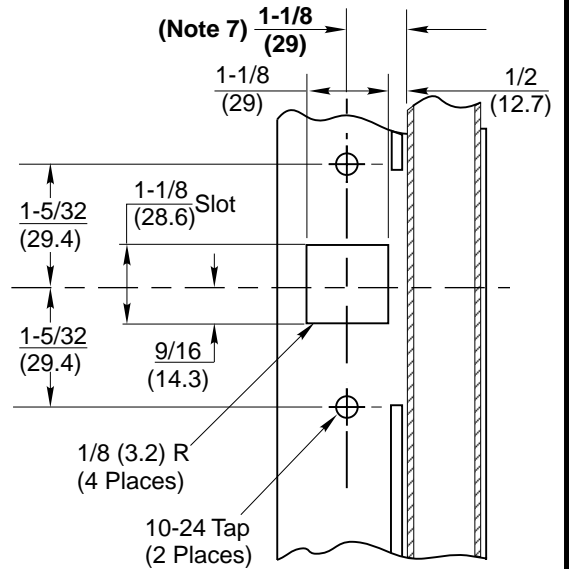
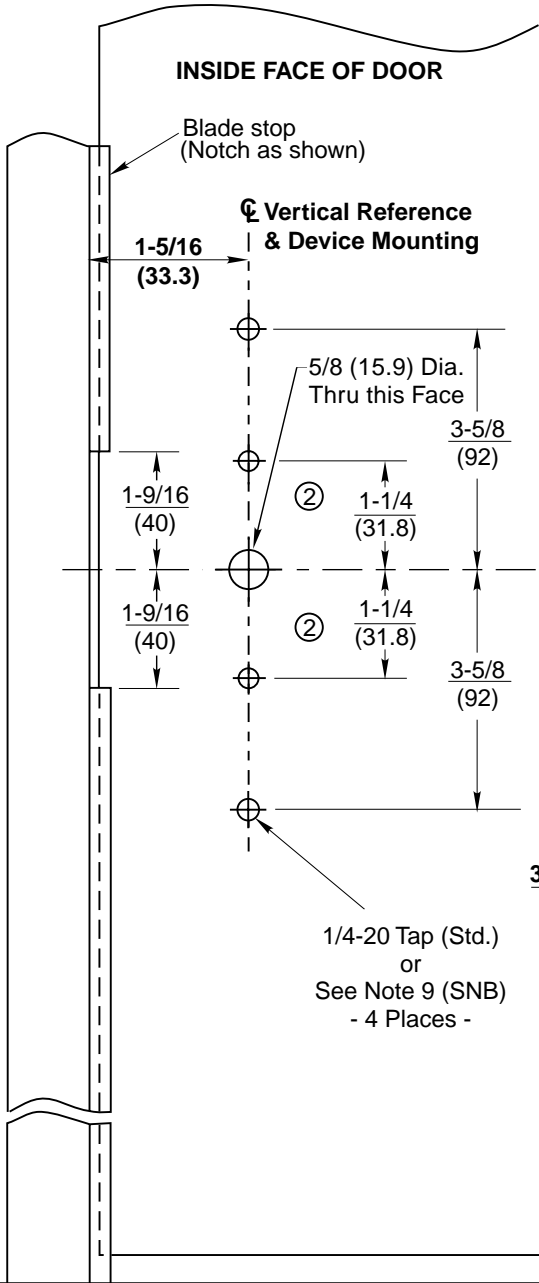


**Notes:**

1. Do not scale drawing.
2. Dimensions are in inches(mm).
3. LHR door shown. Preparation is typical for both door hands.
4. Minimum door stile width: 2(51).
5. Prepare mounting holes when installing the device.
6. Unreinforced frames require blind rivet nuts (by others) to mount the strike.
7. Dimension from door face.
8. For recommended door reinforcements see template T30800. Unreinforced doors require SNB option to mount the device components.
9. Holes for optional SNB: 9/32(7.00) dia., inside door face; 3/8(9.50) dia., outside door face.
10. Provide door stiffeners, as needed to prevent door collapse due to installation with power tools, door use, or abuse.
11. Device mount to hinge stile (not shown) requires hole location and preparation during device installation.
12. For trim preparation see appropriate trim template.
13. For electrical devices (suffixes M91, M92, M93, M94, M97) also see template T30890.



**Strike Preparation Detail**

**ED4200S Narrow Stile Security Deadbolt Rim Panic Devices**  
 Application for Aluminum Door and Blade Stop Frame  
 with 650F31 Strike



www.corbinrusswin.com

SUPERSEDES	T30926-1	DO NOT SCALE DRAWING
TEMPLATE NUMBER	<b>T30926-2</b>	DATE <b>8-06</b>