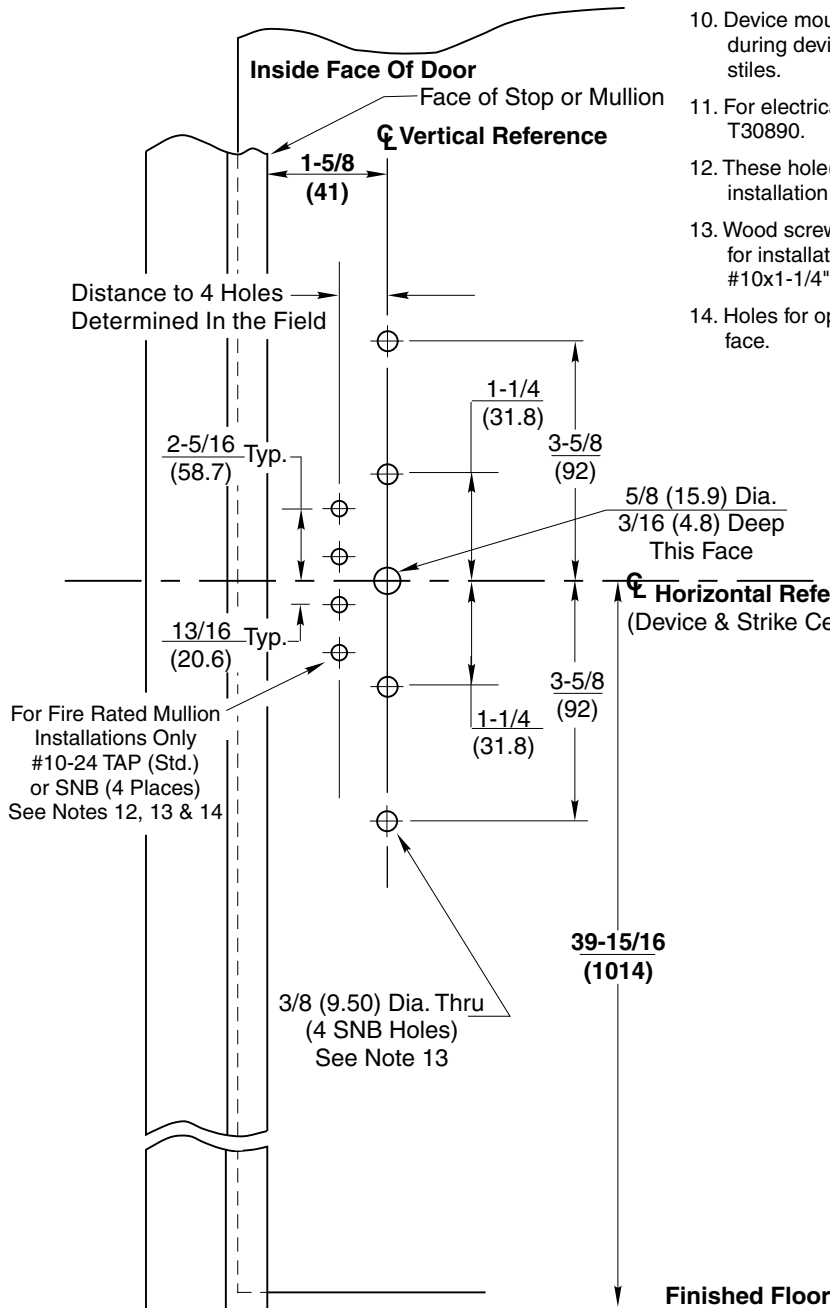


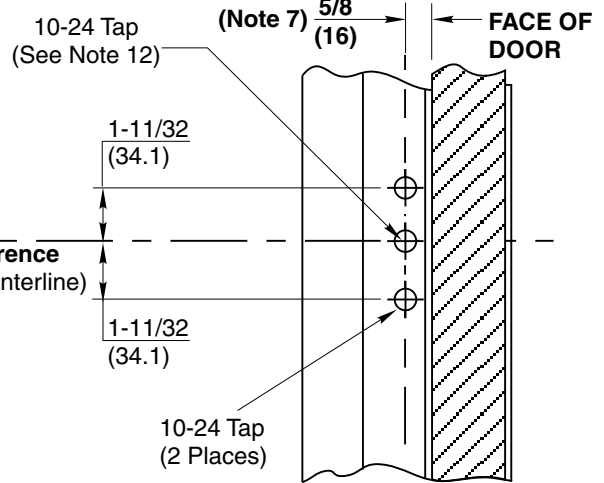
Strike Reinforcement
(See Note 6)

Notes:

1. Do not scale drawing.
2. Dimensions are in inches (mm).
3. LHR door shown. Preparation is typical for both door hands.
4. Minimum door stile width: 3-1/2 (89).
5. Prepare mounting holes when installing the device.
6. Unreinforced frames require blind rivet nuts (by others) to mount the strike.
7. Dimension from door face.
8. For outside trim preparation see appropriate trim template.
9. Provide adequate structural support to maintain door integrity after device installation with power tools, door use, or abuse.
10. Device mount to hinge stile (not shown) requires hole location and preparation during device installation. Door structural requirements are similar for both door stiles.
11. For electrical devices (suffixes M91, M92, M93, M94, M97) also see template T30890.
12. These hole(s) MUST be field located using physical part as template, after installation is complete and device is fully operational.
13. Wood screws (by others) permitted for solid core wood doors if pilot holes are used for installation, when door label allows its use. Device: #14x1-1/4"RHWS, interlock: #10x1-1/4" FHWS.
14. Holes for optional SNB: 9/32 (7.0) dia. inside door face; 3/8 (9.5) dia. outside door face.



For Fire Rated Mullion Installations Only #10-24 TAP (Std.) or SNB (4 Places) See Notes 12, 13 & 14



Strike Preparation Detail

FRAME TEMPLATE	MULLION		
	SERIES	SIZE	ILLUSTRATION
T30882	700 Series	1-1/2" x 3" (38 x 76)	<p>Doors 1-1/2" Mullion Width</p>
T31074	900 Series	2" x 3" (51 x 76)	<p>Doors 2" Mullion Width</p>
T31075	FE700 Series WS700 Series		

CAUTION: Width of mullion used with exit device will affect device backset. Determine Mullion Series and Width before prepping doors for exit devices.

ED4200SMA Series SecureBolt® Fire Exit Devices with 730F77 Strike
Application for Fire Labeled Wood or Composite Door and Hollow Metal Frame or Mullion

①

Corbin Russwin®
ASSA ABLOY

www.corbinrusswin.com

SUPERSEDES	T31096	DO NOT SCALE DRAWING
TEMPLATE NUMBER	T31096-1	DATE 11-18