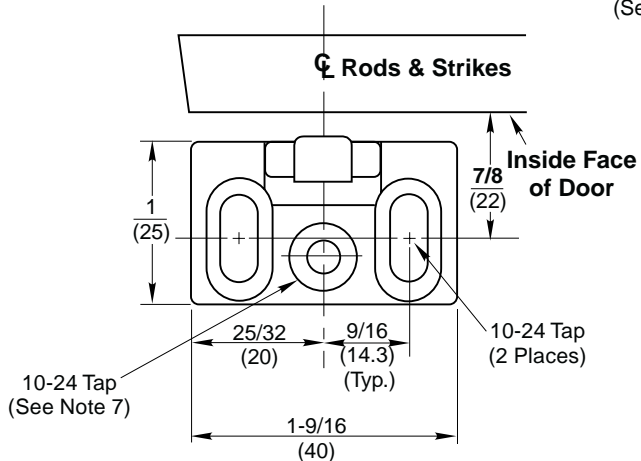
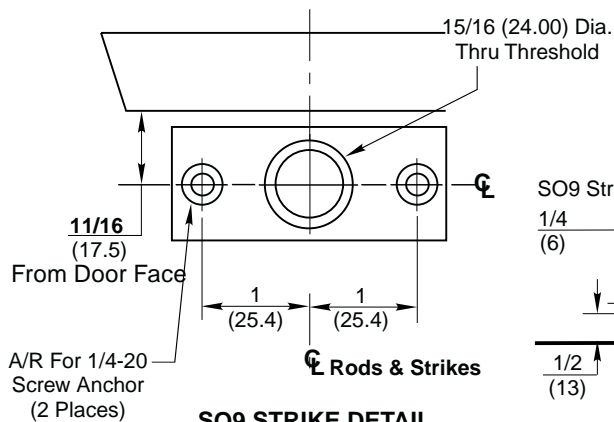


650F54 STRIKE DETAIL

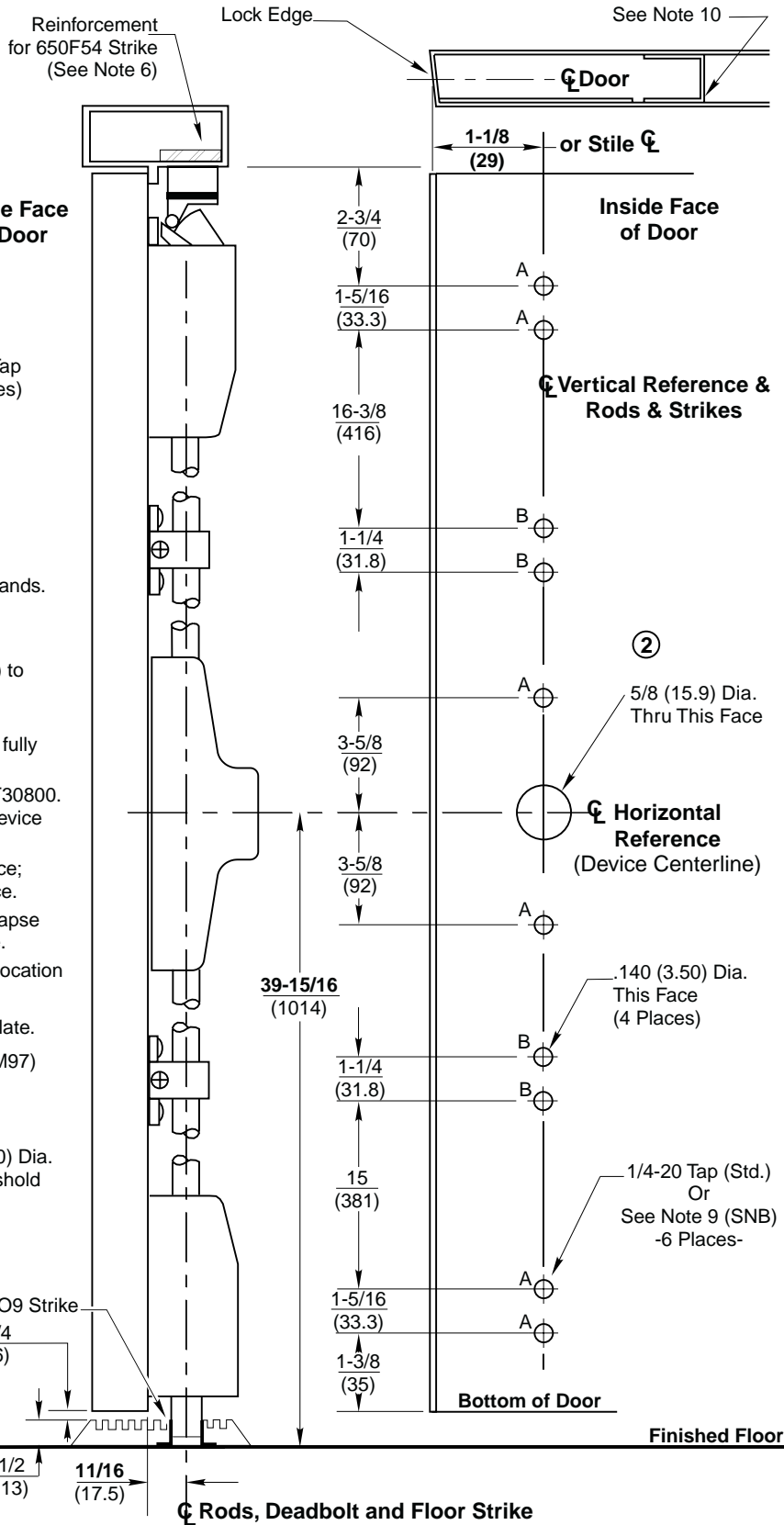


Notes:

1. Do not scale drawing.
2. Dimensions are in inches (mm).
3. LHR door shown. Preparation is typical for both door hands.
4. Minimum door stile width: 1-3/4 (45).
5. Prepare mounting holes when installing the device.
6. Unreinforced frames require blind rivet nuts (by others) to mount the strike.
7. This hole **MUST** be field located using physical part as template, after installation is complete and device is fully operational.
8. For recommended door reinforcements see template T30800. Unreinforced doors require SNB option to mount the device components.
9. Holes for optional SNB: 9/32 (7.00) dia., inside door face; 3/8 (9.50) dia., outside door face.
10. Provide door stiffeners, as needed to prevent door collapse due to installation with power tools, door use, or abuse.
11. Device mount to hinge stile (not shown) requires hole location and preparation during device installation.
12. For outside trim preparation see appropriate trim template.
13. For electrical devices (suffixes M91, M92, M93, M94, M97) also see template T30890.



**SO9 STRIKE DETAIL
(650F88)**



⌀ Rods, Deadbolt and Floor Strike

**ED4400 Series Narrow Stile
Surface Vertical Rod Panic Devices**
Application for Aluminum Door and Blade Stop Frame
with 1/2" Threshold and Optional SO9 Floor Strike



www.corbinrusswin.com

SUPERSEDES T30876-1 DO NOT SCALE DRAWING

TEMPLATE NUMBER **T30876-2** DATE **3-01**