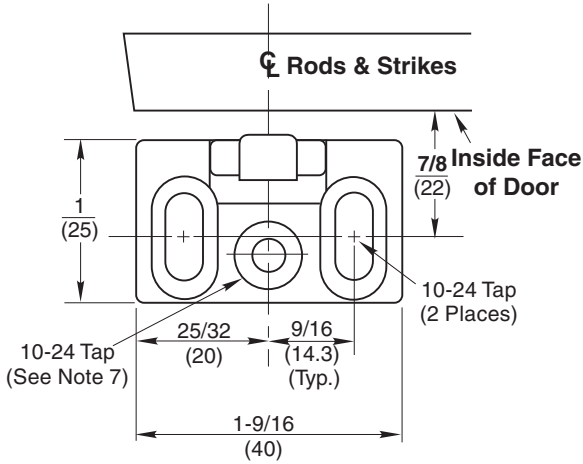
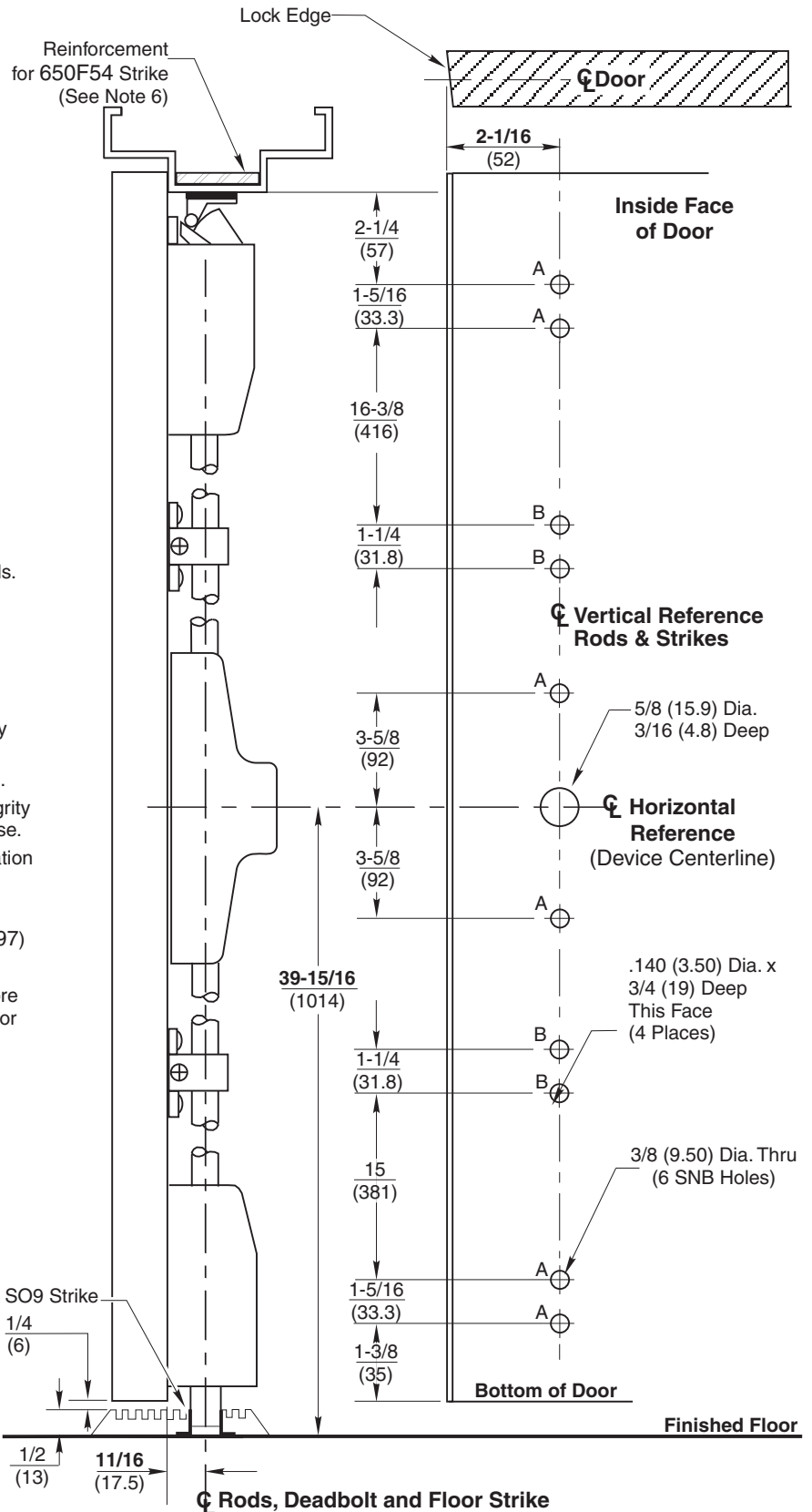
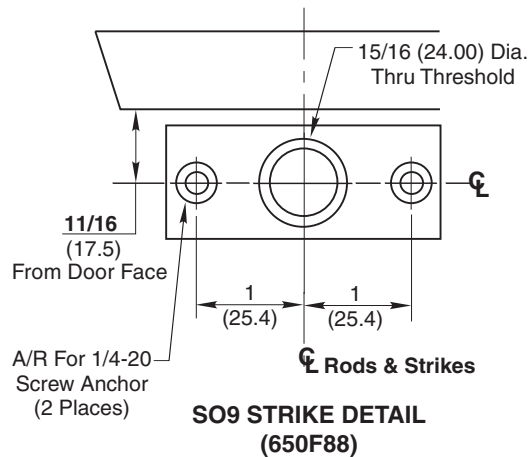


**650F54 STRIKE DETAIL**



**Notes:**

1. Do not scale drawing.
2. Dimensions are in inches (mm).
3. LHR door shown. Preparation is typical for both door hands.
4. Minimum door stile width: 3-1/2 (89).
5. Prepare mounting holes when installing the device.
6. Unreinforced frames require blind rivet nuts (by others) to mount the strike.
7. This hole MUST be field located using physical part as template, after installation is complete and device is fully operational.
8. For outside trim preparation see appropriate trim template.
9. Provide adequate structural support to maintain door integrity after device installation with power tools, door use, or abuse.
10. Device mount to hinge stile (not shown) requires hole location and preparation during device installation. Door structural requirements are similar for both door stiles.
11. For electrical devices (suffixes M91, M92, M93, M94, M97) also see template T30890.
12. Wood screws #14x1-1/4" (by others) permitted for solid core wood doors if pilot holes are used for installation, when door label allows its use.



**ED4400M & ED4400MA Series Surface Vertical Rod Exit Devices with Optional SNB**  
 Application for Wood or Composite Door and H.M. Frame with 1/2" Threshold and SO9 Optional Floor Strike



**ASSA ABLOY**

www.corbinrusswin.com

SUPERSEDES	DO NOT SCALE DRAWING
TEMPLATE NUMBER	DATE
<b>T31155</b>	<b>05-09</b>