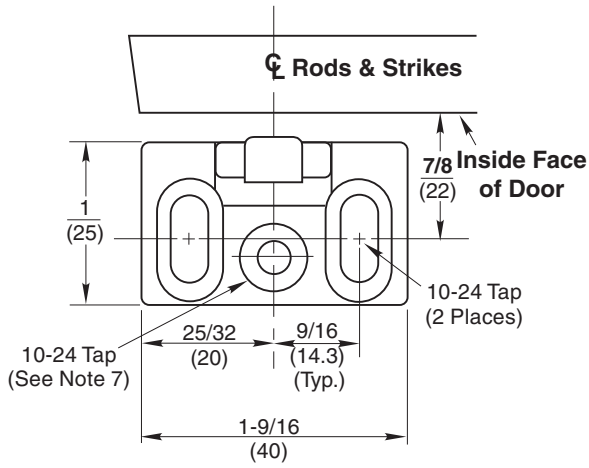
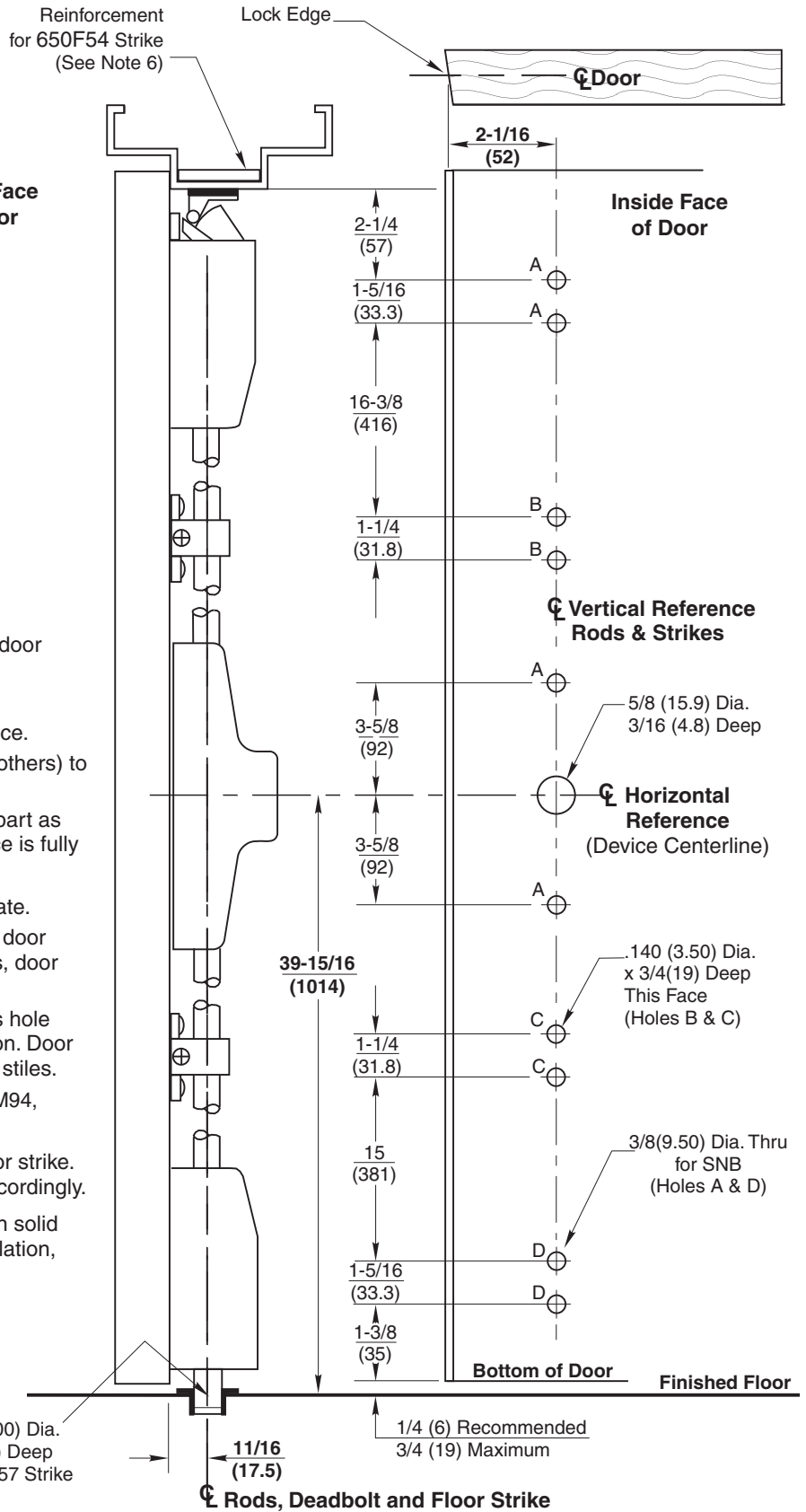


650F54 STRIKE DETAIL



Notes:

1. Do not scale drawing.
2. Dimensions are in inches (mm).
3. LHR door shown. Preparation is typical for both door hands.
4. Minimum door stile width: 3-1/2 (89).
5. Prepare mounting holes when installing the device.
6. Unreinforced frames require blind rivet nuts (by others) to mount the strike.
7. This hole **MUST** be field located using physical part as template, after installation is complete and device is fully operational.
8. For trim preparation see appropriate trim template.
9. Provide adequate structural support to maintain door integrity after device installation with power tools, door use, or abuse.
10. Device mount to hinge stile (not shown) requires hole location and preparation during device installation. Door structural requirements are similar for both door stiles.
11. For electrical devices (suffixes M91, M92, M93, M94, M97) also see template T30890.
12. Bottom bolt should retract to 1/8 (3.2) above floor strike. Floor coverings in the door path must be laid accordingly.
13. Wood screws #14x1-1/4" (by others) permitted in solid core wood doors if pilot holes are used for installation, when door label allows its use.
14. Maximum Opening Height:
 8' (2.44M) for ED5400A
 10' (3.05M) for ED5400



ED4400M & ED4400MA Series
Surface Vertical Rod Exit Devices
 Standard Application for Wood or Composite Door
 and H.M.Frame



ASSA ABLOY

www.corbinrusswin.com

SUPERSEDES	DO NOT SCALE DRAWING
TEMPLATE NUMBER	DATE
T31158	05-09