

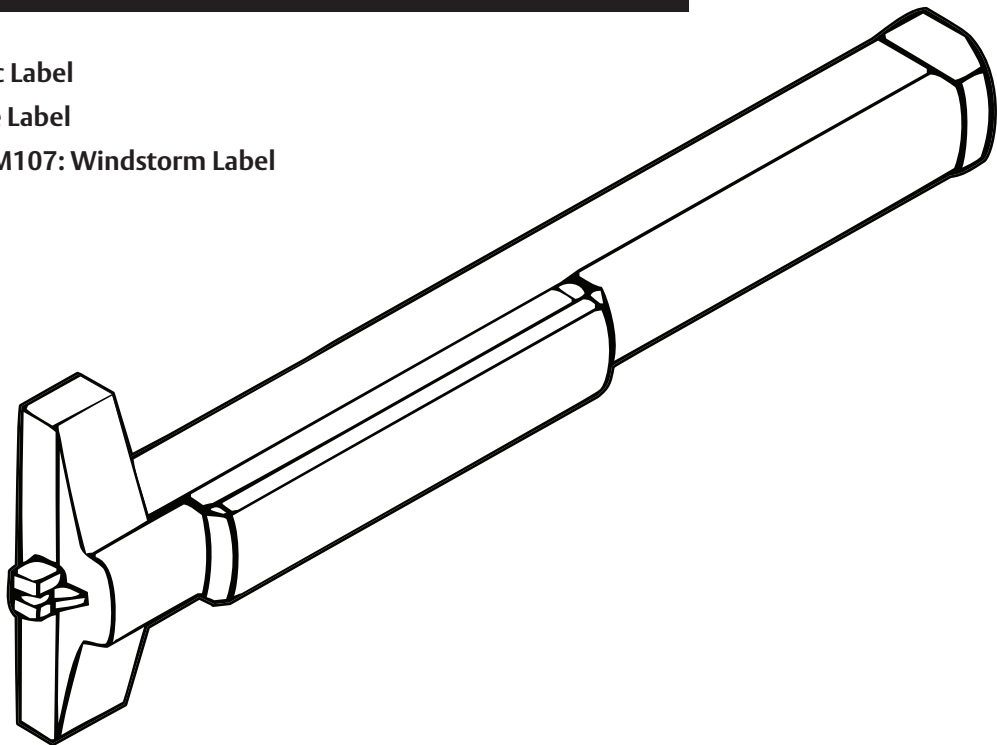
# ED5200(A) ED5200S (A) Series

Rim & Securebolt® Exit Devices  
Single Doors or Pairs with Mullion

ED5200S: Panic Label

ED5200SA: Fire Label

ED5200S(A) x M107: Windstorm Label



**⚠ WARNING**

This product can expose you to lead which is known to the state of California to cause cancer and birth defects or other reproductive harm. For more information go to [www.P65warnings.ca.gov](http://www.P65warnings.ca.gov).

TOC	Table of Contents
1	Package Contents..... 3
2	Application and Kit Descriptions..... 4
a	Fire Rated Application ..... 4
b	Windstorm Application ..... 4
c	Windstorm Shim Kit ..... 4
d	Shim Kit Option (Raised Glass) ..... 4
e	Sex Nut Option ..... 4
3	Check Before Starting..... 5
4	Installation..... 6-10
a	Mark Door ..... 6
b	Prepare Door and Frame ..... 6
c	Size Device..... 7
d	Clear Raised Door Mounting..... 7
e	Install Device..... 8
f	Install Strike..... 9
g	Install Head Cover and End Cap..... 10
5	Maintenance ..... 10
6	Plastic Template Instructions ..... 11
7	RHR Door Template ..... 12
8	LHR Door Template ..... 13

#### Attention Installer

Please read these instructions carefully to prevent missing important steps.

#### Notes

- Improper installation may result in damage to lock and void factory warranty.
- Other product brand names may be trademarks or registered trademarks of their respective owners and are mentioned for reference only.

### Installation Instructions

# 1

## Package Contents

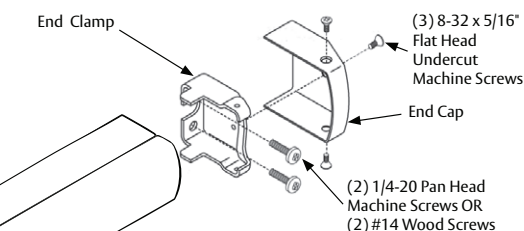
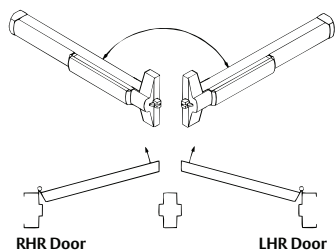
Packed for reinforced metal doors, optional sex nuts required for composite, wood, and unreinforced metal doors.

### Note

These installation instructions cover only standard products. To install options, use installation instructions packed with optional component, or contact the factory.

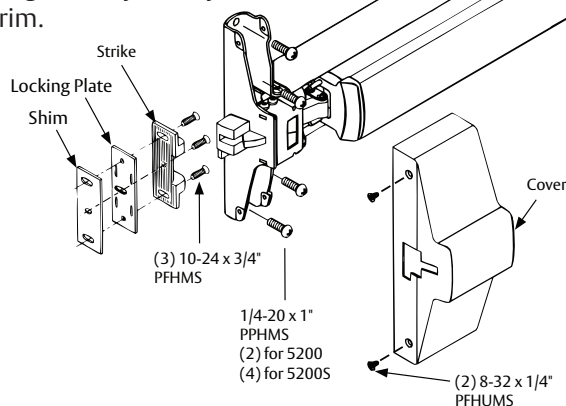
Abbreviation	Fastener Description
PPH "AB" SMS	Phillips pan head type "AB" sheet metal screw
PFHUMS	Phillips flat head under cut machine screw
PFHMS	Phillips flat head machine screw
PRH "AB" SMS	Phillips round head type "AB" sheet metal screw
PTH "AB" SMS	Phillips truss head type "AB" sheet metal screw
PPHMS	Phillips pan head machine screw
PFH "AB" SMS	Phillips flat head type "AB" sheet metal screw

For doors of either hand



### Outside trim

Device is packaged ready for any compatible trim.



### Dogging

Feature to hold bolts retracted and touchpad depressed, for push-pull door operation.

#### To Dog Device:

1. Insert dogging key.
  2. Hold touchbar depressed.
  3. Turn key 1/4 turn clockwise.
- (Not a feature of fire labeled devices.)

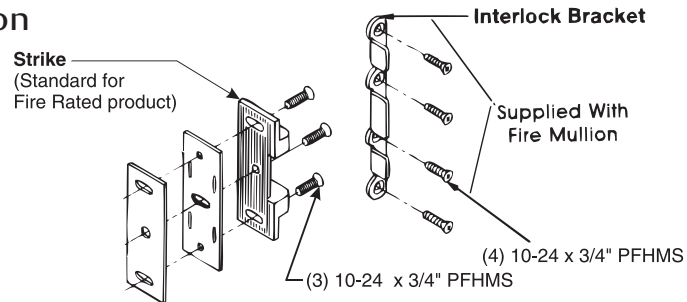
All dimensions are in inches (mm) unless otherwise noted.

## 2

### Application and Kit Descriptions

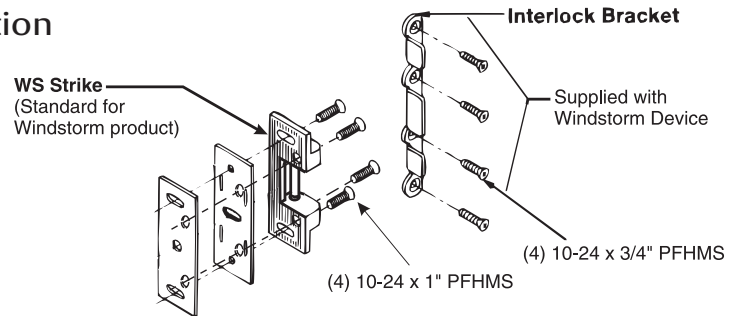
#### a

#### Fire Rated Application



#### b

#### Windstorm Application



#### c

#### Windstorm Shim Kit (Option only for 5200S)\*

Part Number: 710F468 Black Finish

Kit consists of (3) Latch Head Shims, (3) End Cap Shims, longer fasteners, and longer Spindle Assembly for trim.

Each Shim is 1/8 in. (3 mm) thick.

#### Note

Shim Kit required for Windstorm application.

\*Standard with ED5200S(A) x M107 Windstorm Devices

#### d

#### Shim Kit Option (Raised Glass)

Part Number: 697F338 Black Finish

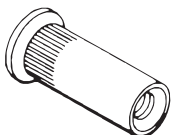
Kit consists of (2) Latch Head Shims, (2) End Cap Shims, longer fasteners, and longer Spindle Assembly for trim.

Each Shim is 1/8 in. (3 mm) thick.

More than two shim thicknesses will require longer device mounting screws.

#### e

#### Sex Nut Option



Standard for Fire Rated Doors.

Recommended for Unreinforced Metal Doors and Wood Door applications.

Device	Quantity	Size
All (Trim)	6	1/4 - 20
All (No trim)	2	
Fire Mullion (Add)	4	10 - 24

### 3

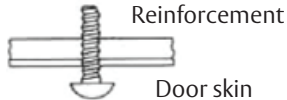
### Check Before Starting

#### Unreinforced Door or Frames

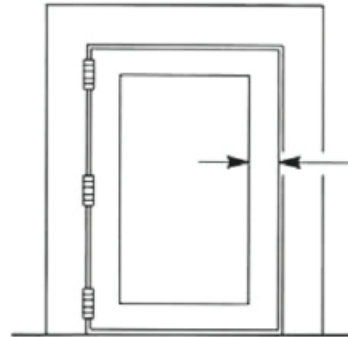
Doors and Frames with walls having a structural thickness (metal skin plus reinforcement, or solid hardwood) to engage less than (3) full screw threads, are considered unreinforced for hardware.

**Unreinforced Doors:** Use SNB (sex nuts and bolts).

Reinforced Door or Frame engages at least (3) screw threads.



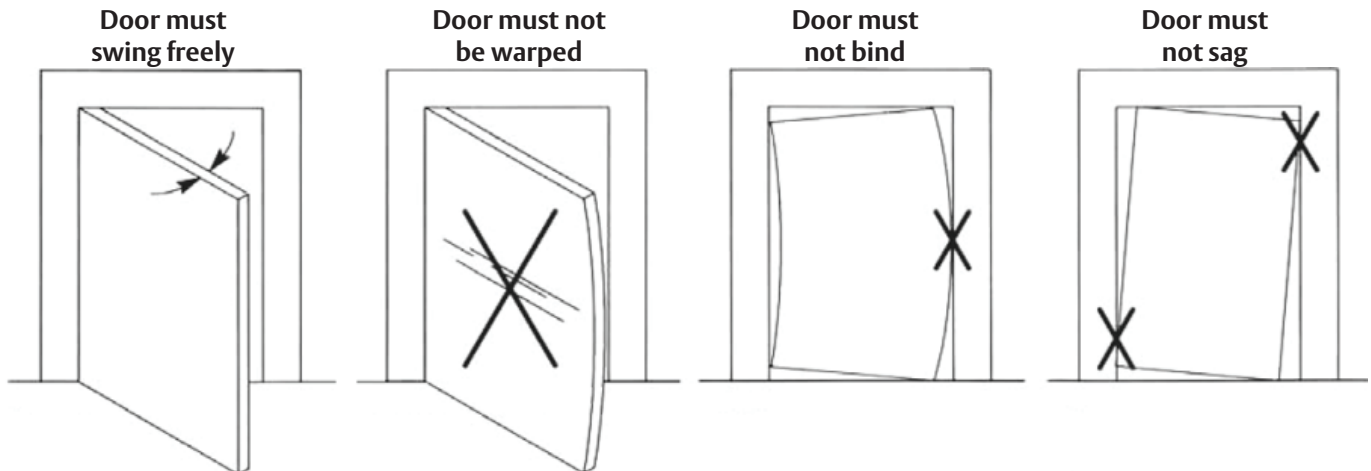
**Unreinforced Frames:** Use Blind Rivet Nuts.



**Minimum Door Stile 4-1/2 in. (114 mm)**  
Door and Frame must meet structural and dimensional specifications on exit device template(s) for door and frame preparation.

#### Note

Recommended fasteners for unreinforced openings are not necessarily supplied by Corbin Russwin, Inc.



# Rim & SecureBolt® Exit Devices

## ED5200 (A) & ED5200S(A) Series

### Installation Instructions



ASSA ABLOY

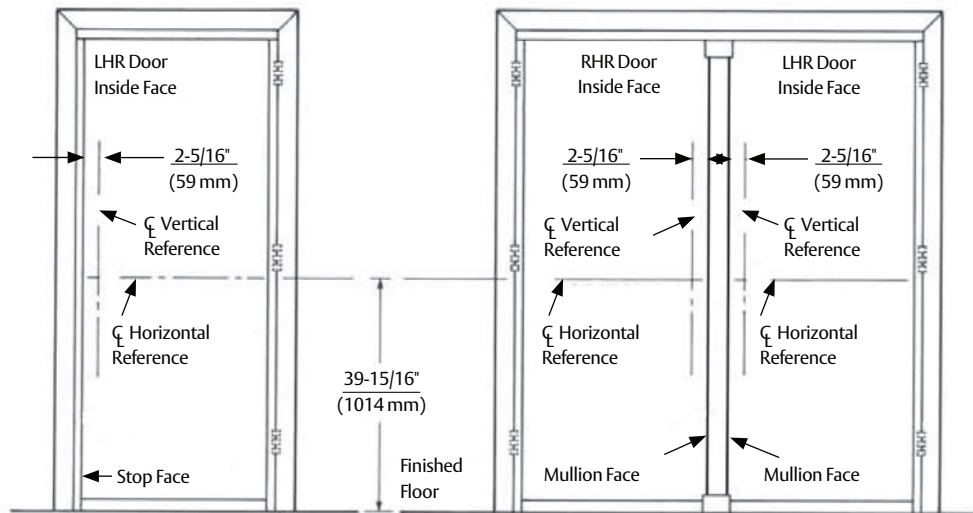
4

## Installation

a

### Mark Door

Locate and mark horizontal and vertical reference centerlines, as shown.



Typical Single Swing

Pair with Mullion

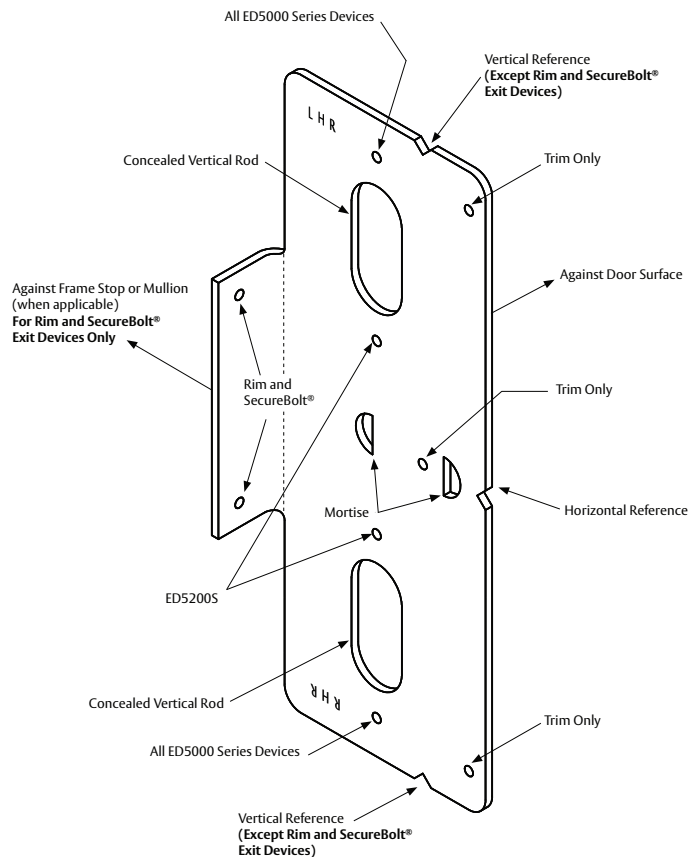
b

### Prepare Door and Frame

1. Seat template on door and stop faces.
2. Align horizontal and vertical centerlines.
3. Locate and tape Trim Template to door. (See instructions packed with Trim)
4. Spot and prepare holes. (See caution below).

Device: (2) 1/4"-20 Machine Screws (\*), or  
(2) 3/8" Dia. Sex Nuts & Bolts (10) \* Metal reinforced doors only.

Strike: (2) 10-24 Machine Screws, or  
(2) #10 Wood Screws



### Installation Instructions

4

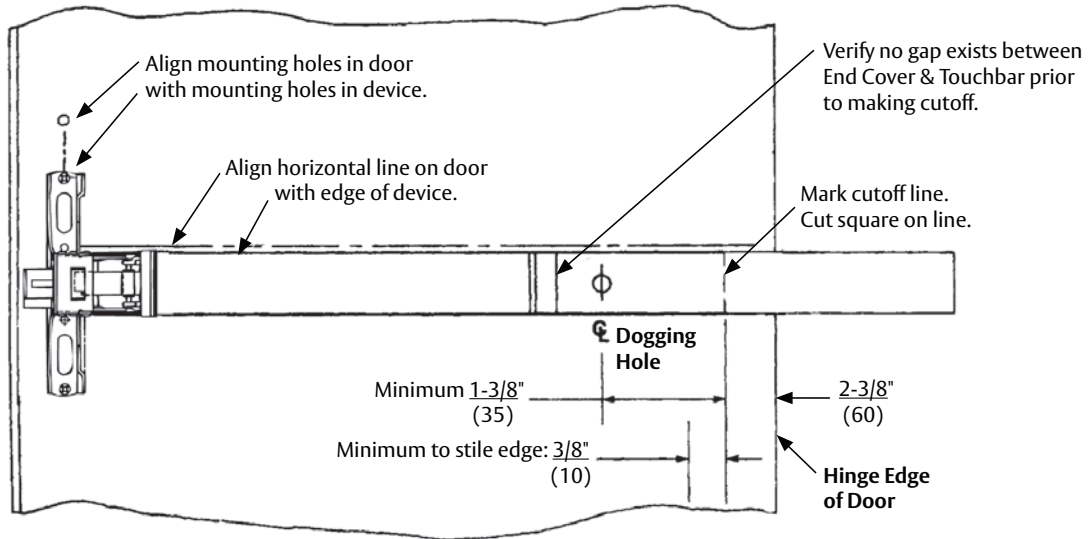
#### Installation (continued)

c

#### Size Device

Device must be field cut to size, unless standard opening and device are 36 in. (0.91 m).

LHR Door open  
90° inside face



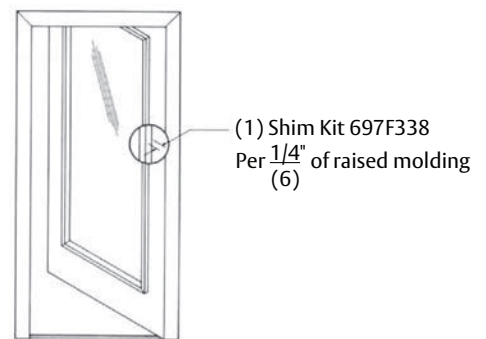
d

#### Clear Raised Door Molding

Device must seat flush on door surface, or on shims that keep it parallel to door face.

One shim Kit 697F338 required for each 1/4 in. (6 mm) of device lift needed. Longer device mounting screws needed when more than (1) shim kits are used.

See "Shim Kits Option" on page 4.



# Rim & SecureBolt® Exit Devices

## ED5200 (A) & ED5200S(A) Series



ASSA ABLOY

### Installation Instructions

4

#### Installation (continued)

e

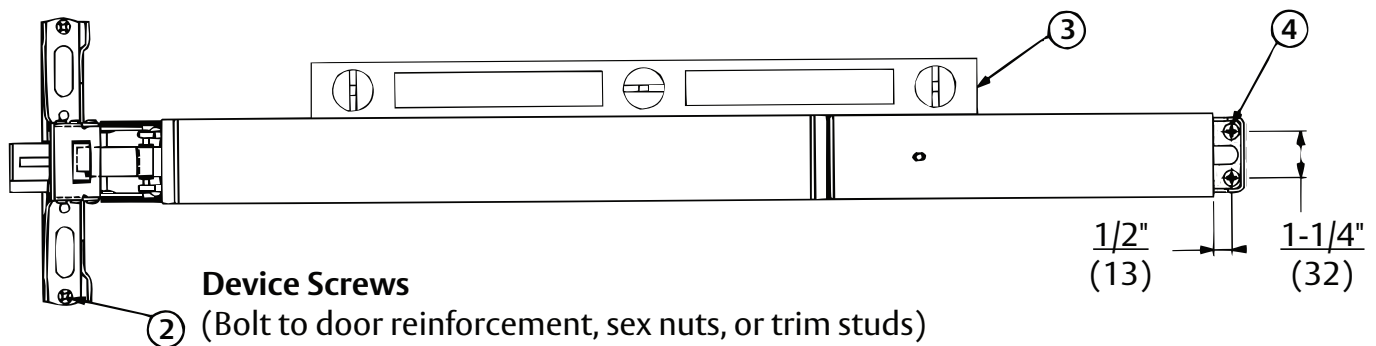
#### Install Device

1. Mount trim (follow instructions packed with trim).
2. Seat bar in place. For ED5200(A), fasten the device head using (2) 1/4-20 x 1" PPHMS or SNB. For ED5200S(A), fasten device head with (4) 1/4-20 x 1" PPHMS or SNB.
3. Set bar level. Locate end clamp holes.
4. Prepare end clamp mounting holes. Mount end clamp using (2) 1/4-20 x 1" PPHMS or SNB.
5. Check bolt retraction.
  - A. Depress touchbar (bolt must retract). Release touchbar (bolts must extend).
  - B. Actuate trim (bolts must retract). Release trim actuator (bolts must extend).
  - C. (NOT FOR FIRE DEVICES). Depress touchbar, turn dogging key clockwise (bar must remain depressed, bolts must remain retracted). Turn dogging key counterclockwise (bar and bolts must return to extended position).

#### NOTE

When resulting operation is faulty, check first for visible binding or interference. If there is no apparent reason for the fault, remove item from the door and recheck its operation before assuming that it is defective.

6. Tighten all mounting screws.





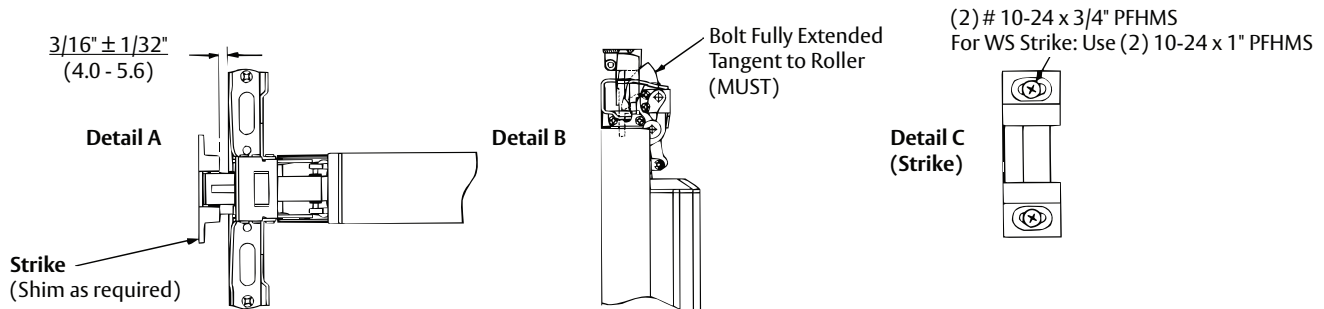
### Installation Instructions

4

### Installation (continued)

f

### Install Strike



1. Position Strike Projection (Strike + Locking Plate + Shims, if needed). See Detail A.
2. Position Strike Depth. See Detail B.
3. Fasten Strike Securely, as shown on Detail C using (2) 10-24 x 3/4" PFHMS. For WS Strike, use (2) 10-24 x 1" PFHMS.
4. Check Bolt Engagement.
  - A. Bolt should retract to clear the strike, when actuated by bar, trim, or dogging action. Bolt should consistently re-engage the strike, when actuators are released and the door shuts.
  - B. Door should remain latched and not rattle when pushed, pulled, or shaken in/out.
5. Lock strike into place. For regular and Fire application, See Detail E1. For Windstorm application See Detail E2.
  - A. Strike Application: Spot and prepare (1) hole using the strike as a template, and install strike center screw (1) 10-24 x 3/4" PFHMS.
  - B. Windstorm Strike Application: Spot and prepare (2) holes using the strike as a template, drill through the strike shims and locking plate (when required), then install (2) 10-24 x 1" PFHMS strike locking screws.
6. Install Interlock Bracket (Fire Mullion). See Detail F.
  - A. Position strike Interlock Bracket in place, as shown. Locate bracket holes.
  - B. Prepare Interlock Bracket mounting holes. Mount Interlock Bracket using (4) 10-24 x 1" PFHMS or SNB.

**Note**

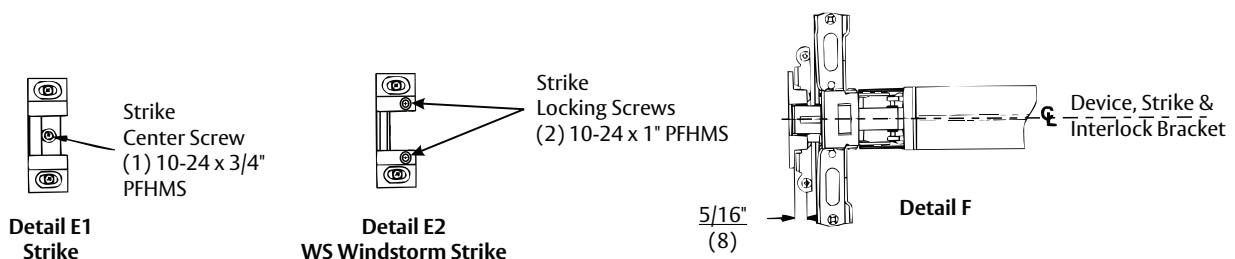
Interlock Bracket and screws supplied with Fire Mullion.

7. Install Interlock Bracket (Windstorm Device). See Detail F.

- A. Position strike Interlock Bracket in place, as shown. Locate bracket holes.
- B. Prepare Interlock Bracket mounting holes. Mount Interlock Bracket using (4) 10-24 x 1" PFHMS or SNB.

**Note**

Interlock Bracket and screws supplied with Windstorm Product supersedes interlock bracket supplied with Fire Mullion (remove and discard when applicable).

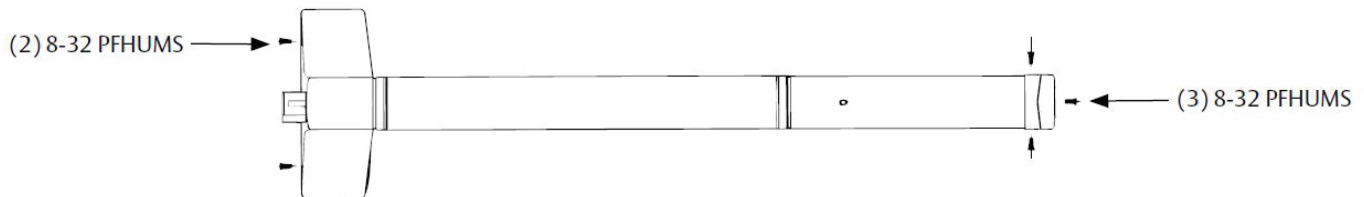


4

### Installation (continued)

g

#### Install Head Cover and End Cap



5

### Maintenance

1. Periodically remove covers and coat mechanisms with an appropriate lubricant. This is particularly required in corrosive environment for proper product function.
2. Check mounting fasteners periodically. Re-tighten if found loose. Apply screw locking compound, or change part fasteners if screws continue to back out.
3. Periodic checks and adjustments of strike are required to compensate for changes in the opening (e.g., door sagging, etc...).

# Rim & SecureBolt® Exit Devices

## ED5200 (A) & ED5200S(A) Series

### Installation Instructions

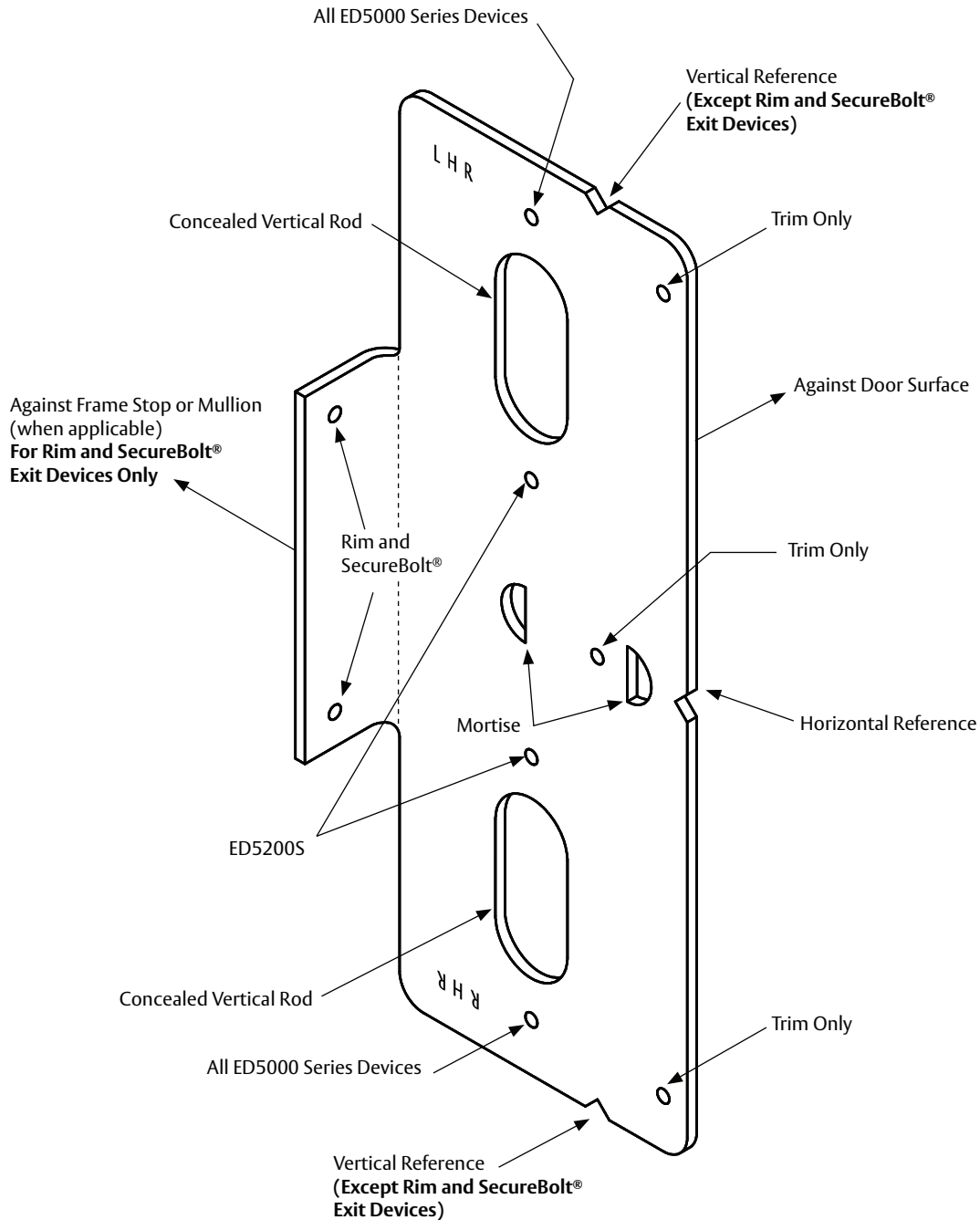


ASSA ABLOY

#### 6

#### Plastic Template Instructions

For use in conjunction with instruction sheets and door marker templates packed with exit device. Holes and slots are identified below by exit device series and trim. Prep door and frame for only those features required for the exit device being installed.



# RHR Door

Note: Do not photocopy.  
Dimensions will not be to scale.

## FLIP TO OTHER SIDE FOR LHR DOOR

Door Inside  
Face Surface  
(Device Seat)

Frame Stop or  
Mullion Face  
(Strike Seat)

HOLE	DOOR/FRAME	FASTENER	PREPARATION
A and C	Metal Reinforced	1/4-20 Machine Screw	Drill: #7 (.201" dia.) Tap: 1/4-20
	All others	1/4-20 SNB	3/8" (9.50mm) dia. thru door
B	Metal Reinforced	10-24 Machine Screw	Drill: #26 (.147" dia.) Tap: 10-24
	Solid Hardwood	#10 x 1-1/4" Wood Screw	Pilot Hole: 11/64" (4.40mm) dia.
	All others	See Note 2	As required for blind nut used.

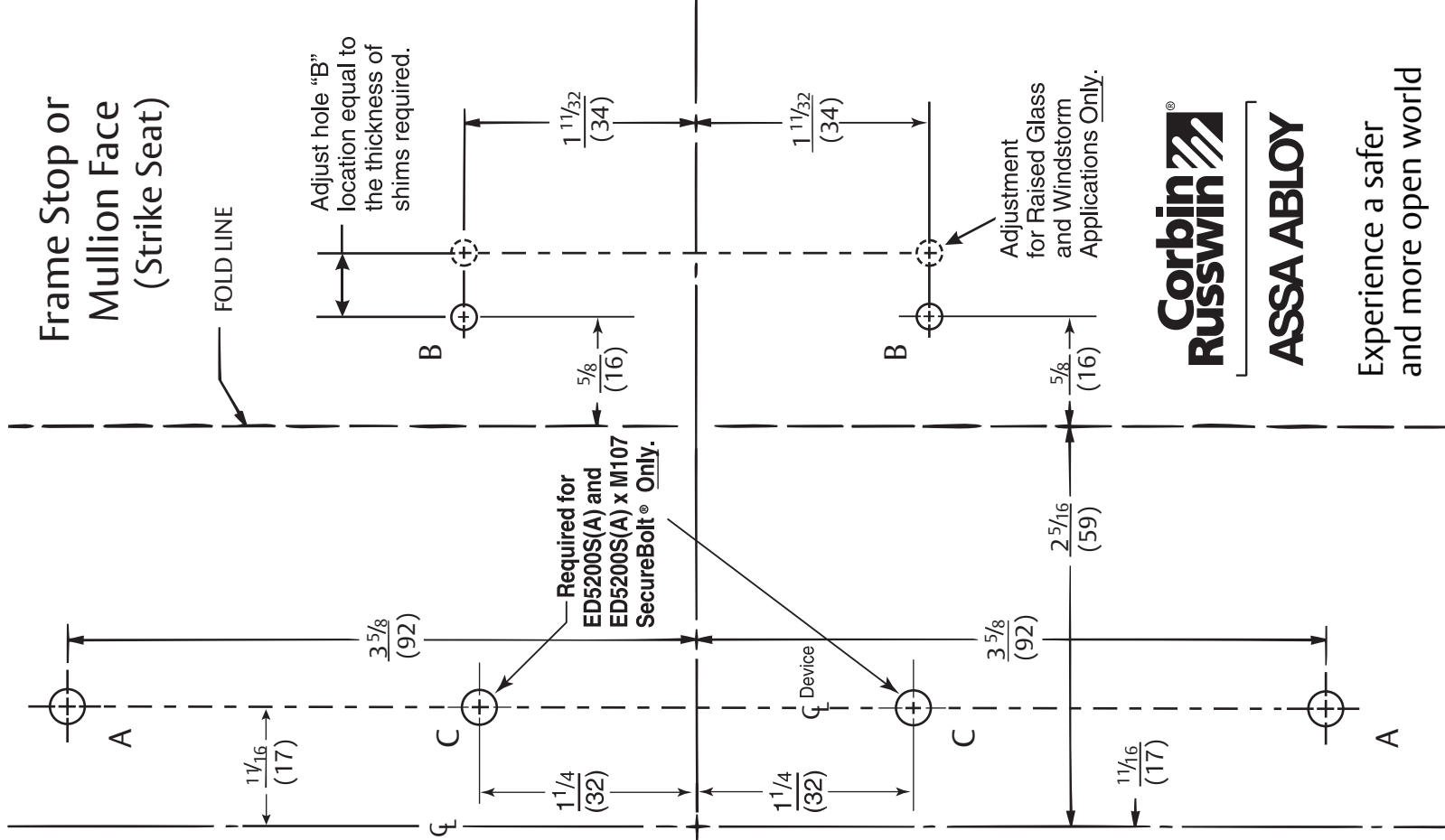
VERTICAL  
REFERENCE

### HORIZONTAL REFERENCE & DEVICE

#### Notes:

- For ED5200(A):** Use with installation instructions FM156 (latest revision).  
**For ED5200S(A):** Use with installation instructions FM532 (latest revision).  
**For ED5200S(A) x M107:** Use with installation instructions FM532 (latest revision).
- Unreinforced Frames require 10-24 blind rivet nuts (by others) be used to bolt strike. Frames are considered not reinforced when strike mounting screws cannot engage (3) full threads.
- Dimensions are given in inches (mm).
- CAUTION:** Office copiers and facsimile machines may change the size of a drawing and make the template inaccurate to use as a door marker. If this is not the original template packed with the trim, use only the dimensions written on the template to locate the holes on the door (do not use the template as a door marker).

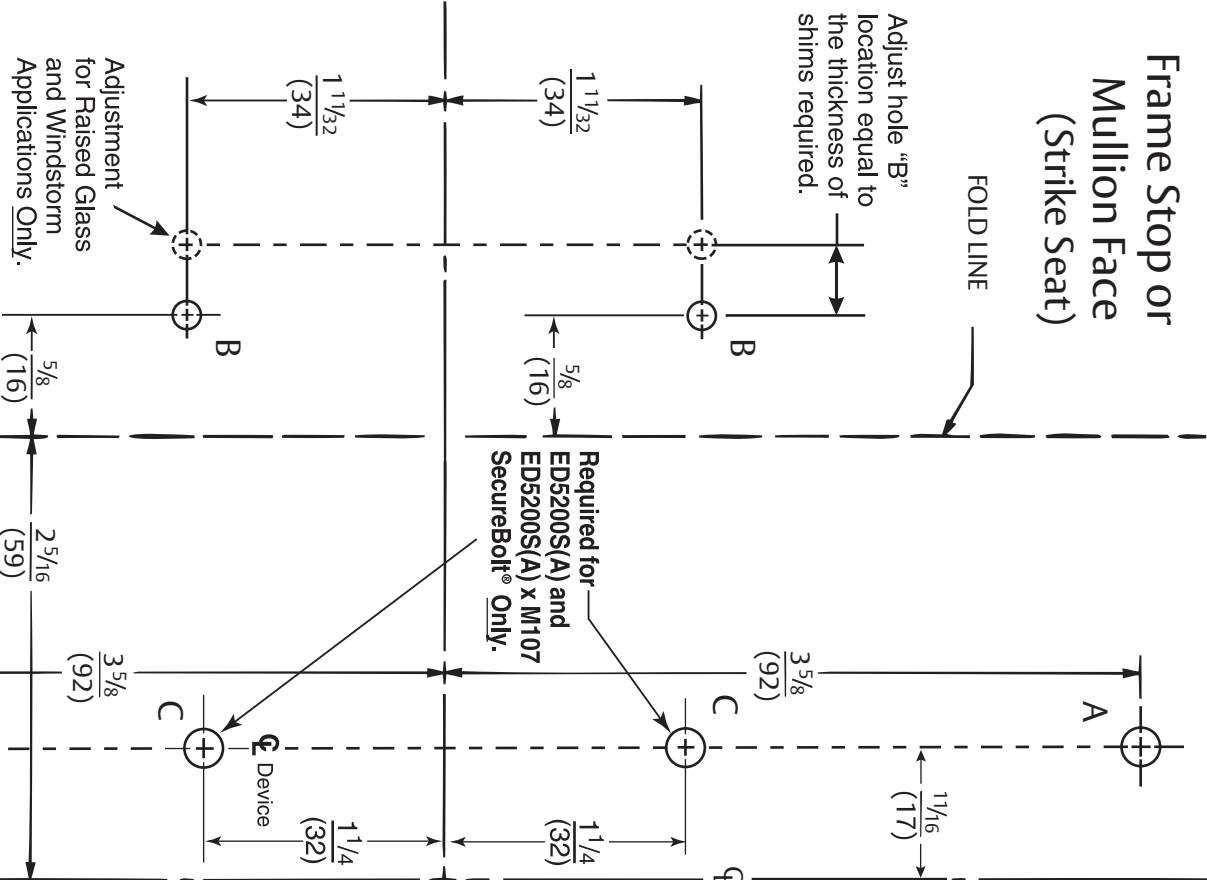
**ED5200(A) Series, ED5200S(A) Series  
and ED5200S(A) x M107 (Windstorm)  
Rim and SecureBolt® Exit Devices  
Door Marker Template**



**Corbin  
Russwin**  
**ASSA ABLOY**

Experience a safer  
and more open world

# Frame Stop or Mullion Face (Strike Seat)



# Door Inside Face Surface (Device Seat)

HOLE	DOOR/FRAME	FASTENER	PREPARATION
A and C	Metal Reinforced	1/4-20 Machine Screw	Drill: #7 (.201" dia.) Tap: 1/4-20
	All others	1/4-20 SNB	3/8" (9.50mm) dia. thru door
B	Metal Reinforced	10-24 Machine Screw	Drill: #26 (.147" dia.) Tap: 10-24
	Solid Hardwood	#10 x 1-1/4" Wood Screw	Pilot Hole: 1 1/64" (4.40mm) dia.
	All others	See Note 2	As required for blind nut used.

Note: Do not photocopy. Dimensions will not be to scale.

# LHR Door

**FLIP TO OTHER SIDE FOR RHR DOOR**

## VERTICAL REFERENCE

### HORIZONTAL REFERENCE & DEVICE

- Notes:**
- For ED5200(A):** Use with installation instructions FM156 (latest revision).  
**For ED5200S(A):** Use with installation instructions FM532 (latest revision).  
**For ED5200S(A) x M107:** Use with installation instructions FM532 (latest revision).
  - Unreinforced Frames require 10-24 blind rivet nuts (by others) be used to bolt strike. Frames are considered not reinforced when strike mounting screws cannot engage (3) full threads.
  - Dimensions are given in inches (mm).
  - CAUTION:** Office copiers and facsimile machines may change the size of a drawing and make the template inaccurate to use as a door marker. If this is not the original template packed with the trim, use only the dimensions written on the template to locate the holes on the door (do not use the template as a door marker).



**ASSA ABLOY**

Experience a safer and more open world

**ED5200(A) Series, ED5200S(A) Series and ED5200S(A) x M107 (Windstorm) Rim and SecureBolt® Exit Devices Door Marker Template**

# Rim & SecureBolt® Exit Devices

## ED5200 (A) & ED5200S(A) Series

### Installation Instructions



ASSA ABLOY

# Rim & SecureBolt® Exit Devices

**ED5200 (A) & ED5200S(A) Series**

## Installation Instructions

**Corbin  
Russwin** 

**ASSA ABLOY**

Corbin Russwin, Inc.  
225 Episcopal Road  
Berlin, CT 06037 USA  
Phone: 800-543-3558  
Fax: 800-447-6714  
[www.corbinrusswin.com](http://www.corbinrusswin.com)

ASSA ABLOY is the global  
leader in door opening solutions,  
dedicated to satisfying  
end-users needs for security, safety,  
and convenience