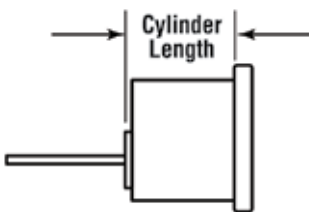
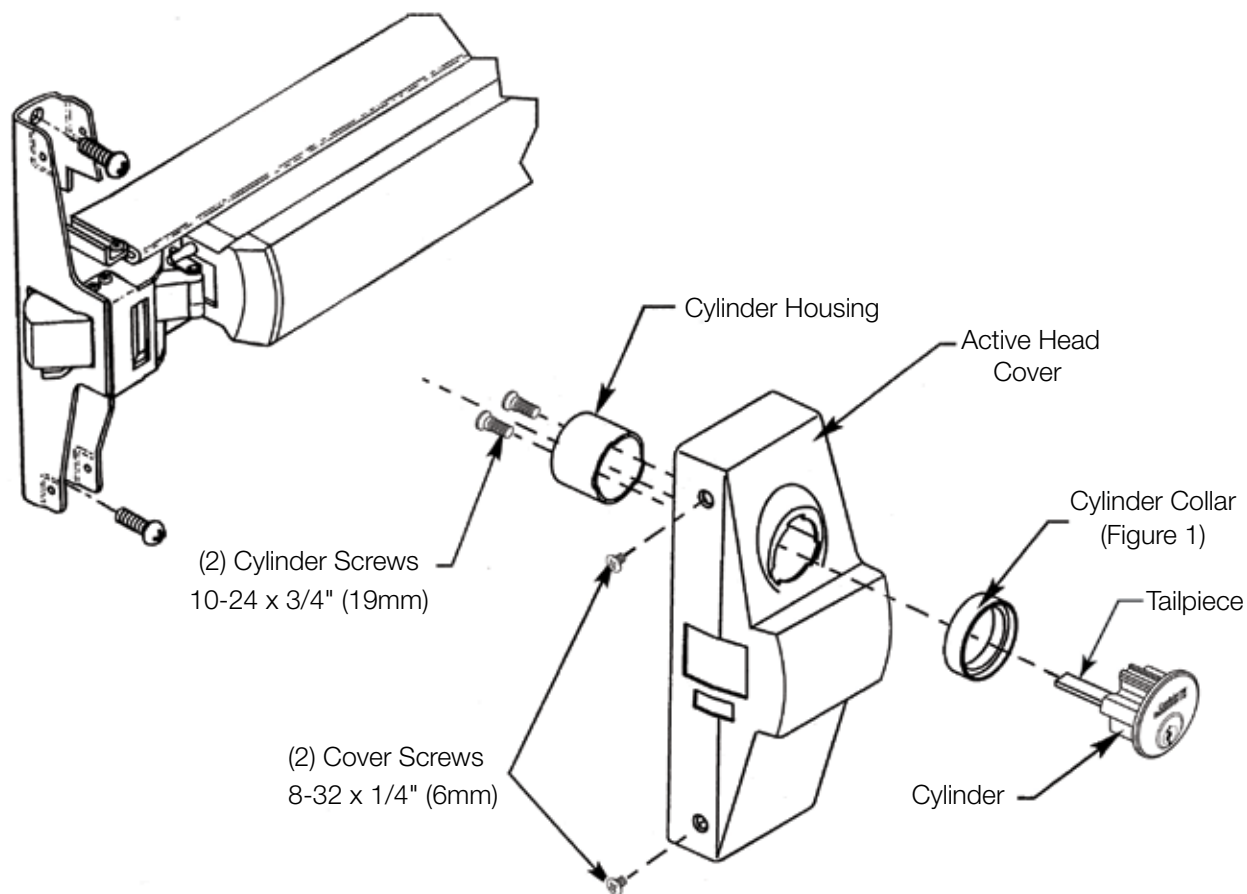


ED5202 (A) Series

Double Cylinder

Rim Exit Device



Corbin Russwin Cylinder Collar Chart	
Cylinder Length	Collar
1-1/8" (29mm)	270F15
1-1/4" (32mm)	654F07
1-1/2" (38mm)	654F08

Figure 1

Important

For use in conjunction with Corbin Russwin 955 Series trim

For installation assistance contact Corbin Russwin
1-800-543-3658 • techsupport.corbinrusswin@assaabloy.com

(617417360) FM218 05/18

Copyright © 2018 Corbin Russwin, Inc., an ASSA ABLOY Group company. All rights reserved. Reproduction in whole or in part without the express written permission of Corbin Russwin, Inc. is prohibited.

ASSA ABLOY, the global leader in door opening solutions

1. Follow 955 Series trim installation instructions. Substitute cylinder housing assembly with Double Cylinder Trim Housing Assembly supplied with device. (Figure 2) Continue with trim mounting instructions.
2. Follow ED5200 (A) mounting instructions supplied with device. Once complete, continue with Double Cylinder instructions below.
3. Pre-assemble cylinder through cylinder collar, active head cover, and cylinder housing as shown on cover page. Secure cylinder housing to cylinder with two (2) 10-24 x 3/4" cylinder screws. Keyway position should be vertical with plug in lower side of cylinder. (Figure 3)
4. Assemble active head cover to device by inserting cylinder tailpiece into lazy cam slot of Double Cylinder Trim Housing Assembly (Figure 2) (tailpiece length to be adjusted as needed for non-interference with opposing trim cylinder). Install and tighten two (2) 8-32 x 1/4" cover screws to active head cover.
5. Check for proper functional operation of trim and exit device.

**Double Cylinder Trim
Housing Assembly
(supplied with device)**

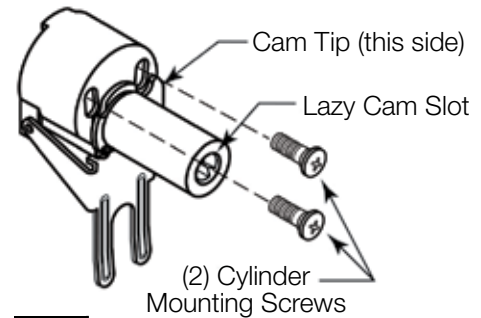


Figure 2

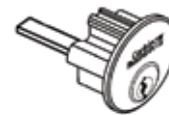


Figure 3

Corbin Russwin
225 Episcopal Road
Berlin, CT 06037
Phone: 800-543-3658
Fax: 800-447-6714
corbinrusswin.com

ASSA ABLOY is the global
leader in door opening solutions,
dedicated to satisfying
end-user needs for security,
safety and convenience