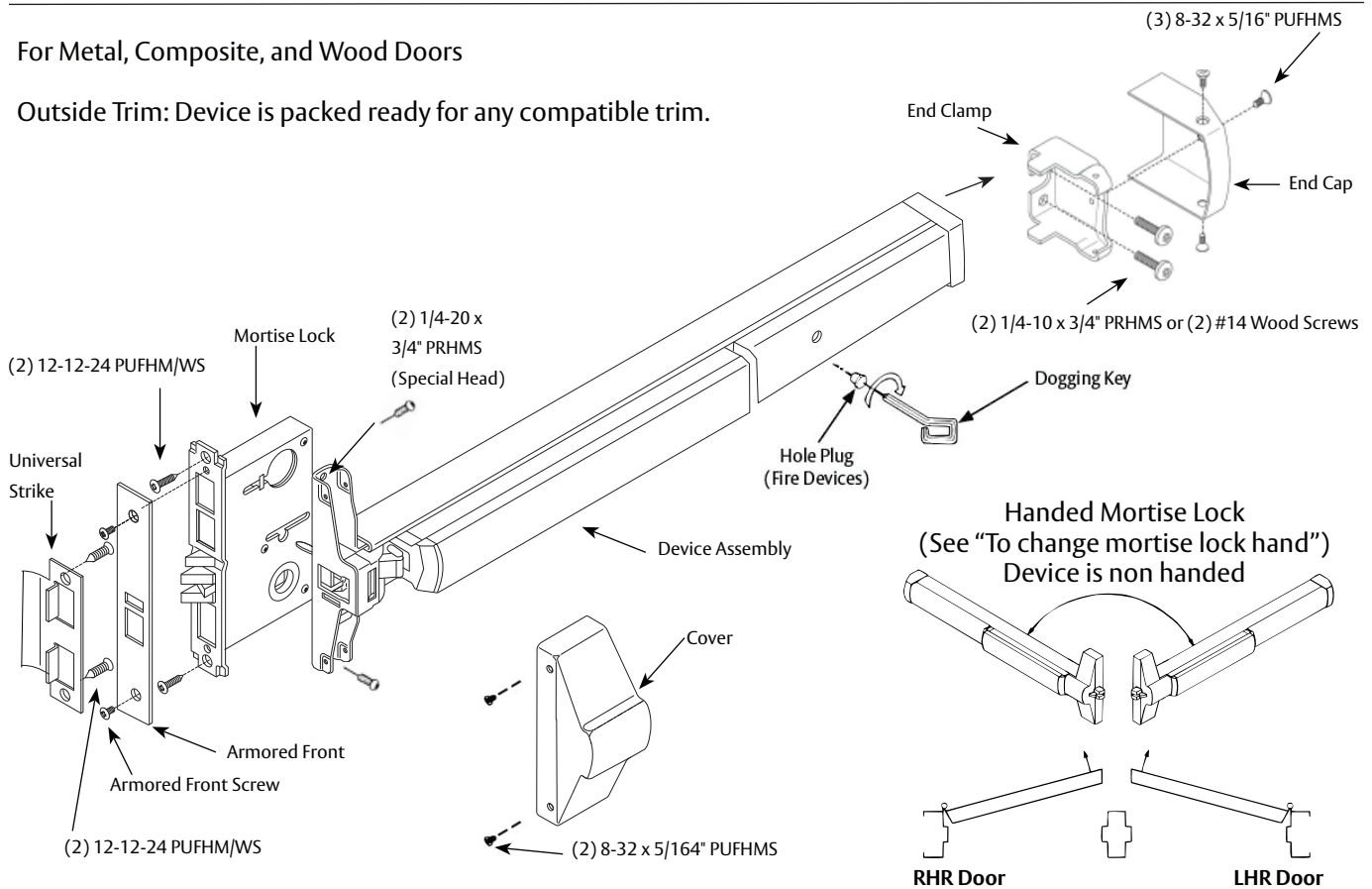


# ED5600(A) Series

## Mortise Exit Devices

For Metal, Composite, and Wood Doors

Outside Trim: Device is packed ready for any compatible trim.



### Dogging

Feature to hold bolts retracted and touchpad depressed, for push-pull door operation.

#### To Dog Device:

1. Insert dogging key.
  2. Hold touchbar depressed.
  3. Turn key 1/4 turn clockwise.
- (Not a feature of fire labeled devices.)

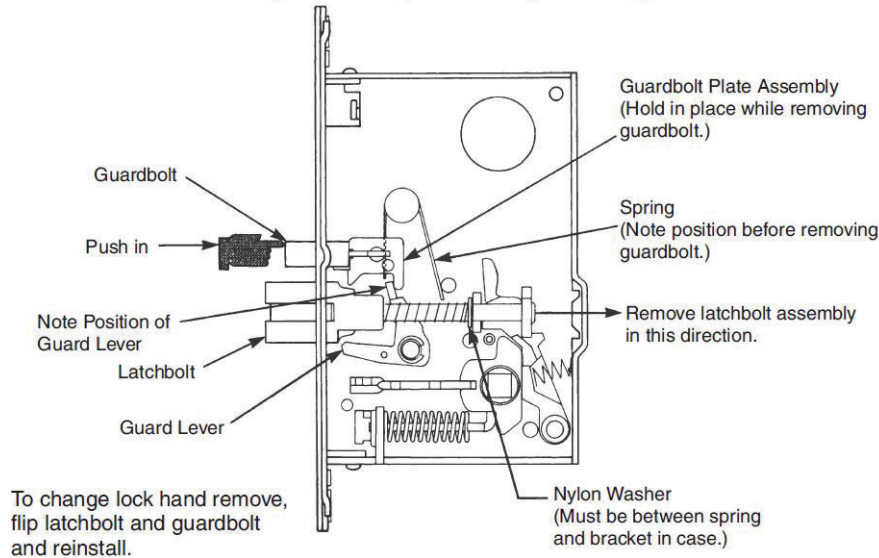
### ⚠ WARNING

This product can expose you to lead which is known to the state of California to cause cancer and birth defects or other reproductive harm. For more information go to [www.P65warnings.ca.gov](http://www.P65warnings.ca.gov).

# 1

## To Change Mortise Lock Hand

Typical Lock Body with Cover removed and showing only components relevant to lock handing. Other components vary according to function.



### Shim Kit Option

650F951 Black Finish

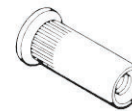
Kit consists of Latch Head Shims (Device Cover seats on shim) and End Clamp Shims (End Cap seats on shim).

Each shim is 1/8" (3.2mm) thick more than two shim thicknesses 1/4" (6.4mm), require longer device mounting screws (not included).

### Maintenance

1. Periodically remove covers and coat mechanisms with a silicone base lubricant. This is particularly required in corrosive environments for proper product function.
2. Check mounting fasteners periodically. Retighten if found loose. Apply screw locking compound (available at automotive part stores) or change part fasteners if screws continue to back out.

### 1/4-20 Sex Nut Option



Recommended for wood composite or unreinforced metal doors.

Device	Quantity	Size
No Trim	4	1/4-20
With Trim	2	

## 2

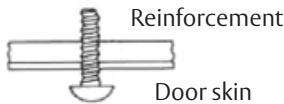
## Pre-Installation

### Unreinforced Door or Frames

Doors and Frames with walls having a structural thickness (metal skin plus reinforcement, or solid hardwood) to engage less than (3) full screw threads, are considered unreinforced for hardware.

**Unreinforced Doors:** Use SNB (sex nuts and bolts).

Reinforced Door or Frame engages at least (3) screw threads.

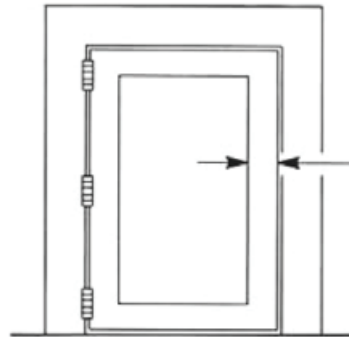


**Unreinforced Frames:** Use Blind Rivet Nuts.

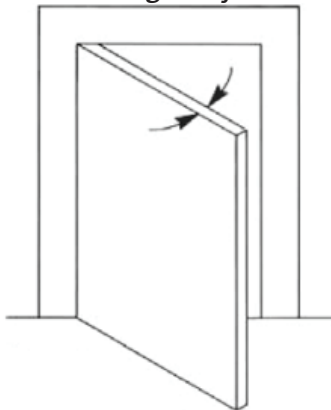


#### Note

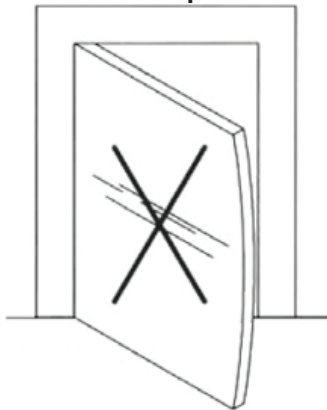
Recommended fasteners for unreinforced openings are not necessarily supplied by Corbin Russwin, Inc.



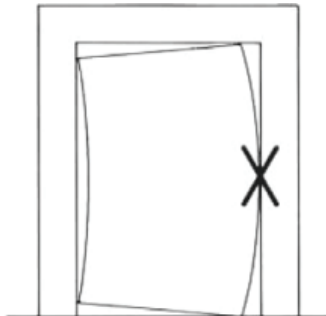
Door must swing freely



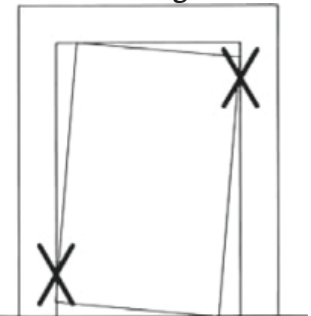
Door must not be warped



Door must not bind



Door must not sag



### 3

## Installation

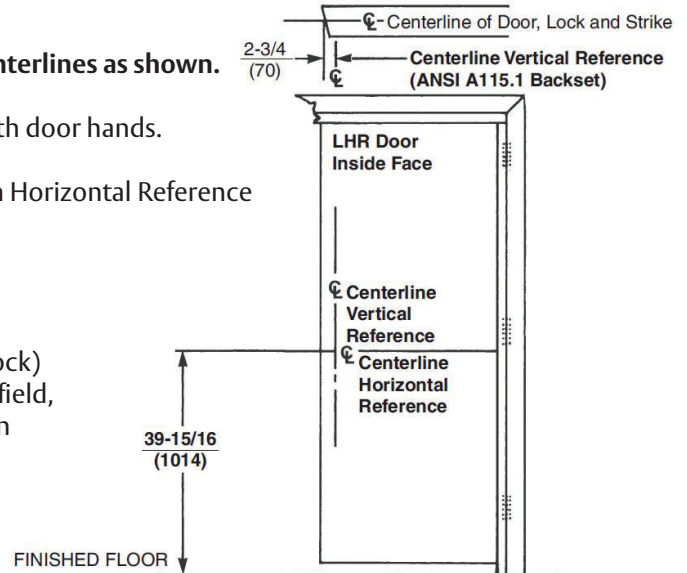
### a

### Mark Door

Locate and Mark Horizontal and Vertical Centerlines as shown.

LHR door shown. Preparation is typical for both door hands.

**Note:** Centerline of Lock (cutout) must match Horizontal Reference centerline.

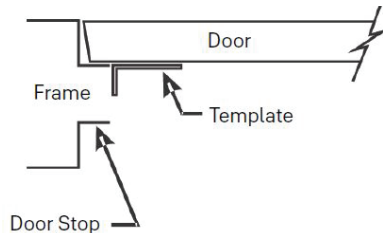


### b

### Prepare Door and Frame

Factory prepared cutouts with field drilled mounting holes are recommended. If door (lock) and frame (strike) have to be mortised in the field, do it before continuing (follow instructions on installation template).

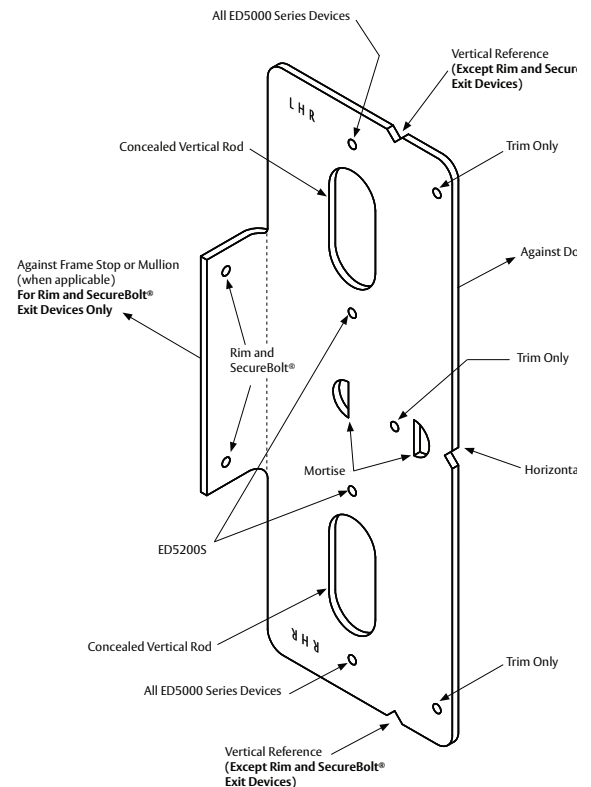
1. Locate and tape Trim Template to door. (See instructions packed with Trim.)
2. Seat plastic template on door and stop faces.
3. Locate plastic template, aligning VERTICAL REFERENCE and HORIZONTAL REFERENCE lines on door and template. Tape template to door face.
  - (a) Slot 1/2" (12.7) diameter x 1" (25.4) on centers thru inside door face, using the two half circles on the plastic template for start and end of slot.
  - (b) Device holes for 1/4-20 machine screws (metal reinforced doors only) or for 3/8" (9.5) diameter sex nuts and bolts. Metal reinforced doors only.



4. Insert lock into mortise, adjust front for door edge (beveled or flat).
  - (2) Lock holes for 12-24 machine screws or for #12 wood screws.

**NOTE:** Lock base front has to be field tight-ened in place using two screws, each on lock case top and bottom.

5. Seat strike in frame cutout.
  - (2) Strike holes for 12-24 machine screws or for #12 wood screws.



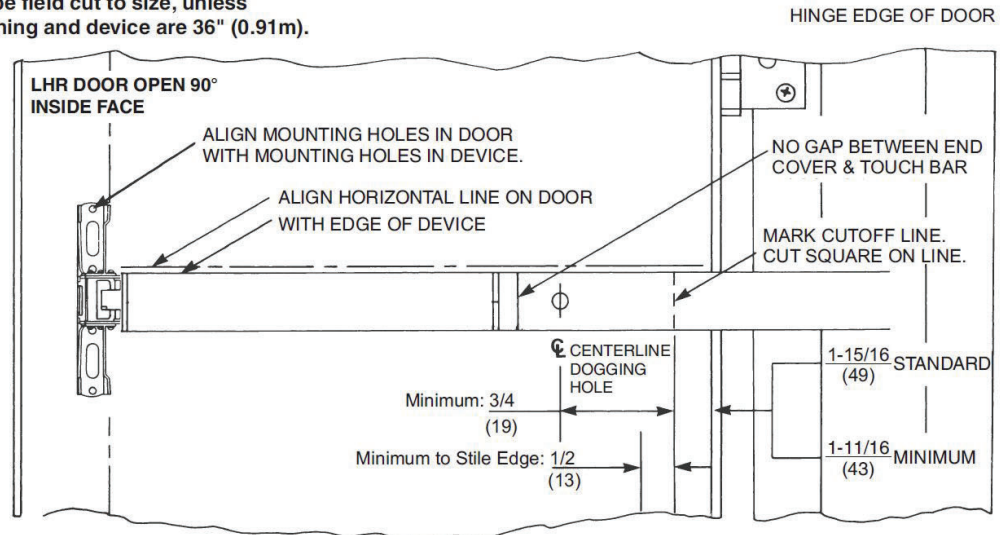
### 3

## Installation (continued)

### c

### Size Device

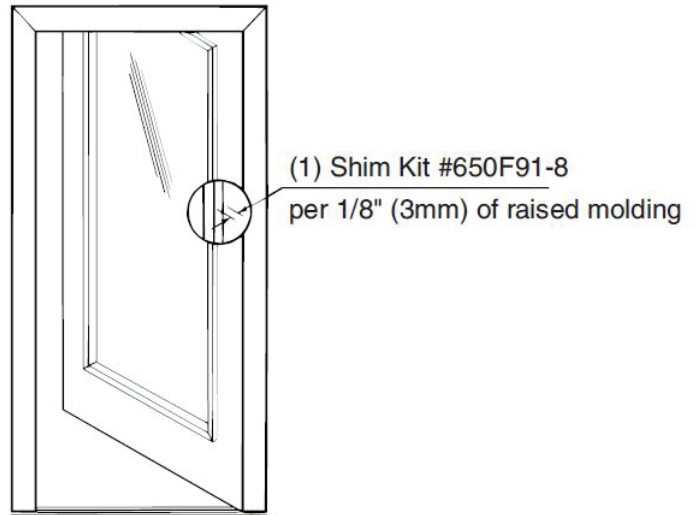
Device must be field cut to size, unless standard opening and device are 36" (0.91m).



### d

### Clear Raised Door Molding

Device must seat flush on door surface or on shims that keep it parallel to the door face. Two shim kits maximum for standard device in 1-3/4" (44) door. For thicker doors, consult the factory.



3

## Installation (continued)

e

## Install Components

## A. Install Lock

Lock in hand, depress guardbolt.  
Check that latchbolt is deadlocked.  
Check that latchbolt lever (and cylinder lever, hubs, and thumbpiece lever, if relevant) operate the lock freely.  
Insert Lock Body into door cavity.  
Fasten to door edge (2 PUFHM/WS)

**Note:** Make sure that door reinforcing clips or doorwalls support lock immovable (restricting rocking motion).

## B. Install Armor Front

Fit over bolts and fasten to lock base front (2 PUFHMS). Check that bolts retract and extend freely.

## C. Install Strike - Seat in place (lip bend away from opening) Fasten to frame (2 PUFHM/WS).

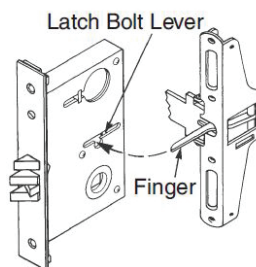
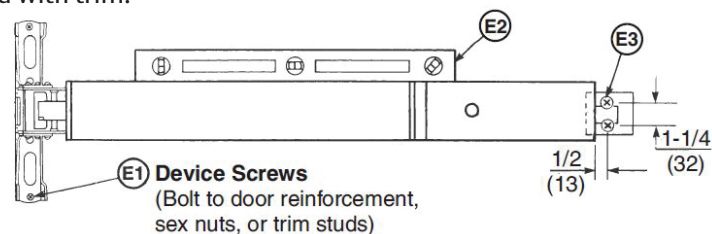
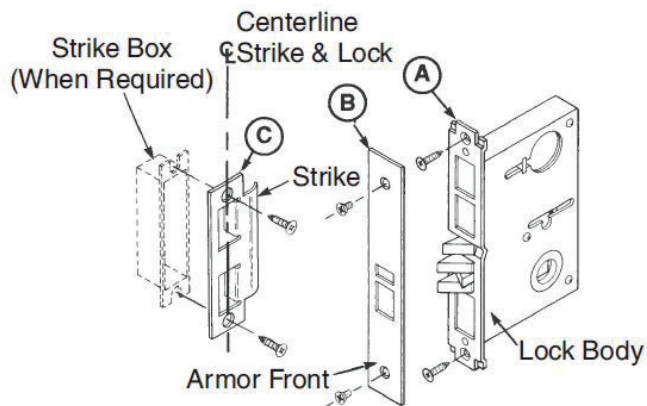
## D. Install Trim - Follow instructions packed with trim.

## E. Install Device

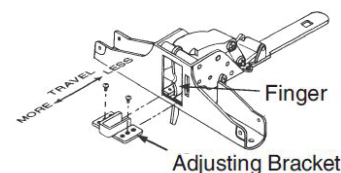
Seat Bar in place (Device finger must engage latchbolt lever, thru slot in lock case/cover, as shown in Detail 1).  
Fasten Device Head (2 PRHMS or SNB). Set Bar level. Locate End Clamp holes. Prepare End Clamp mounting holes. Fasten End Clamp in place.  
(2 #1/4-20 PRHMS or 3/8" (9.5) Dia. SNB).

## F. Check Operation

1. Depress touchbar (bolt must retract). Release touchbar (bolt must extend).
2. Actuate trim (bolt must retract). Release trim actuator (bolt must extend).
3. (NOT FOR FIRE DEVICES) Depress touchbar, turn dogging key clock wise (bar must remain depressed, bolt must remain retracted). Turn dogging key counter clockwise (bar and bolt must return to extended position).
4. Close door. Latchbolt should fully engage into strike cavity, guardbolt should retract over strike ramp. Door should not rattle.



Detail 1



Detail 2

**NOTE:** When resulting operation is faulty, check first for visible binding or interference. If there is no apparent reason for the fault, remove item from the door and recheck its operation before assuming that it is defective. If latchbolt travel is not adequate, adjust device finger as shown on Detail 2.

## G. Tighten all Mounting Screws.

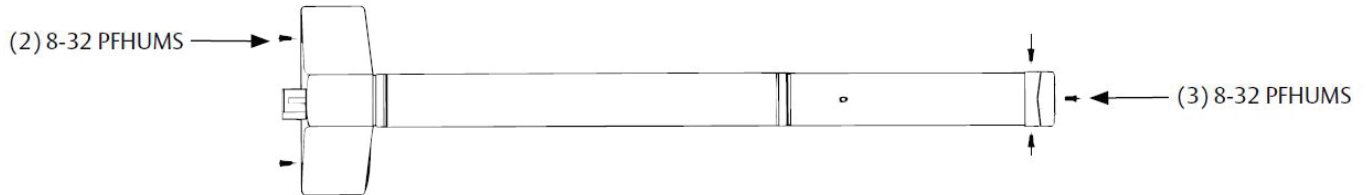
3

### Installation (continued)

f

#### Install Head Cover and End Cap

Use (2) 8-32 PFHMS for Cover and (3) 8-32 PFHMS for End Cap.



The ASSA ABLOY Group is the global leader in access solutions. Every day, we help billions of people experience a more open world.

ASSA ABLOY Opening Solutions leads the development within door openings and products for access solutions in homes, businesses and institutions. Our offering includes doors, frames, door and window hardware, locks, perimeter fencing, access control and service.



Corbin Russwin, Inc.  
225 Episcopal Road  
Berlin, CT 06037 USA  
Phone: 800-543-3658  
Fax: 800-447-6714  
[www.corbinrusswin.com](http://www.corbinrusswin.com)

Corbin Russwin is a brand associated with ASSA ABLOY Access and Egress Hardware Group, Inc., an ASSA ABLOY Group company. Copyright © 2012, 2020 ASSA ABLOY Access and Egress Hardware Group, Inc. All rights reserved. Reproduction in whole or in part without the express written permission of ASSA ABLOY Access and Egress Hardware Group, Inc. is prohibited.

For installation assistance contact Corbin Russwin  
1-800-543-3658 • [techsupport.corbinrusswin@assaabloy.com](mailto:techsupport.corbinrusswin@assaabloy.com)

FM168 12/20