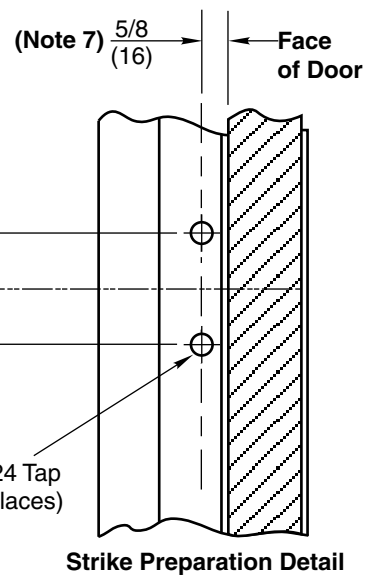
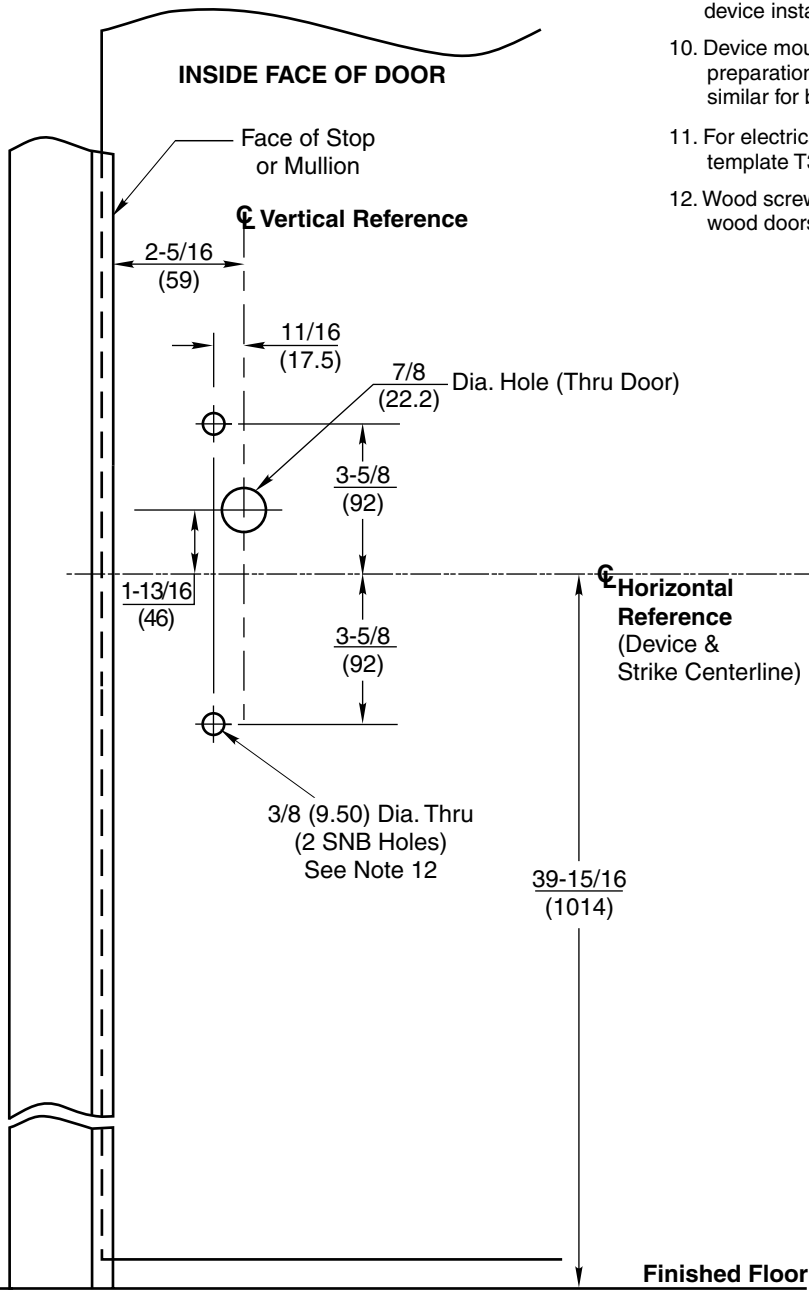


Strike Reinforcement
(See Note 6)

Notes:

1. Do not scale drawing.
2. Dimensions are in inches (mm).
3. LHR door shown. Preparation is typical for both door hands.
4. Minimum door stile width: 4-1/2(114).
5. Prepare mounting holes when installing the device.
6. Unreinforced frames require blind rivet nuts (by others) to mount the strike.
7. Dimension from door face.
8. For outside trim preparation see appropriate trim template.
9. Provide adequate structural support to maintain door integrity after device installation with power tools, door use, or abuse.
10. Device mount to hinge stile (not shown) requires hole location and preparation during device installation. Door structural requirements are similar for both door stiles.
11. For electrical devices (suffixes M91, M92, M93, M94, M97) also see template T30890.
12. Wood screws (#14x1-1/4"RHWS, by others) permitted for solid core wood doors if pilot holes are used for installation.



Strike Preparation Detail

FRAME TEMPLATE	MULLION		
	SERIES	SIZE	ILLUSTRATION
T30882	700 Series	1-1/2" x 3" (38 x 76)	Doors 1-1/2" Mullion Width
T31074	900 Series	2" x 3" (51 x 76)	Doors
T31075	FE700 Series WS700 Series		2" Mullion Width
CAUTION: Width of mullion used with exit device will affect device backset. Determine Mullion Series and Width before prepping doors for exit devices.			

ED5202 Series Double Cylinder Rim Panic Devices with 650F30 Strike
Application for Wood or Composite Door and H.M. Frame or Mullion (Not for Fire Labeled Devices)

②



SUPERSEDES	T30980-1	DO NOT SCALE DRAWING
TEMPLATE NUMBER	T30980-2	DATE 12-18