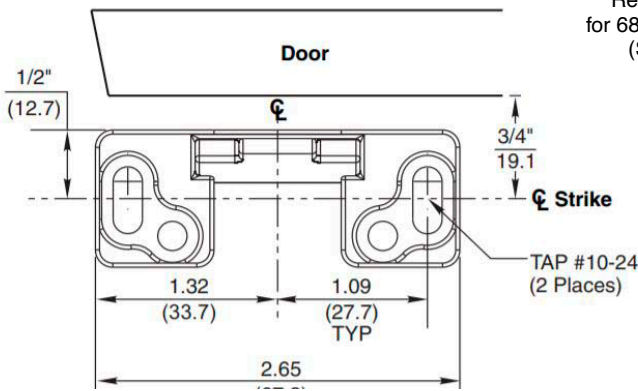


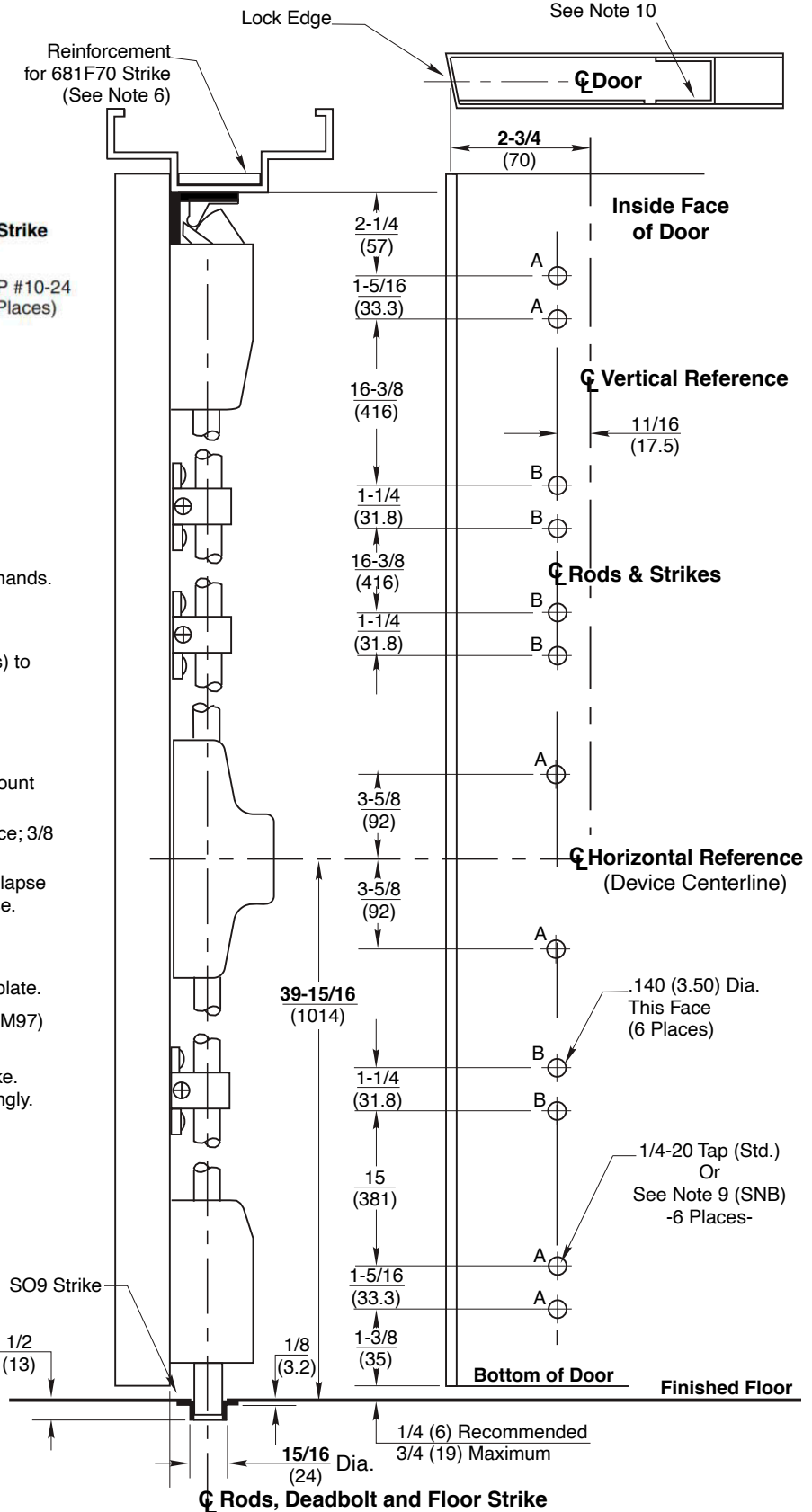
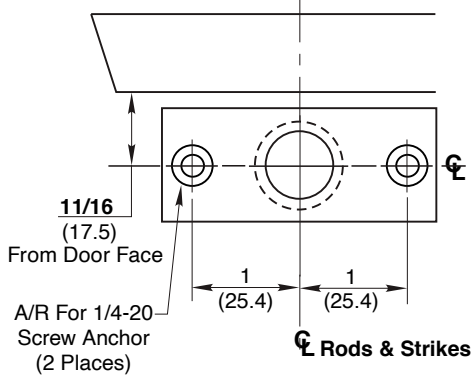
681F70 TOP STRIKE DETAIL
(See Note 7)



Notes:

1. Do not scale drawing.
2. Dimensions are in inches (mm).
3. LHR door shown. Preparation is typical for both door hands.
4. Minimum door stile width 4-1/2(114).
5. Prepare mounting holes when installing the device.
6. Unreinforced frames require blind rivet nuts (by others) to mount the strike.
7. Door in frame with door silencers. Compensate strike distances for other conditions.
8. For recommended door reinforcements see template T30800. Unreinforced doors require SNB option to mount the device components.
9. Holes for optional SNB: 9/32 (7.00) dia. inside door face; 3/8 (9.50) dia. outside door face.
10. Provide door stiffeners, as needed to prevent door collapse due to installation with power tools, door use, or abuse.
11. Device mount to hinge stile (not shown) requires hole location and preparation during device installation.
12. For outside trim preparation see appropriate trim template.
13. For electrical devices (suffixes M91, M92, M93, M94, M97) also see template T30890.
14. Bottom bolt should retract to 1/8 (3.2) above floor strike. Floor coverings in the door path must be laid accordingly.

SO9 STRIKE DETAIL
(650F88)



ED5470 H1000 & ED5470B H1000 Series
Surface Vertical Rod Exit Devices
with Optional SO9 Floor Strike
 Application for Metal Door and Frame without Threshold

Corbin
Ruswin

ASSA ABLOY

www.corbinruswin.com

SUPERSEDES	T30896-1	DO NOT SCALE DRAWING
TEMPLATE NUMBER	T30896-2	DATE 02-21

Experience a safer
and more open world

Copyright © 2008, 2021, ASSA ABLOY Access and Egress Hardware Group, Inc.
 All rights reserved. Reproduction in whole or in part without the express written permission of ASSA ABLOY Access and Egress Hardware Group, Inc. is prohibited.