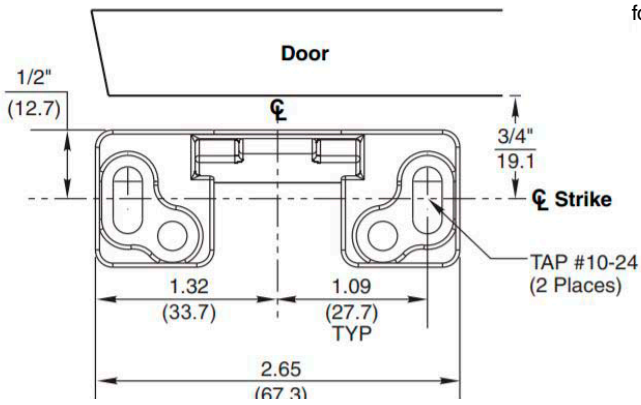
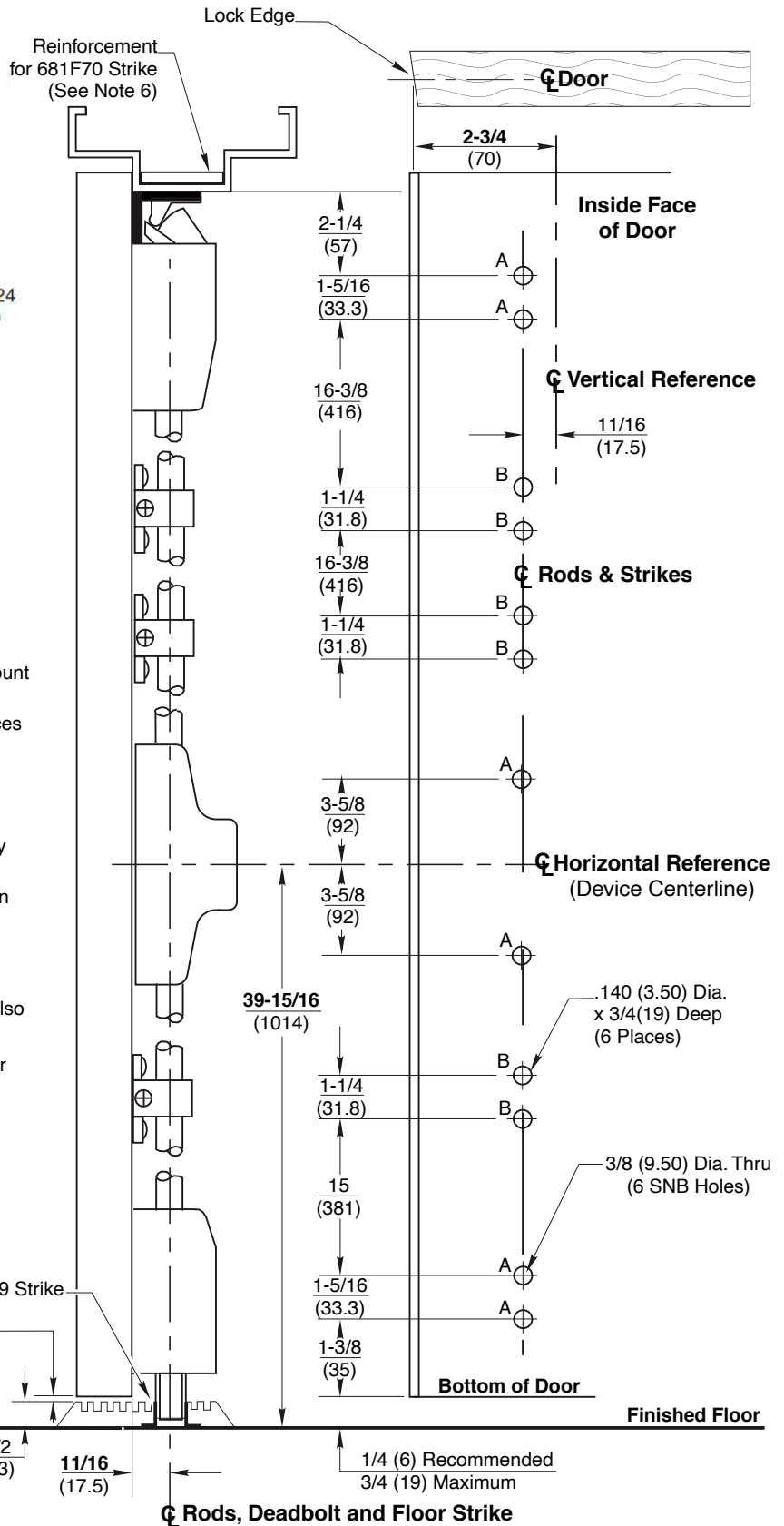
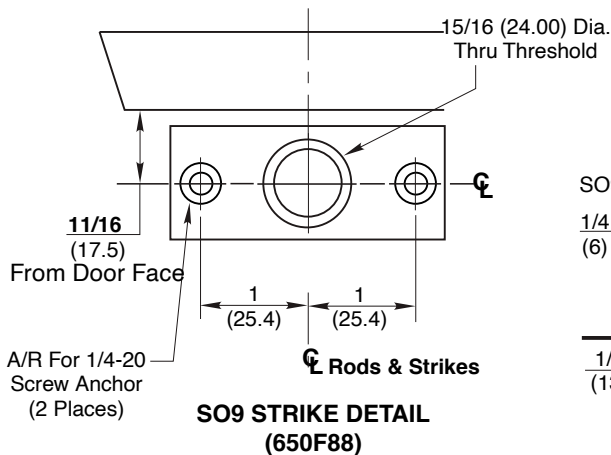


681F70 TOP STRIKE DETAIL
(See Note 7)



1. Do not scale drawing.
2. Dimensions are in inches (mm).
3. LHR door shown. Preparation is typical for both door hands.
4. Minimum door stile width 4-1/2(114).
5. Prepare mounting holes when installing the device.
6. Unreinforced frames require blind rivet nuts (by others) to mount the strike.
7. Door in frame with door silencers. Compensate strike distances for other conditions.
8. Wood screws #14x1-1/4" (by others) permitted in solid core wood doors if pilot holes are used for installation, when door label allows its use.
9. Provide adequate structural support to maintain door integrity after device installation with power tools, door use, or abuse.
10. Device mount to hinge stile (not shown) requires hole location and preparation during device installation. Door structural requirements are similar for both door stiles.
11. For outside trim preparation see appropriate trim template.
12. For electrical devices (suffixes M91, M92, M93, M94, M97) also see template T30890.
13. Bottom bolt should retract to 1/8 (3.2) above floor strike. Floor coverings in the door path must be laid accordingly.



ED5470 H1000 & ED5470B H1000 Series
Surface Vertical Rod Exit Devices
 Application for Wood or Composite Door and
 HM Frame with 1/2" Threshold and Optional SO9 Floor Strike

**Corbin
Russwin**

ASSA ABLOY

www.corbinrusswin.com

SUPERSEDES	T30899-2	DO NOT SCALE DRAWING
TEMPLATE NUMBER	T30899-3	DATE 02-21

Experience a safer
and more open world

Copyright © 2008, 2021, ASSA ABLOY Access and Egress Hardware Group, Inc.
 All rights reserved. Reproduction in whole or in part without the express written permission of
 ASSA ABLOY Access and Egress Hardware Group, Inc. is prohibited.