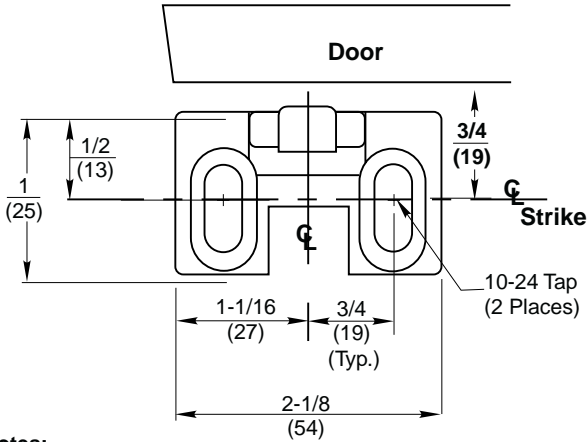


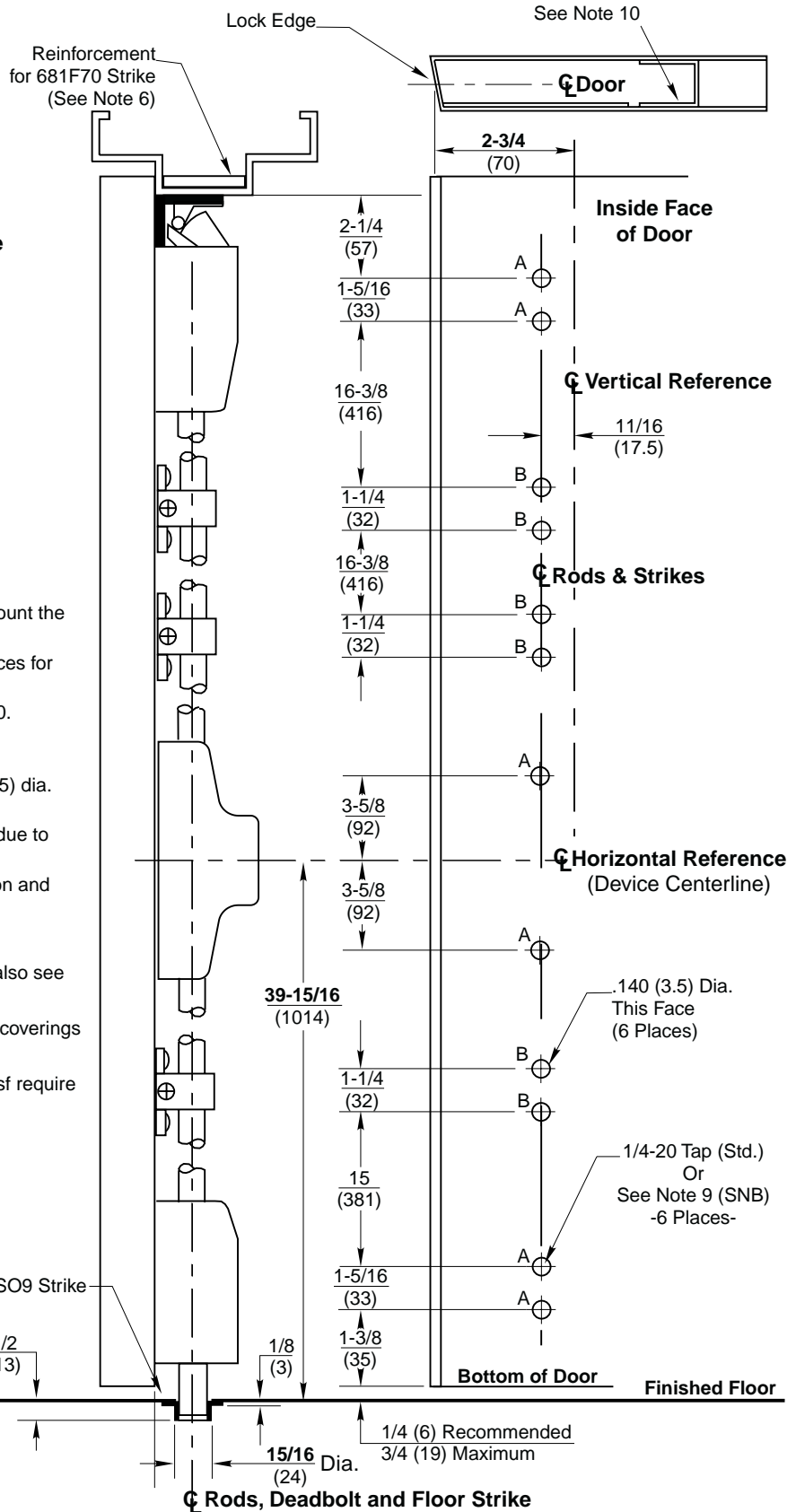
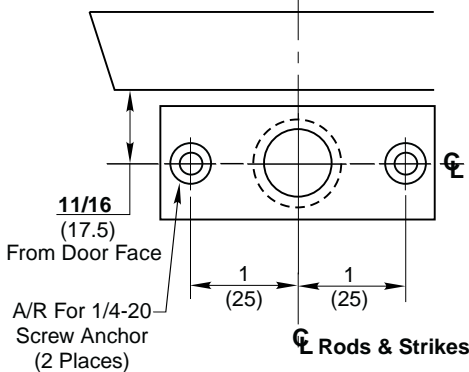
681F70 TOP STRIKE DETAIL
(See Note 7)



Notes:

1. Do not scale drawing.
2. Dimensions are in inches (mm).
3. LHR door shown. Preparation is typical for both door hands.
4. Minimum door stile width 4-1/2(114).
5. Prepare mounting holes when installing the device.
6. Unreinforced frames require blind rivet nuts (by others) to mount the strike.
7. Door in frame with door silencers. Compensate strike distances for other conditions.
8. For recommended door reinforcements see template T30800. Unreinforced doors require SNB option to mount the device components.
9. Holes for optional SNB: 9/32 (7) dia. inside door face; 3/8 (9.5) dia. outside door face.
10. Provide door stiffeners, as needed to prevent door collapse due to installation with power tools, door use, or abuse.
11. Device mount to hinge stile (not shown) requires hole location and preparation during device installation.
12. For outside trim preparation see appropriate trim template.
13. For electrical devices (suffixes M91, M92, M93, M94, M97) also see template T30890.
14. Bottom bolt should retract to 1/8 (3) above floor strike. Floor coverings in the door path must be laid accordingly.
15. Doors greater than 3'0" (914) in width and greater than 60 psf require 14 gauge horizontal stiffener.

SO9 FLOOR STRIKE DETAIL
(650F88)



WINDSTORM CERTIFIED
ED5470 x M107 Series & ED5470B x M107 Series
Surface Vertical Rod Exit Device with SO9 Floor Strike
Application for Metal Door and Frame without Threshold



SUPERSEDES	DO NOT SCALE DRAWING
TEMPLATE NUMBER	DATE
T31000	8-05