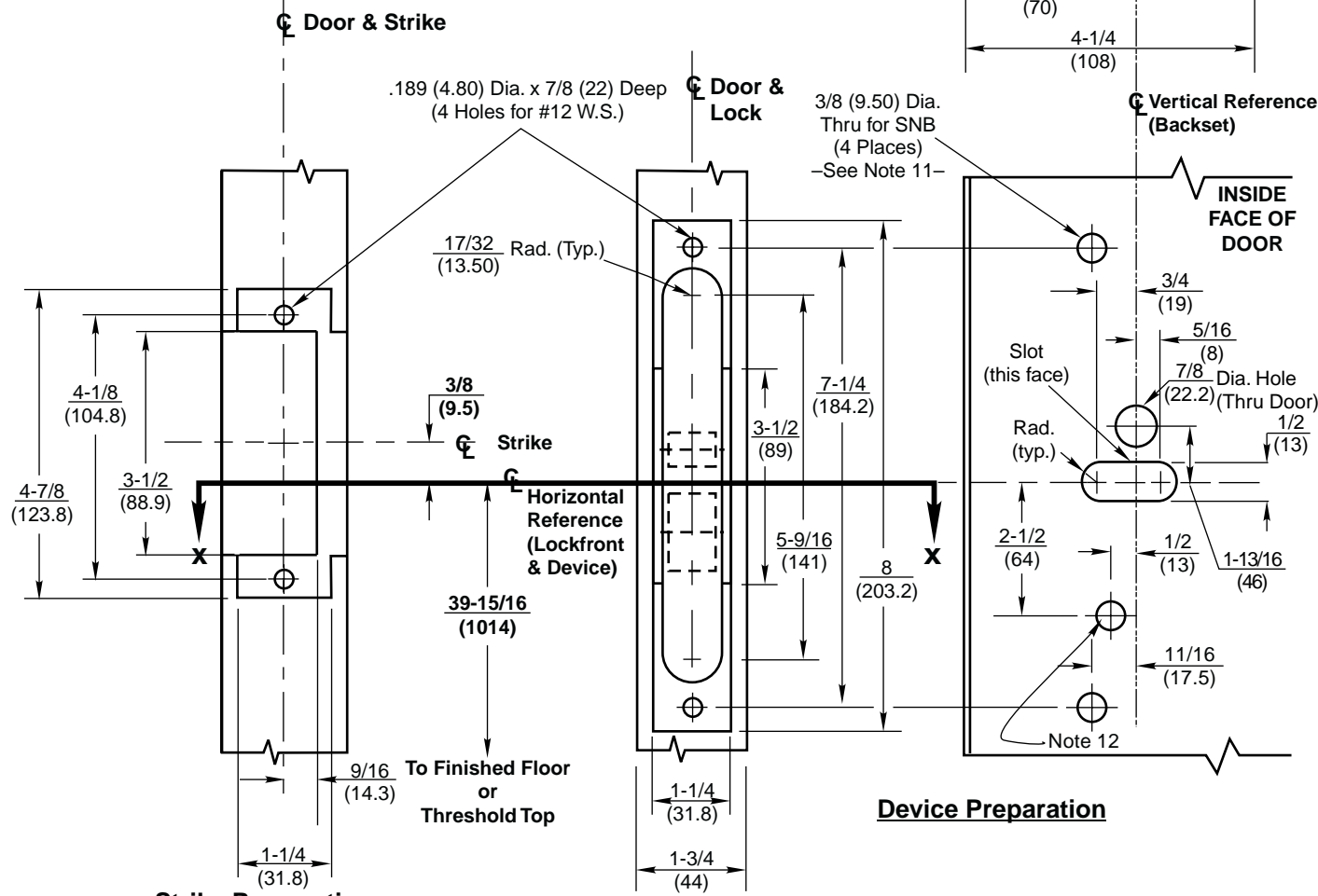
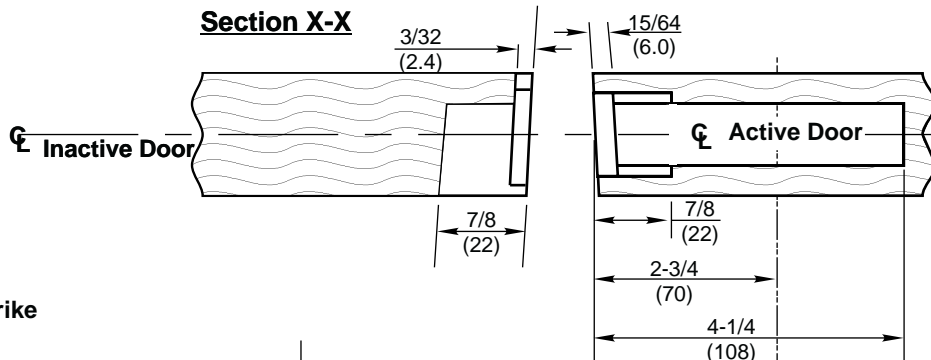


Section X-X



Strike Preparation

Device Preparation

Notes:

1. Do not scale drawing.
2. Dimensions are in inches (mm).
3. LHR active pair shown. Preparation is typical for both hands.
4. Minimum door stile width 4-1/2(114).
5. Prepare mounting holes when installing device.
6. Provide adequate structural support to maintain door integrity after device installation with power tools, door use, or abuse.
7. Device mount to hinge stile (not shown) requires hole(s) location and preparation during device installation.
8. For outside trim preparation see appropriate trim template.
9. Unless otherwise specified, door preparation and dimensional tolerances must conform to ANSI A115.1 (lock) and A115.14 (strike).
10. Dimensions given about a centerline are symmetrical.
11. Wood screws (#14x1-1/4", by others) permitted in solid core wood doors if pilot holes are used for installation, when door label allows its use.
12. For electrical device suffixes "-Safe", "-Secure", M91, or M93: 1/2 (12.70) diameter thru this face, plus prep shown on template T30890.
13. For electrical device suffixes M92, M94, or M97 also see template T30890.
14. Latchbolt centerline is 23/32 (18.2) below & Auxbolt centerline is 3/16 (4.8) above the centerline of lockfront.

ED5602 & ED5602A Series Double Cylinder Mortise Exit Devices with Optional SB134 or SB214 Open Back Strike
Application for Pair of Wood or Composite Doors without Mullion



SUPERSEDES	DO NOT SCALE DRAWING
TEMPLATE NUMBER	DATE
	T30987 8-03