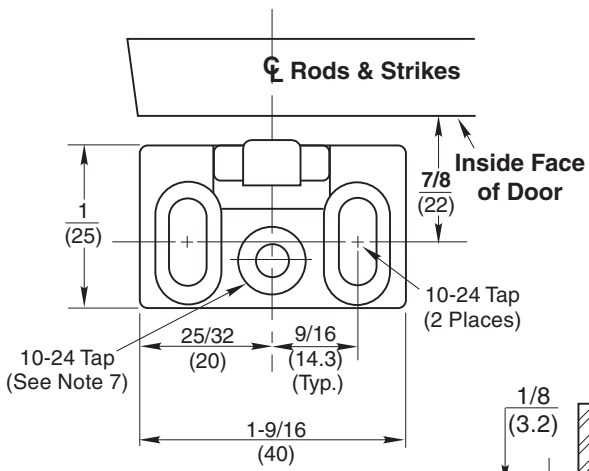
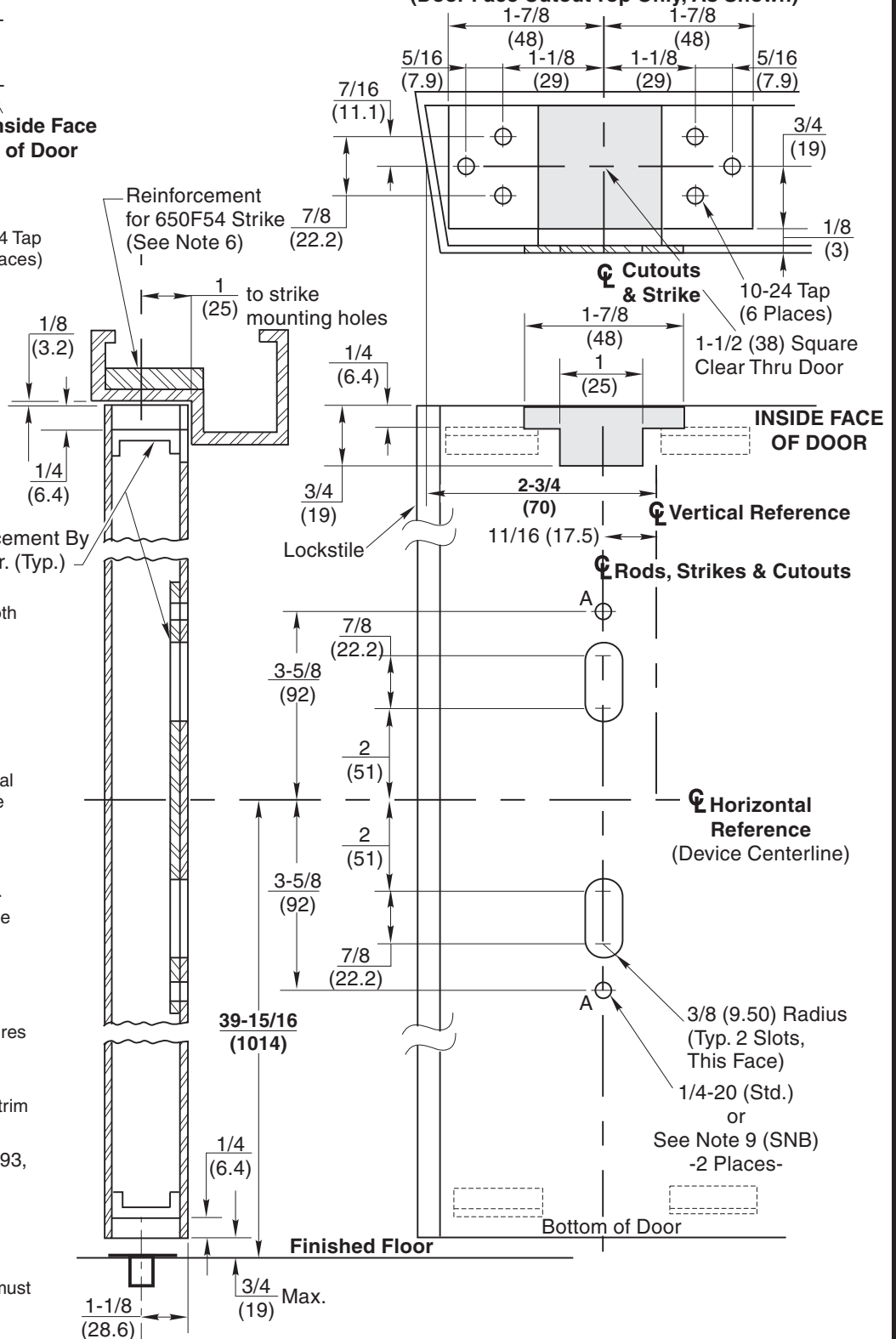


650F54 STRIKE DETAIL



Typical Top & Bottom Door Detail (Door Face Cutout Top Only, As Shown)



Notes:

1. Do not scale drawing.
2. Dimensions are in inches (mm).
3. LHR door shown. Preparation is typical for both door hands.
4. Minimum door stile width: 4-1/2 (114).
5. Prepare mounting holes when installing the device.
6. Unreinforced frames require using blind rivet nuts (by others) to mount the strike.
7. This hole MUST be field located using physical part as template, after installation is complete and device is fully operational.
8. For recommended door reinforcements see template T30800. Unreinforced doors require SNB option to mount the device components.
9. Holes for optional SNB: 9/32 (7.00) dia., inside door face; 3/8 (9.50) dia., outside door face.
10. Provide door stiffeners, as needed to prevent door collapse due to installation with power tools, door use, or abuse.
11. Device mount to hinge stile (not shown) requires hole location and preparation during device installation.
12. For outside trim preparation see appropriate trim template.
13. For electrical devices (suffixes M91, M92, M93, M94, M97) also see template T30890.
14. 5/8 (16.00) diameter x 3/4 (19) deep hole in floor, required.
15. Bottom bolt should retract to 1/8 (3.2) above floor strike. Floor coverings in the door path must be laid accordingly.
16. Maximum thickness 5/32 (4.0) when outside escutcheon trim is used.
17. Maximum Opening Height: 8' (2.44m).

707F268 Floor Strike & Bolt (See Notes 14 & 15)

**ED5800 & ED5800A Series
Concealed Vertical Rod Exit Devices
Standard Application for Metal Door and Frame**



ASSA ABLOY

www.corbinrusswin.com

SUPERSEDES	T30806-2	DO NOT SCALE DRAWING
TEMPLATE NUMBER	T30806-3	DATE 05-09