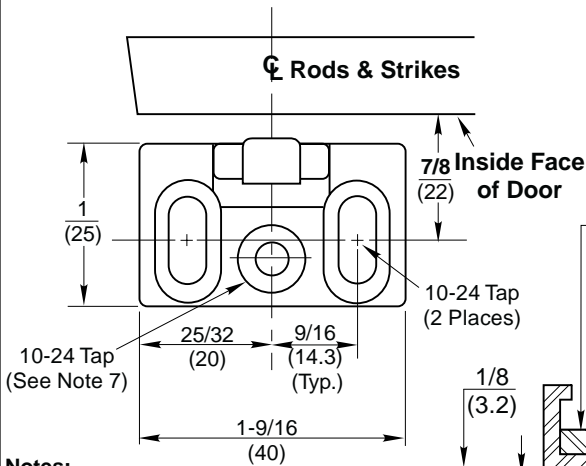
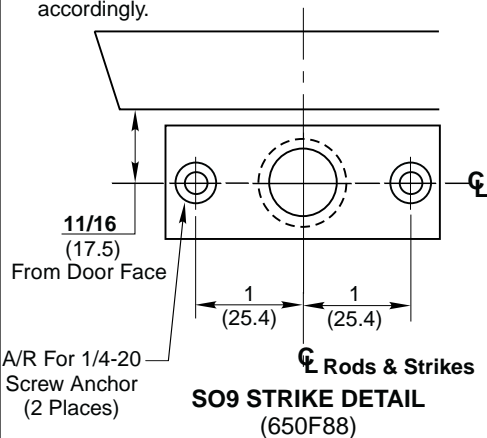


650F54 STRIKE DETAIL

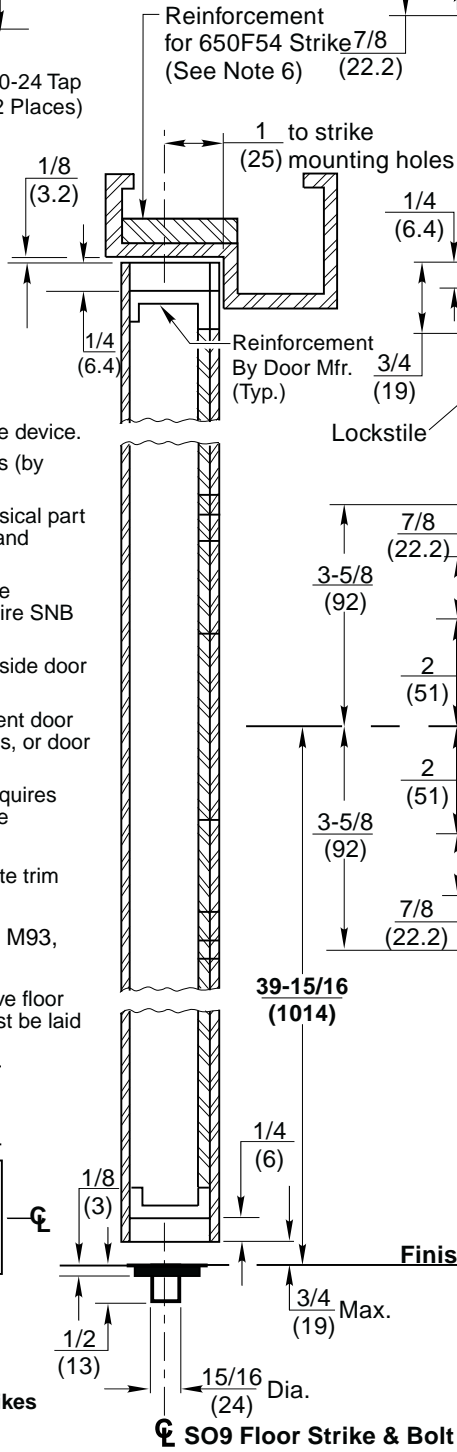


Notes:

1. Do not scale drawing.
2. Dimensions are in inches (mm).
3. LHR door shown. Preparation is typical for both door hands.
4. Minimum door stile width: 4-1/2 (114).
5. Prepare mounting holes when installing the device.
6. Unreinforced frames require blind rivet nuts (by others) to mount the strike.
7. This hole MUST be field located using physical part as template, after installation is complete and device is fully operational.
8. For recommended door reinforcements see template T30800. Unreinforced doors require SNB option to mount the device components.
9. Holes for optional SNB: 9/32 (7.00) dia., inside door face; 3/8 (9.50) dia., outside door face.
10. Provide door stiffeners, as needed to prevent door collapse due to installation with power tools, or door use, or abuse.
11. Device mount to hinge stile (not shown) requires hole location and preparation during device installation.
12. For outside trim preparation see appropriate trim template.
13. For electrical devices (suffixes M91, M92, M93, M94, M97) also see template T30890.
14. Bottom bolt should retract to 1/8 (3.2) above floor strike. Floor coverings in the door path must be laid accordingly.

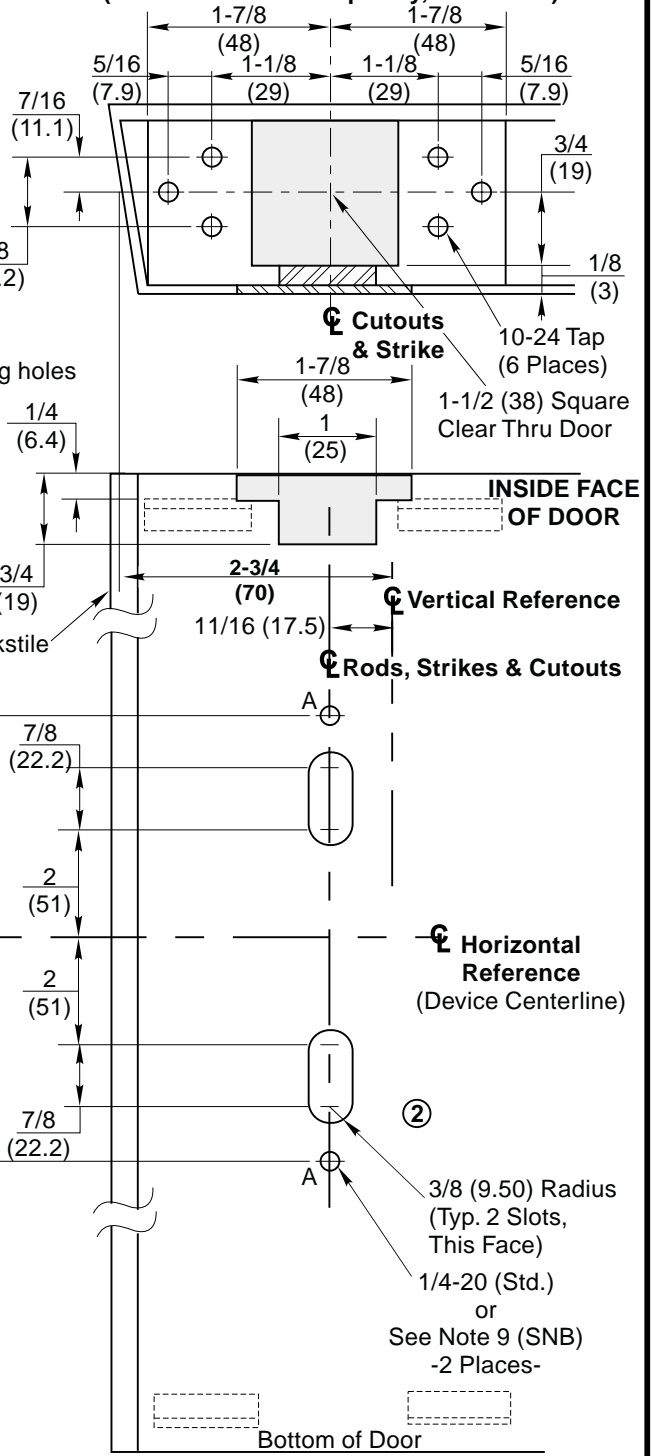


SO9 STRIKE DETAIL (650F88)



SO9 Floor Strike & Bolt

Typical Top & Bottom Door Detail (Door Face Cutout Top Only, As Shown)



Finished Floor

Bottom of Door

ED5800 & ED5800A Series Concealed Vertical Rod Exit Devices with Optional SO9 Strike
 Application for Metal Door and Frame Without Threshold



www.corbinrusswin.com

SUPERSEDES T30808-1 DO NOT SCALE DRAWING
 TEMPLATE NUMBER T30808-2 DATE 2-00