

MOUNTING INFORMATION

- **For Non-Fire Rated Exit Devices:**
Sex nuts or through bolts **are recommended** for wood core, wood and plastic covered composite doors, and any type of door without reinforcements.
- **For Fire Rated Exit Devices:**
Sex nuts or through bolts **are required** for wood core, wood and plastic covered composite doors, and any type of door without reinforcements.

NOTES:

1. BACKSET IS MEASURED FROM CENTERLINE OF BEVEL WHICH IS CENTERPOINT OF DOOR THICKNESS.
2. RECOMMENDED MINIMUM STILE 5" (127).
3. REFER TO SEPARATE TEMPLATE FOR LOCK AND TRIM PREPARATION.
4. DIMENSIONS GIVEN IN INCHES AND (MM).

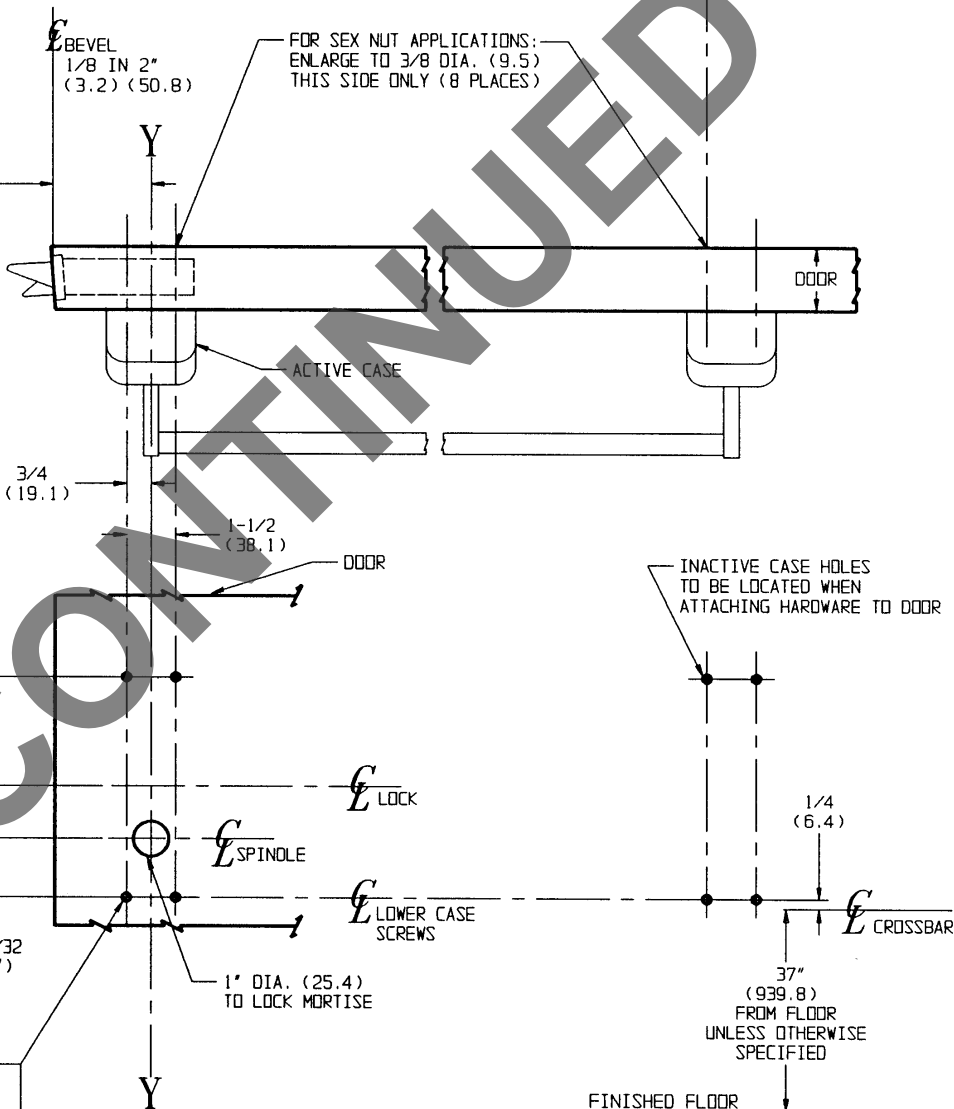
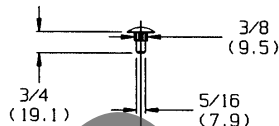
TEMPLATE CROSS REFERENCE

DESCRIPTION	TEMPLATE
MLE03, MLE06 MORTISE EXIT LOCK	T30586
MLE10, MLE11 MORTISE EXIT LOCK (ECE)	T30635
OPEN BACK STRIKE	T30606

LHR SHOWN
RHR OPPOSITE

DEVICE SERIES	EXIT LOCK
ED6600	MLE03
ED6600A	MLE06
ED66900	MLE10
ECE SERIES	MLE11

SEX NUT DETAIL



#12-24 TAP FOR MACHINE SCREW (8 PLACES)

OR DRILL FOR #12 WOOD SCREW
ED6600 & ED66900 ONLY
(8 PLACES)

SEX NUT APPLICATIONS:
1/4 DIA. (6.4) THRU CLEARANCE
FOR #12-24 MACHINE SCREW
(8 PLACES)

INSIDE FACE OF DOOR
(DEVICE SIDE)

SUPERSEDES:
V25708, VT30226
23196A

RESPONSIBILITY

Door and Frame Manufacturers are responsible for providing adequate construction or reinforcements for proper installation of hardware shown. All architectural builders hardware must be installed on properly reinforced doors and frames, regardless of the type, material, or method of construction.

ED6600 SERIES
ED6600A SERIES
ED66900 ECE SERIES

CROSSBAR MORTISE DEVICE

**Corbin
Russwin**
www.corbinrusswin.com

DO NOT SCALE DRAWING

SUPERSEDES	SEE ABOVE	DR.	KJ	
DATE	6/3/93	TEMPLATE NUMBER	T 30588	