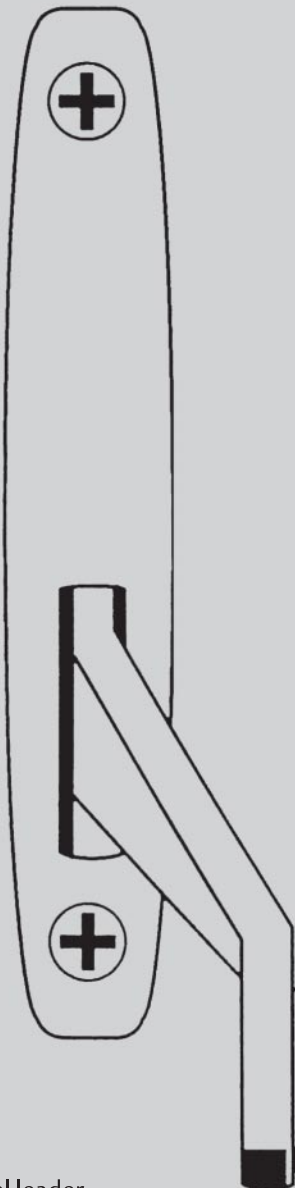
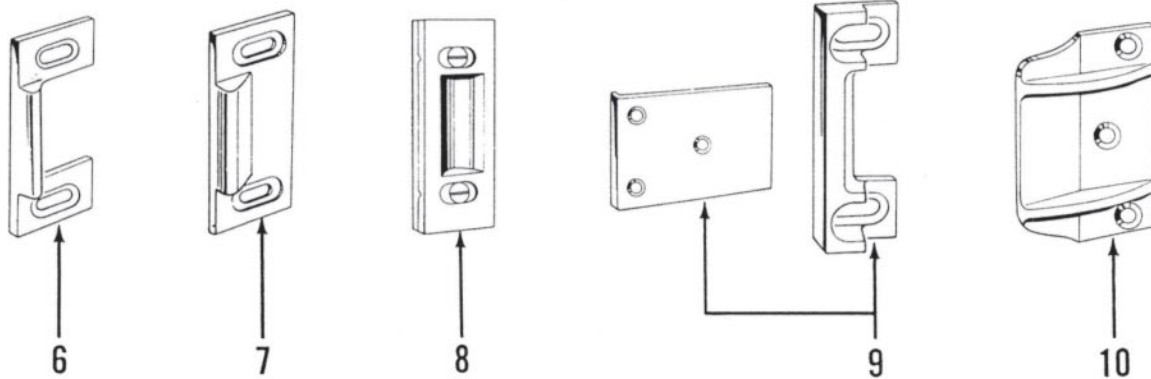
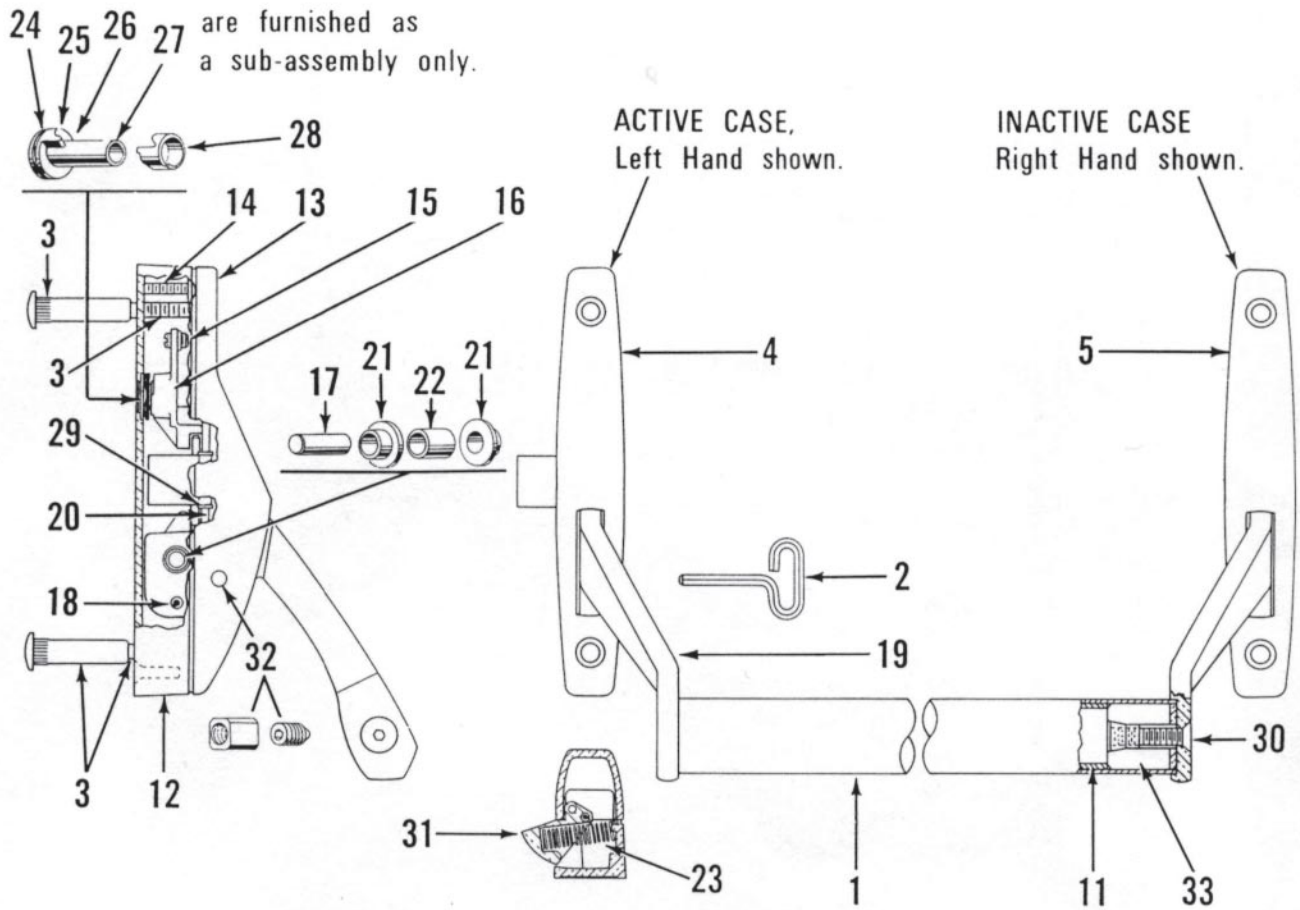


ED7000 Series

Exit Device Parts Manual

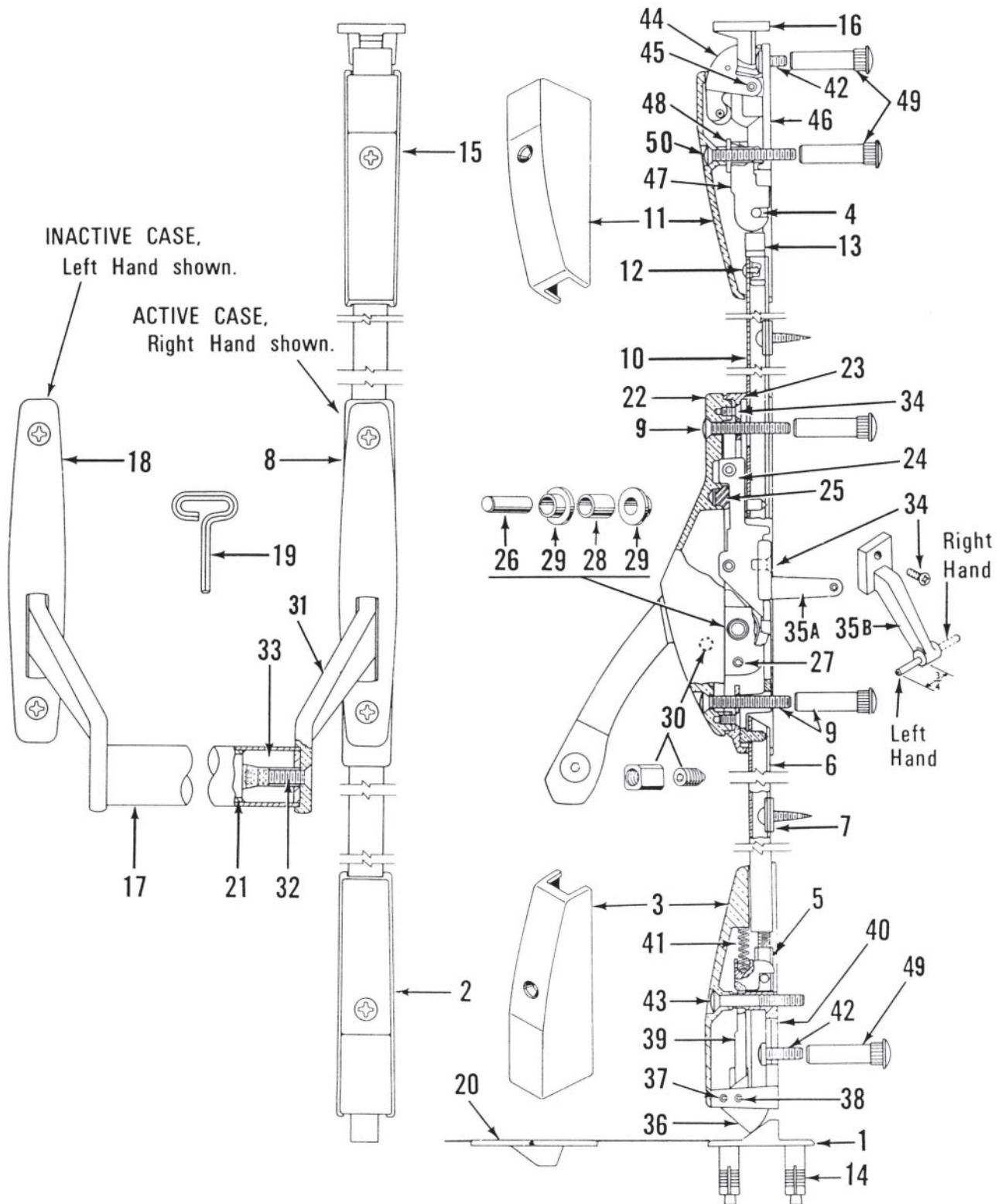




ITEM	PART NAME and DESCRIPTION	PART NO.
1	CROSSBAR Regularly 31 ¹¹ / ₁₆ " long, unless otherwise specified	141L59
2	WRENCH	123F53
3	SCREW PACKET No Outside Trim, For Active & Inactive Cases (4 each Sex Nuts & Bolts)	1 ³ / ₈ " Door 329F75 1 ³ / ₄ " Door 269F91 2 ¹ / ₄ " Door 270F01
	For Inactive Case ED7200, ED7200 x M52, ED7200 x M66 (2 each Sex Nuts & Bolts)	1 ³ / ₈ " Door 329F76 1 ³ / ₄ " Door 269F92 2 ¹ / ₄ " Door 270F02
	4 ACTIVE CASE SUB ASS'Y	ED7200 R. H. 269F69 L. H. 269F70
		ED7200 x M52 R. H. 269F71 L. H. 269F72
	ED7200 x M66 R. H. 269F65 L. H. 269F66	
	ED7200 x M52 x M66 R. H. 269F67 L. H. 269F68	
5 *INACTIVE CASE SUB ASS'Y	ED7200, R. H. 269F73 ED7200 x M66 L. H. 269F74	
	ED7200 x M52, R. H. 269F75 ED7200 x M66 x M52 L. H. 269F76	
	6 ADJ. STRIKE (includes screws)	145F56
	7 ADJ. STRIKE (includes screws)	145F55
8 ADJ. STRIKE (includes screws)	142F43	
9 ADJ. STRIKE (includes screws)	300F71	

*See page 8 for Inactive Case component parts list.

ITEM	PART NAME and DESCRIPTION	PART NO.
10	ADJ. STRIKE (includes screws)	292F41
11	REINFORCING TUBE specify length	141L54
12	ACTIVE CASE	269F36
13	COVER ED7200, R. H. 269F33 ED7200 x M66 L. H. 269F34	
	ED7200 x M52, ED7200 x M52 x M66	269F34
	14 10-32 X 1" PHILLIPS FLAT HEAD MACHINE SCREW	291F57
15	SCREW	333F51
16	LATCH RETRACTOR ED7200 x M66	269F39
	ED7200	269F40
17	LEVER PIVOT	269F48
18	59-040-187-05-0750 ROLLPIN	228F80
19	LEVER R. H. 269F32 L. H. 269F31	
	20 LATCH PIN	269F58
21	BUSHING	269F49
22	NYLINER	269F47
23	LATCH SPRING	269F53
24	WASHER ED7200 x M66	269F56
	ED7200	269F55
25	SPRING WASHER	269F57
26	HUB	269F37
27	HUB SHANK	269F52
28	HOLDBACK SLEEVE	269F46
29	NYLON WASHER	164F32
30	⁵ / ₁₆ -24 UNF-2A X 1 ¹ / ₂ " FH SOCKET MACHINE SCREW	261F31
31	LATCH SUB ASS'Y	376F42
32	DOGGING DEVICE SUB ASS'Y	321F90
33	TENON SUB ASS'Y	378F74

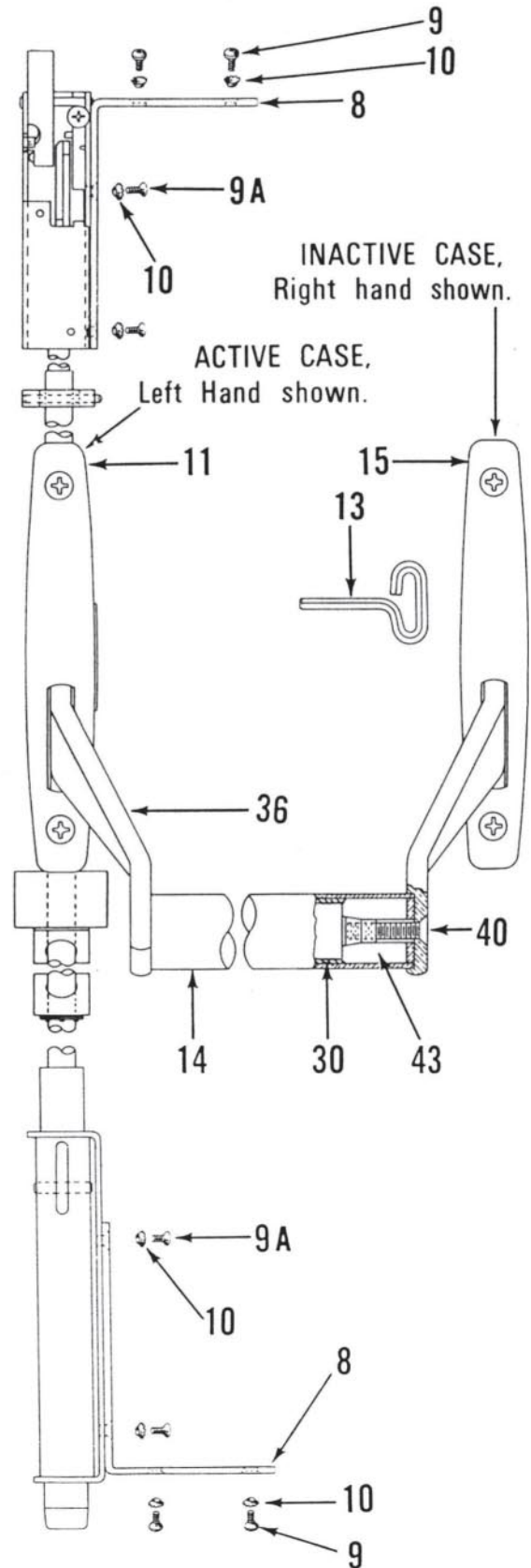
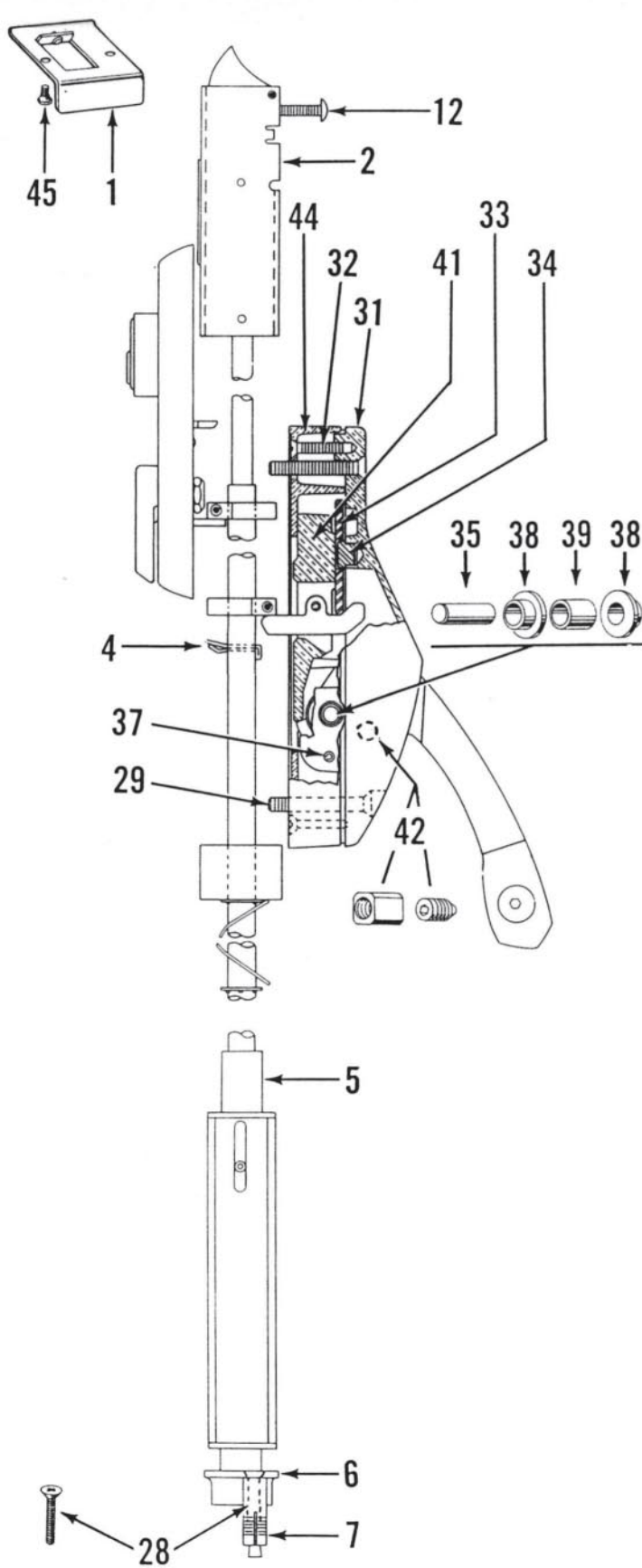


ITEM	PART NAME and DESCRIPTION	PART NO.	
1	BOTTOM STRIKE (includes screws and anchors)	352F04	
2	BOTTOM LATCH SUB ASS'Y (complete bottom latch less cover)	351F90	
3	BOTTOM LATCH COVER	351F72	
4	PIN	352F03	
5	ADJUSTING BOLT	351F93	
6	ADJ. BOTTOM ROD SUB ASS'Y	392L19M537	
7	ROD GUIDE SUB ASS'Y	352F01	
8	ACTIVE CASE SUB ASS'Y No outside trim 1 3/8", 1 3/4", 2 1/4" Doors ED7400	With dogging R. H.	351F56
		L. H.	351F57
	Less dogging	R. H.	351F58
		L. H.	351F59
	With outside operator trim 1 3/4" Doors ED7400	With dogging R. H.	351F60
		L. H.	351F61
	Less dogging	R. H.	351F62
		L. H.	351F63
	With outside operator trim 2 1/4" Doors ED7400	With dogging R. H.	364F82
		L. H.	364F83
	Less dogging	R. H.	364F84
		L. H.	364F85
With lever handle trim 1 3/4" Doors ED7401	With dogging R. H.	364F90	
	L. H.	364F91	
Less dogging	R. H.	364F92	
	L. H.	364F93	
9	SCREW PACKET No Outside Trim ED7400 For Active & Inactive Cases (4 each Sex Nuts & Bolts) ED7400 (4 each Sex Nuts & Bolts)	1 3/8" Door	329F75
		1 3/4" Door	269F91
		2 1/4" Door	270F01
		1 3/4" Door	269F92
	2 1/4" Door	270F02	
10	TOP ROD (regularly furnished)	393L13M672	
11	TOP LATCH COVER	351F73	
12	DRIVE RIVET	352F02	
13	TOP ROD CONNECTOR SUB ASS'Y	351F98	
14	ANCHOR	361F30	
15	TOP LATCH SUB ASS'Y (complete top latch less cover)	351F85	
16	TOP STRIKE (includes screws)	352F05	
17	CROSSBAR Regularly 31 11/16" long, unless otherwise specified	141L59	
18	*INACTIVE CASE SUB ASS'Y	With dogging R. H.	269F73
		L. H.	269F74
		Less dogging R. H.	269F75
		L. H.	269F76
19	WRENCH	123F53	

*See page 8 for Inactive Case component parts list.

ITEM	PART NAME and DESCRIPTION	PART NO.	
20	FLUSH BOTTOM STRIKE (includes screws and anchor)	361F91	
21	REINFORCING TUBE Specify length	141L54	
22	COVER only	With dogging R. H.	269F33
		L. H.	269F34
		Less dogging	269F35
23	ACTIVE CASE only	With bottom rod	351F50
		Without bottom rod	351F51
24	SLIDE SUB ASS'Y	351F55	
25	BUTTON	269F54	
26	LEVER PIVOT	269F48	
27	#59-040-187-05-0750 ROLLPIN	228F80	
28	NYLINER	269F47	
29	BUSHING	269F49	
30	DOGGING DEVICE SUB ASS'Y	321F90	
31	LEVER	R. H.	269F32
		L. H.	269F31
32	5/16-24 UNF-2A x 1 1/2" FLAT HEAD SOCKET MACHINE SCREW	261F31	
33	TENON SUB ASS'Y	378F74	
34	**10-32 x 7/16" PHIL. FLAT H'D UNDCUT MACH. SCREW	351F52	
35A	SLIDE EXTENSION SUB ASS'Y For Grip or Pull Trim	1 3/4" Door	365F00
		2 1/4" Door	365F01
35B	For Lever Handle Trim - Specify hand	1 3/4" Doors only	365F03
36	BOTTOM LATCH only	351F86	
37	#79-032-156-0937 ROLLPIN (in frame)	351F80	
38	#79-032-156-0562 ROLLPIN (in latch)	228F68	
39	LATCH LINK	351F87	
40	BOTTOM LATCH BACKPLATE	351F88	
41	SPRING	351F89	
42	1/4-20 X 3/4" PHIL. BINDING UNDERCUT MACH. SCREW (Specify US19)	352F06	
43	1/4-20 X 2" PHIL. OVAL HEAD TAPPING SCREW for Metal Doors		365F98
		#14 X 2 1/4" SLOTTED OVAL HEAD WOOD SCREW for Wood Doors	352F07
44	TOP LATCH only	351F79	
45	#79-040-187-0875 ROLLPIN	284F97	
46	TOP LATCH BACKPLATE	351F82	
47	TOP LATCH SLIDE	351F83	
48	SPACER	351F84	
49	SEX NUT only	1 3/8" Door Thickness	101F73
		1 3/4" Door Thickness	101F74
		2 1/4" Door Thickness	101F75
50	THROUGH BOLT	270F11	

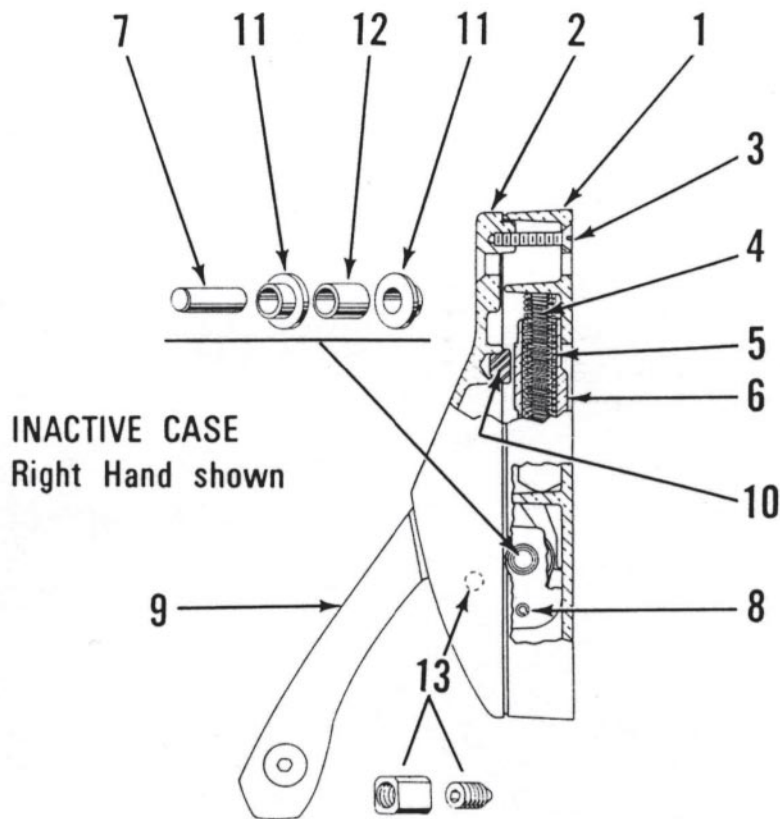
**Apply grade EV Loctite (or equivalent) to threads.



ITEM	PART NAME and DESCRIPTION	PART NO.	
1	TOP STRIKE Regular	183F85	
	SUB ASS'Y Reveal Depth 5 1/2" To 8"	213F10	
	includes screws Under 5 1/2"	213F11	
2	TOP LATCH for door heights 6'4" to 8'6"	183F74	
	SUB ASS'Y (includes top rod) for door heights 8'6" to 10'8"	183F75	
4	COTTER PIN	269F04	
5	LOWER BOLT SUB ASS'Y (includes bottom rod)	305F72	
6	BOTTOM STRIKE (includes screws and anchors)	123F22	
7	ANCHOR	361F30	
8	MOUNTING BRACKET	122F18	
9	#10-32 NF-2A X 7/16" PHILLIPS FLAT HEAD UNDERCUT MACHINE SCREW specify finish	351F52	
9A	#10-32 NF-2A X 1/4" PHILLIPS OVAL HEAD UNDERCUT MACHINE SCREW	269F09	
10	LOCK WASHER 82° external c'sink type	269F05	
11	ACTIVE CASE With dogging	R. H.	291F52
		L. H.	291F53
	SUB ASS'Y Less dogging	R. H.	291F54
		L. H.	291F55
12	#10-32 X 1 1/4" PHIL TORX HEAD MACH. SCREW	282F35	

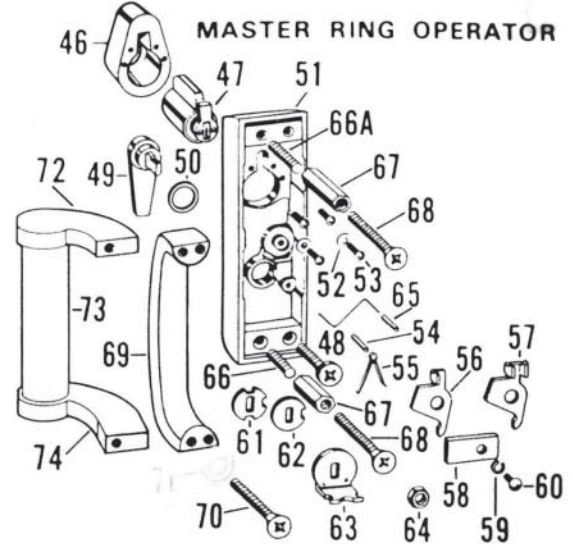
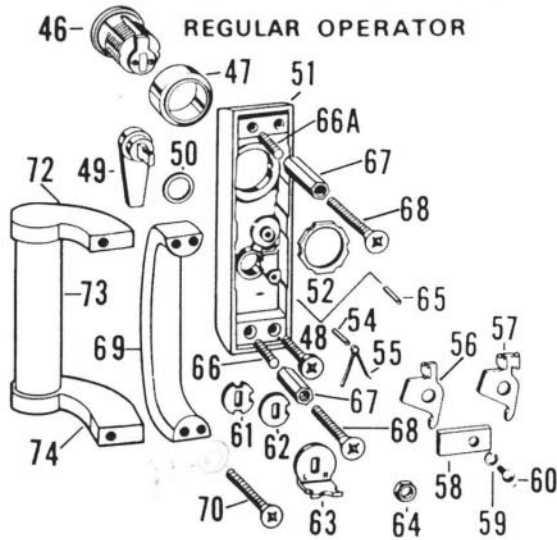
ITEM	PART NAME and DESCRIPTION	PART NO.	
13	WRENCH	123F53	
14	CROSSBAR Regularly 31 11/16" long, unless otherwise specified	141L59	
15	*INACTIVE CASE SUB ASS'Y With dogging	R. H.	269F73
		L. H.	269F74
	Less dogging	R. H.	269F75
		L. H.	269F76
28	1/4-20NC-2A X 5/8" PHIL. FLAT HEAD MACH. SCREW	220F75	
29	1/4-20NC-2A X 1 3/4" PHIL. OVAL HEAD MACH. SCREW	249F33	
30	REINFORCING TUBE Specify length	141L54	
31	COVER only With dogging	R. H.	269F33
		L. H.	269F34
	Less dogging		269F35
32	#10-32 X 1" PHILLIPS FLAT HEAD MACHINE SCREW	291F57	
33	STOP PLATE	291F49	
34	BUTTON	291F54	
35	LEVER PIVOT	269F48	
36	LEVER	R. H.	269F32
		L. H.	269F31
37	#59-040-187-0750	228F80	
38	BUSHING	269F49	
39	NYLINER	269F47	
40	5/16-24 UNF-2A X 1 1/2" FH SOCKET MACH. SCREW	261F31	
41	SLIDE SUB ASS'Y	293F18	
42	DOGGING DEVICE SUB ASS'Y	321F90	
43	TENON SUB ASS'Y	378F74	
44	CASE only. For active and inactive sub-assemblies	269F42	
45	#8-32NC-2A X 3/8" PHILLIPS FLAT HEAD UNDERCUT MACHINE SCREW	269F08	

*See page 8 for Inactive Case component parts list.



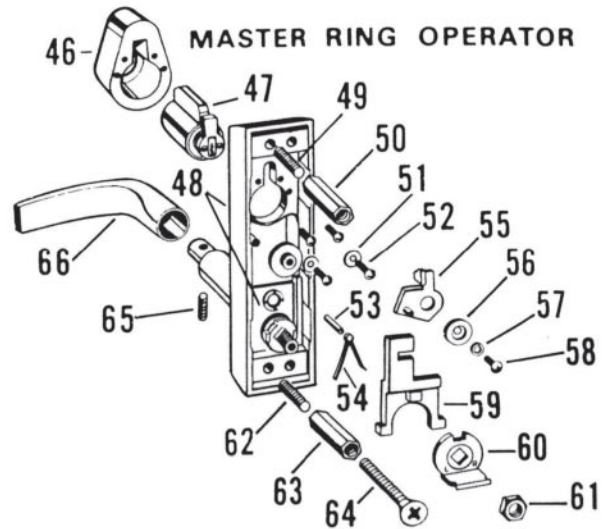
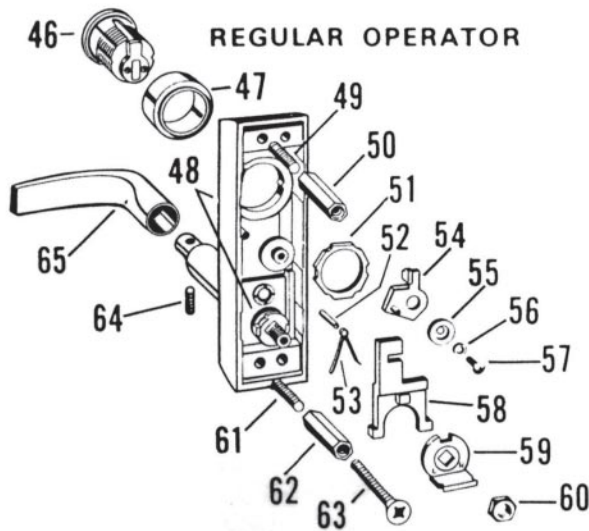
ITEM	PART NAME and DESCRIPTION	PART NO.	
1	INACTIVE CASE only	269F42	
2	COVER With dogging	R. H.	269F33
		L. H.	269F34
		Less dogging	269F35
3	#10-32 X 1" PHILLIPS FLAT HEAD MACHINE SCREW	291F57	
4	INNER SPRING	269F60	
5	OUTER SPRING	269F57	
6	SLIDE	269F41	
7	LEVER PIVOT	269F48	
8	#59-040-187-0750 ROLLPIN	228F80	
9	LEVER	R. H.	269F32
		L. H.	269F31
10	BUTTON	269F54	
11	BUSHING	269F49	
12	NYLINER	269F47	
13	DOGGING DEVICE	321F90	

0355, 0357, 0455, 0456, 0457



ITEM	PART NAME and DESCRIPTION	PART NO.
46	CYLINDER ASSEMBLY	As Cataloged
47	CYLINDER COLLAR	134F05
48	1/4-20 X 3/8" PHIL. BINDING HEAD MACHINE SCREW	352F06
49	HANDLE LEVER	122F64
50	SPACER WASHER (NYLON)	122F63
51	CASE	363F05
52	HEX NUT	129F84
54	ROLLPIN (#79-028-125-0500 ST'D)	228F51
55	SPRING-LOCKING LEVER	122F59
56	LOCKING LEVER for 4163, 4168, 693, 698	122F57
57	LOCKING LEVER for 4161, 691	122F56
58	PLATE	362F91
59	#10 LIGHT SPRING WASHER	306F07
60	#10-24 X 5/16" PHIL. ROUND HEAD MACHINE SCREW	306F06
61	LOCKING HUB for 4163, 693	122F61
62	LOCKING HUB for 4161, 4168, 691, 698	122F60
63	LIFTING LEVER	185F55
64	JAM NUT	184F94
65	ROLLPIN (#79-028-125-0343)	228F49
66	STUD	173F69
66A	STUD	140F52
67	NUT	362F49
68	SCREW	352F06
69	PULL SA	404F57
70	SCREW PACKET	for 1 3/4" dr. - 1/4-20 X 2 5/8" OHMS-PH 285F33 for 2 1/4" dr. - 1/4-20 X 3 1/8" OHMS-PH 222F94
72	BRACKET TOP	R. H. 362F98 L. H. 362F99
73	GRIP	328F80
74	BRACKET BOTTOM	R. H. 363F02 L. H. 363F03

ITEM	PART NAME and DESCRIPTION	PART NO.
46	CYLINDER ASSEMBLY (for Master Ring Cyl.)	As Cataloged
47	MASTER RING CYLINDER	As Cataloged
48	1/4-20 X 3/4" PHILLIPS BINDING HEAD MACHINE SCREW	352F06
49	HANDLE LEVER	122F64
50	SPACER WASHER (NYLON)	122F63
51	CASE	363F07
52	WASHER	122F24
53	#6-32 X 5/8" ROUND HEAD MACHINE SCREW	268F84
54	ROLLPIN (#79-028-125-0500 ST'D)	228F51
55	SPRING-LOCKING LEVER	122F59
56	LOCKING LEVER for MR4163, MR4168, MR693, MR698	122F57
57	LOCKING LEVER for MR4161, MR691	122F56
58	PLATE	362F91
59	#10 LIGHT SPRING WASHER	306F07
60	#10-24 X 5/16" PHIL. ROUND HEAD MACHINE SCREW	306F06
61	LOCKING HUB for MR4163, MR693	122F61
62	LOCKING HUB for MR4161, MR4168, MR691, MR698	122F60
63	LIFTING LEVER	185F55
64	JAM NUT	184F94
65	ROLLPIN (#79-028-125-0343)	228F49
66	STUD	173F69
66A	STUD	140F52
67	NUT	362F49
68	SCREW	352F06
69	PULL SA	404F57
70	SCREW PACKET	for 1 3/4" dr. - 1/4-20 X 2 5/8" OHMS-PH 285F33 for 2 1/4" dr. - 1/2-20 X 3 1/8" OHMS-PH 222F94
72	BRACKET TOP	R. H. 362F98 L. H. 362F99
73	GRIP	328F80
74	BRACKET BOTTOM	R. H. 363F02 L. H. 363F03



ITEM	PART NAME and DESCRIPTION	PART NO.
46	CYLINDER ASSEMBLY	As cataloged
47	CYLINDER COLLAR	134F05
48	CASE & TORQUE RELEASE SUB ASSY	R.H. 364F38
		L.H. 364F39
		R.H. 364F36
		L.H. 364F37
49	STUD	140F52
50	NUT	173F72
51	HEX NUT	129F84
52	ROLLPIN	228F51
53	SPRING - LOCKING LEVER	122F59
54	LOCKING LEVER	for x455 365F53
		for x457 365F54
55	WASHER	364F22
56	#10 LIGHT SPRING WASHER	306F07
57	#10-24 X 5/16" PHIL ROUND HEAD MACH. SCREW	364F17
58	LOCKING SLIDE	364F27
59	LIFTING LEVER	364F30
60	JAM NUT	184F94
61	STUD	140F52
62	NUT	173F72
63	SCREW PACKET	363F67
64	SET SCREW	262F89
65	HANDLE LEVER	C4 / C4M 152F17
		D4 / D4M RHR 324F09
		D4 / D4M LHR 324F10
		B5M 580F31
		G6M 580F30

ITEM	PART NAME and DESCRIPTION	PART NO.
46	CYLINDER ASSEMBLY (for Master Ring C)	As cataloged
47	MASTER RING CYLINDER	As cataloged
48	CASE & TORQUE RELEASE SUB ASSY	R.H. 364F38
		L.H. 364F39
		R.H. 364F36
		L.H. 364F37
49	STUD	140F52
50	NUT	173F72
51	WASHER	122F24
52	#6-32 X 5/8" RHMS	268F84
53	ROLLPIN	228F51
54	SPRING - LOCKING LEVER	122F59
55	LOCKING LEVER	for x455 365F53
		for x457 365F54
56	WASHER	364F22
57	#10 LIGHT SPRING WASHER	306F07
58	#10-24 X 5/16" PHIL ROUND HEAD MACH. SCREW	364F17
59	LOCKING SLIDE	364F27
60	LIFTING LEVER	364F30
61	JAM NUT	184F94
62	STUD	140F52
63	NUT	173F72
64	SCREW PACKET	363F67
65	SET SCREW	262F89
66	HANDLE LEVER	C4 / C4M 152F17
		D4 / D4M RHR 324F09
		D4 / D4M LHR 324F10
		B5M 580F31
		G6M 580F30

TO CONVERT INCHES TO MILLIMETERS: MULTIPLY BY 25.4

INCHES:		METRIC:
Decimal	Fraction	Millimeters
.03125	1/32	.794
.0625	1/16	1.588
.09375	3/32	2.381
.125	1/8	3.175
.15625	5/32	3.969
.1875	3/16	4.763
.21875	7/32	5.556
.25	1/4	6.350
.28125	9/32	7.144
.3125	5/16	7.938
.34375	11/32	8.731
.375	3/8	9.525
.40625	13/32	10.319
.4375	7/16	11.113
.46875	15/32	11.906
.5	1/2	12.70

INCHES:		METRIC:
Decimal	Fraction	Millimeters
.53125	17/32	13.494
.5625	9/16	14.288
.59375	19/32	15.081
.625	5/8	15.875
.65625	21/32	16.669
.6875	11/16	17.463
.71875	23/32	18.256
.75	3/4	19.050
.78125	25/32	19.844
.8125	13/16	20.638
.84375	27/32	21.431
.875	7/8	22.225
.90625	29/32	23.019
.9375	15/16	23.813
.96875	31/32	24.606
1.0	1	25.40

TO CONVERT MILLIMETERS TO INCHES: MULTIPLY BY .0394



ASSA ABLOY

In U.S.

Corbin Russwin
Architectural Hardware
225 Episcopal Road
Berlin, CT 06037
Phone: 800-543-3658
Fax: 800-447-6714
corbinrusswin.com

In Canada

ASSA ABLOY Door
Security Solutions Canada
160 Four Valley Drive
Vaughan, Ontario
Canada L4K 4T9
Phone: 800-461-3007
Fax: 905-738-2478
www.assaabloy.ca

For more information regarding Corbin Russwin Locksets, Exit Devices, Door Controls and Key Systems, contact your authorized Corbin Russwin Distributor or Sales Representative.

Corbin Russwin and Design® is a registered trademark of Corbin Russwin, Inc, an ASSA ABLOY Group company. Other products' brand names may be trademarks or registered trademarks of their respective owners and are mentioned for reference purposes only. These materials are protected under US copyright laws. All contents current at time of publication. Corbin Russwin, Inc., an ASSA ABLOY Group company reserves the right to change availability of any item in this catalog, its design, construction, and/or its materials. Copyright © 1997, 2009 Corbin Russwin, Inc., an ASSA ABLOY Group company. All rights reserved. Reproduction in whole or in part without the express written permission of Corbin Russwin, Inc. is prohibited.

ASSA ABLOY is the global leader in door opening solutions, dedicated to satisfying end-user needs for security, safety and convenience.