

TEMPLATE FOR APPLYING TRIM ON OUTSIDE OF DOORS WITH MORTISE AND MODEL 73 VERTICAL ROD EXIT DEVICES.

CENTERLINE OF CYLINDER

No. 1



OUTSIDE TRIM SERIES NUMBERS WITH KEY OPERATIONS:
MODEL 73 VERTICAL ROD EXIT DEVICE
 027
 406F33 BELMONT X 777
MORTISE EXIT DEVICE
 027M
 406F33 BELMONT X 778N

[MR Symbol Indicates Master Ring Cylinder].

No. 2



OUTSIDE TRIM SERIES NUMBERS NO KEY OPERATION.
MODEL 73 VERTICAL ROD EXIT DEVICE
 027B - OPERATING KNOB
 406F33 BELMONT X B777 - OPERATING KNOB
 027D - RIGID KNOB
 406F33 BELMONT X D777 - RIGID KNOB
MORTISE EXIT DEVICE
 027BM - OPERATING KNOB
 406F33 BELMONT X B778N - OPERATING KNOB
 027D - RIGID KNOB
 406F33 BELMONT X D778N - RIGID KNOB

Your trim may be furnished with lever handle in place of knob.

BEFORE PROCEEDING LINE UP TEMPLATE CAREFULLY AS FOLLOWS:

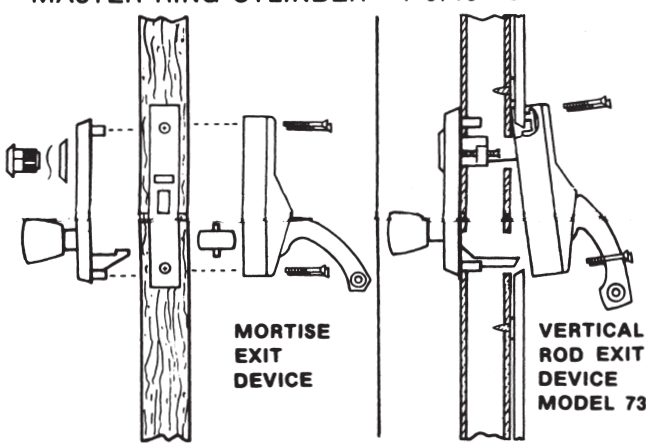
- (1) LINE UP CYLINDER HOLE CENTER LINES WITH CENTERLINE OF CYLINDER HOLE DRILLED THROUGH FROM INSIDE OF DOOR.
- (2) BE SURE TEMPLATE EDGE IS PARALLEL TO EDGE OF DOOR.

CAUTION: DRILL ONLY HOLES WHICH APPLY TO YOUR TRIM INSTALLATION.

CENTERLINE OF CYLINDER

TRIM THROUGH BOLT HOLES, DRILL THROUGH DOOR FOR NO. 12 - 24 MACHINE SCREWS. REDRILL HOLES ON OUTSIDE OF DOOR TO 1/2" DIA. - 1" DEEP.

MORTISE EXIT DEVICE CYLINDER HOLE, DRILL THROUGH TO LOCK MORTISE.
VERTICAL ROD EXIT DEVICE MODEL 73, CYLINDER HOLE, DRILL THROUGH DOOR
HOLE DIAMETER
 REGULAR CYLINDER - 1 1/4" DIA.
 MASTER RING CYLINDER - 1 9/16" DIA.



MORTISE EXIT DEVICE

VERTICAL ROD EXIT DEVICE MODEL 73

KNOB SLIDE HOLE
MORTISE, DRILL 1 3/8" DIAMETER HOLE THROUGH TO LOCK MORTISE.

VERTICAL ROD EXIT DEVICE MODEL 73, DRILL 1 1/4" DIAMETER HOLE THROUGH DOOR.

TRIM THROUGH BOLT HOLES, DRILL THROUGH DOOR FOR NO. 12 - 24 MACHINE SCREWS. REDRILL HOLES ON OUTSIDE OF DOOR TO 1/2" DIA. - 1" DEEP.

5 11/32

5/8

7/16

APPLIES ONLY TO VERTICAL ROD EXIT DEVICES MODEL 73.

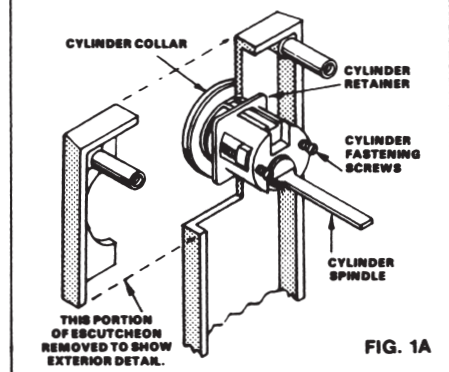


FIG. 1A

APPLIES ONLY TO VERTICAL ROD EXIT DEVICES MODEL 73.

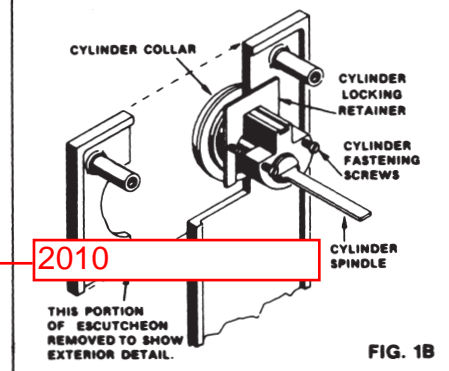


FIG. 1B

THIS OR THIS

2010

Corbin Russwin

ASSA ABLOY

In U.S.:
 Corbin Russwin, Inc.
 225 Episcopal Road
 Berlin, CT 06037 USA
 Phone: 800-543-3658

Technical Product Support:
 Phone: 888-607-5703

In Canada:
 ASSA ABLOY Door Security Solutions Canada
 160 Four Valley Drive
 Vaughan, Ontario, Canada L4K 4T9
 Phone: 800-461-3007

FM423 Rev. 10/10

CENTERLINE OF CYLINDER