

### MOUNTING INFORMATION

- For Non-Fire Rated Exit Devices:  
Sex nuts or through bolts are recommended for wood core, wood and plastic covered composite doors, and any type of door without reinforcements.

LHR SHOWN  
RHR OPPOSITE

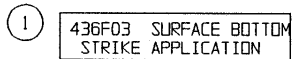
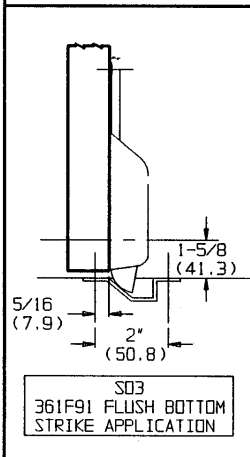
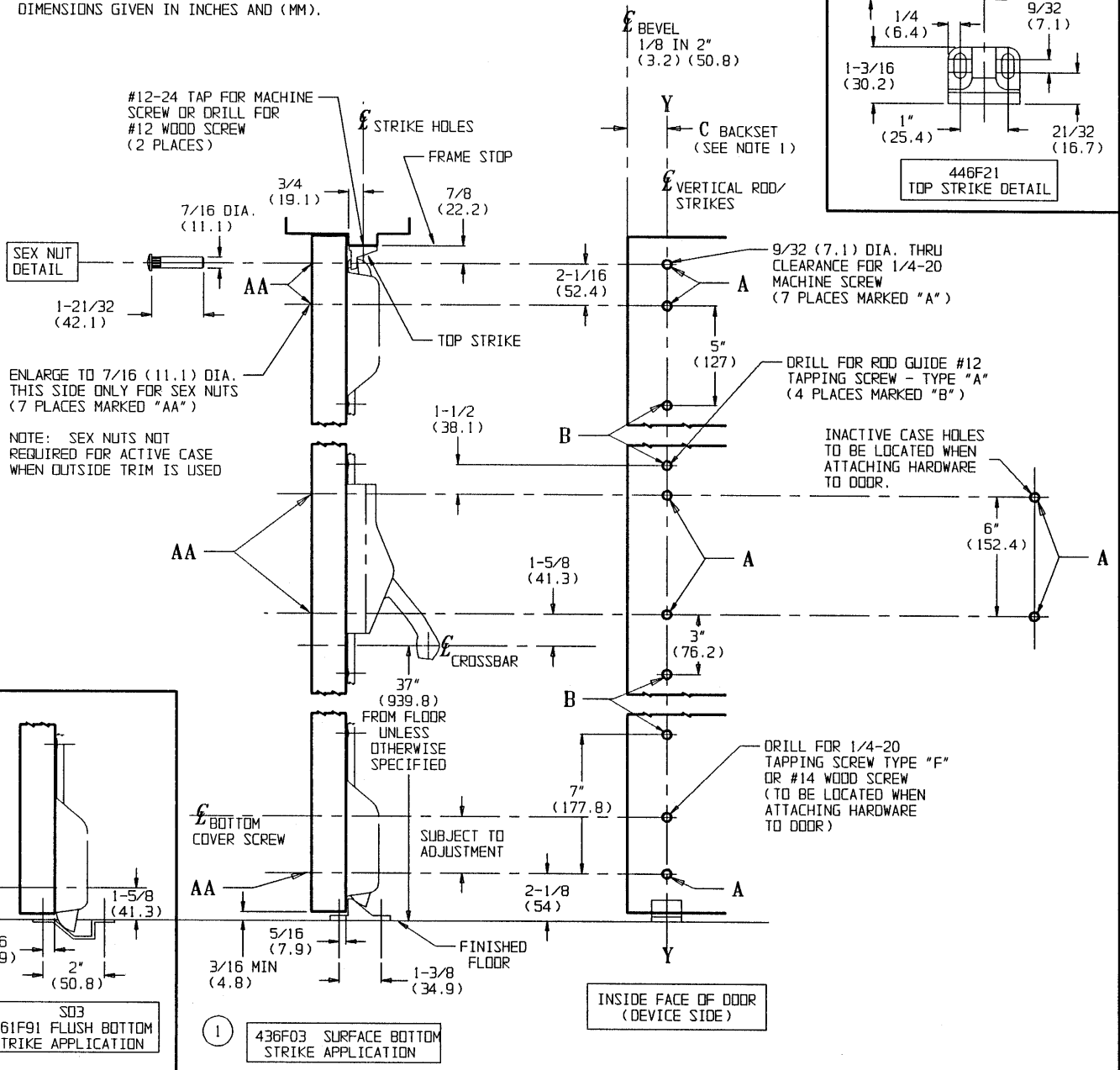
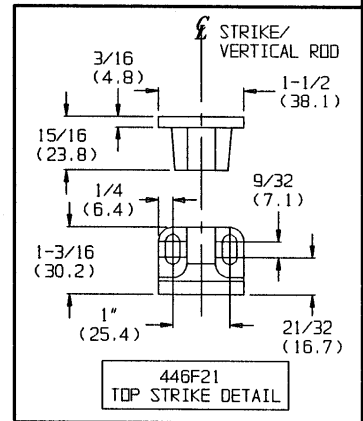
### TEMPLATE CROSS REFERENCE

DESCRIPTION	TEMPLATE
C455, D455, E455 TRIMS	T30470
C457, D457, E457 TRIMS	
D355, D356, D357 TRIMS	T30471
D455, D456, D457 TRIMS	

#### NOTES:

- BACKSET IS MEASURED FROM CENTERLINE OF BEVEL WHICH IS CENTERPOINT OF DOOR THICKNESS.
- FOR PREPARATION OF TRIM, REFER TO SEPARATE TEMPLATE.
- DIMENSIONS GIVEN IN INCHES AND (MM).

C BACKSET MINIMUM	FRAME STOP	MINIMUM STILE
1-1/4 (31.8)	5/8 (15.9)	2" (50.8)
1-1/8 (28.6)	1/2 (12.7)	1-7/8 (47.6)



### RESPONSIBILITY

Door and Frame Manufacturers are responsible for providing adequate construction or reinforcements for proper installation of hardware shown. All architectural builders hardware must be installed on properly reinforced doors and frames, regardless of the type, material, or method of construction.

### ED7400 SERIES

CROSSBAR NARROW STILE  
VERTICAL ROD DEVICE



DO NOT SCALE DRAWING		
SUPERSEDES T30472	DR. OLD	APP.
DATE 1-98	TEMPLATE NUMBER T30472-1	