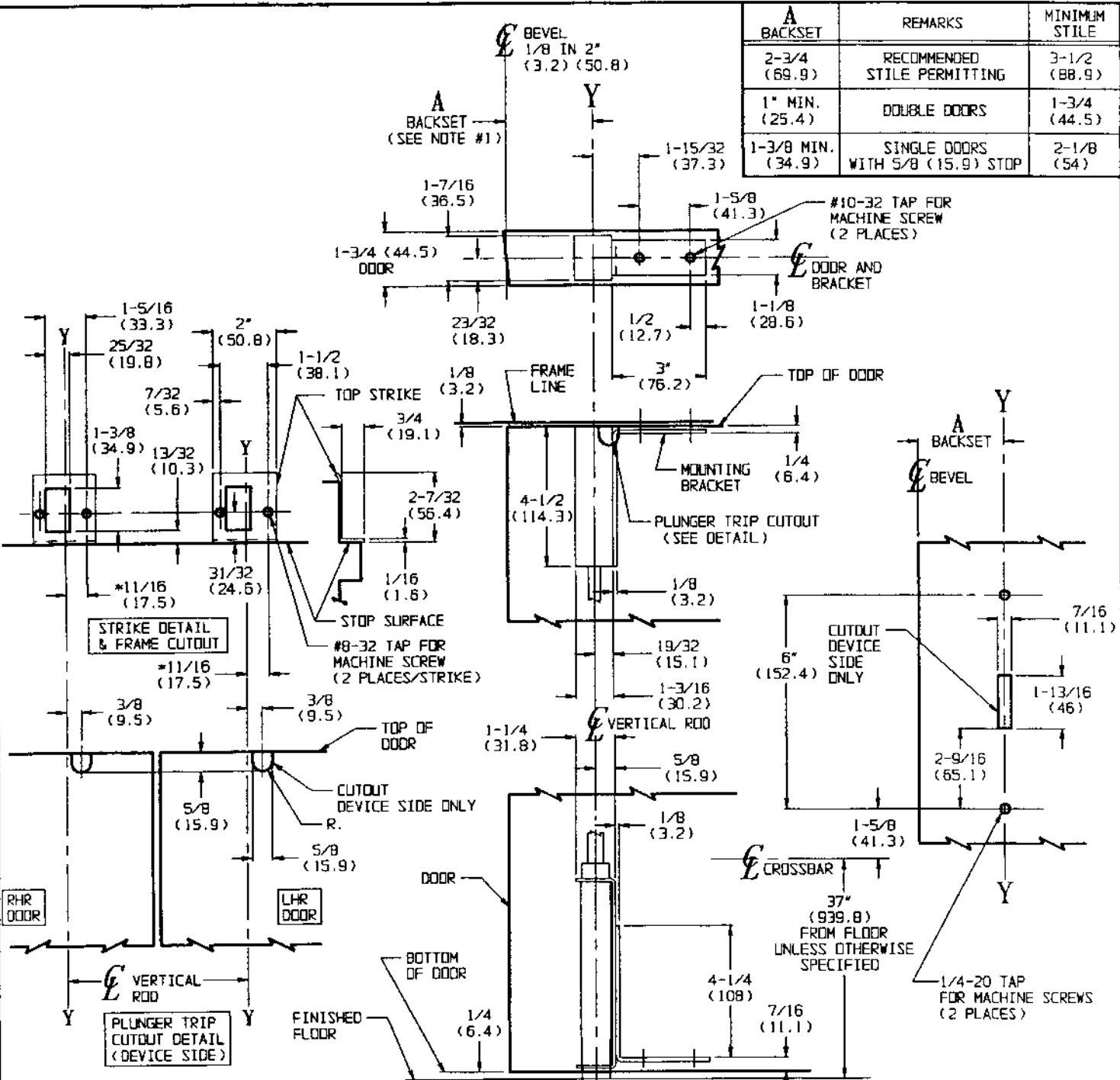
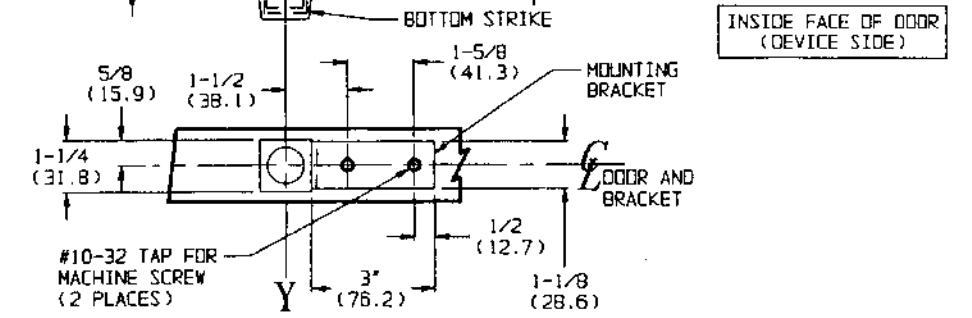


| A BACKSET | REMARKS | MINIMUM STILE |
|-------------------|-----------------------------------|---------------|
| 2-3/4 (69.9) | RECOMMENDED STILE PERMITTING | 3-1/2 (88.9) |
| 1" MIN. (25.4) | DOUBLE DOORS | 1-3/4 (44.5) |
| 1-3/8 MIN. (34.9) | SINGLE DOORS WITH 5/8 (15.9) STOP | 2-1/8 (54) |



- NOTES:
1. BACKSET IS MEASURED FROM CENTERLINE OF BEVEL WHICH IS CENTERPOINT OF DOOR THICKNESS.
 2. DIMENSIONS MARKED (+) ARE RECOMMENDED STRIKE LOCATIONS WHICH CAN VARY FROM 9/16 (14.3) TO 3/4 (19.1) TO SUIT DOOR AND FRAME CONDITIONS.
 3. DIMENSIONS GIVEN IN INCHES AND (MM).
 4. REFER TO TEMPLATE T30625 FOR DOOR FACE MOUNTING LOCATIONS.



RESPONSIBILITY

Door and Frame Manufacturers are responsible for providing adequate construction or reinforcements for proper installation of hardware shown. All Architectural builders hardware must be installed on properly reinforced doors and frames, regardless of the type, material, or method of construction.

ED7800 SERIES
ED7800A SERIES

CROSSBAR NARROW STILE
CONCEALED VERTICAL ROD DEVICE
(BRACKET MOUNTING - METAL DOORS)

Corbin Russwin
www.corbinrusswin.com

DO NOT SCALE DRAWING

SUPERSEDES: T30624 DR. K J

DATE: 5/02 TEMPLATE NUMBER: T30624-1