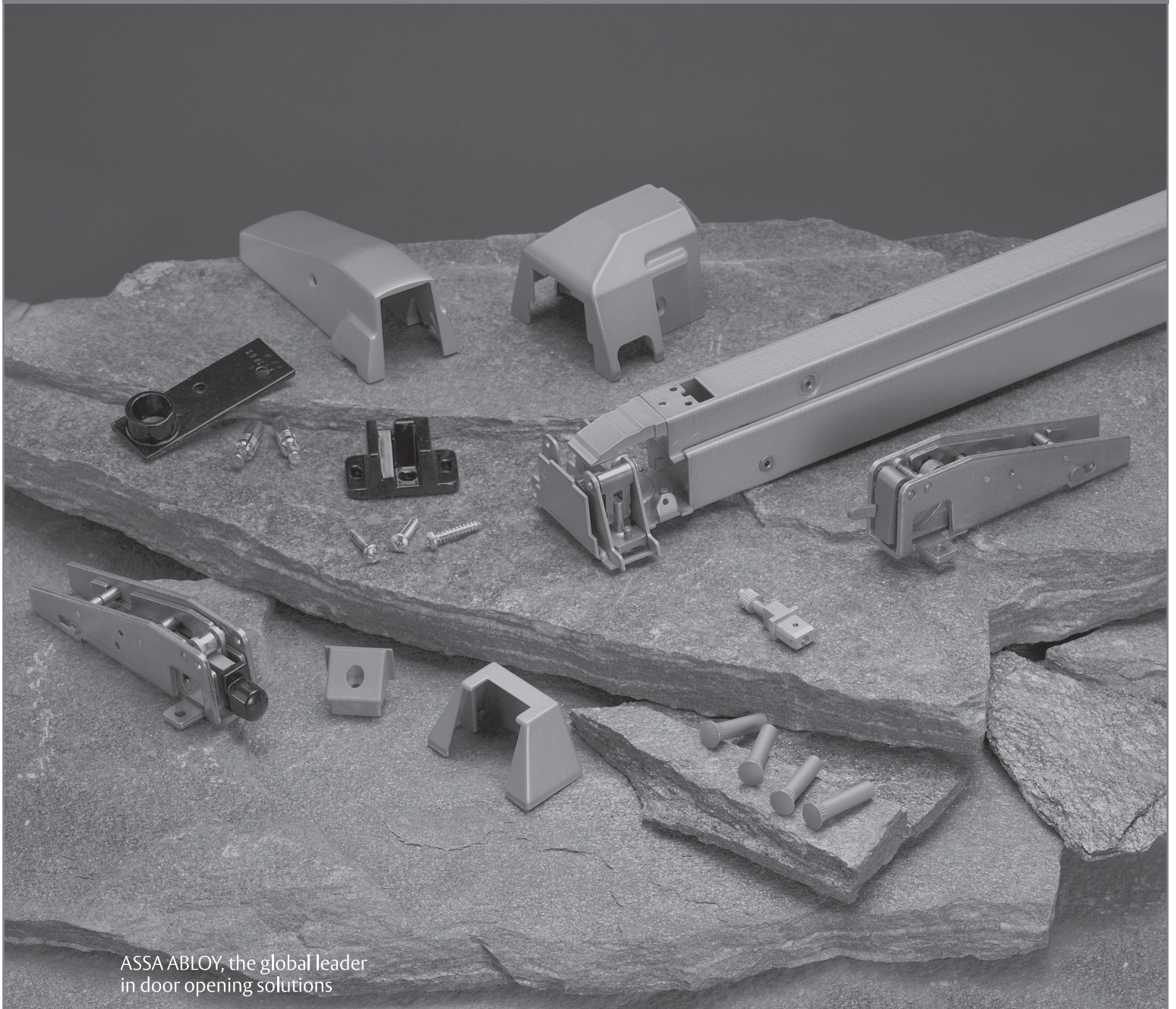


Corbin
Russwin

ASSA ABLOY

ED8000 Series

Pushpad Exit Devices Parts Manual



ASSA ABLOY, the global leader
in door opening solutions

ED8200A Rim Exit Device4
 ED8200(B) Rim Exit Device6
 ED8400A Surface Vertical Rod Exit Device8
 ED8400 Surface Vertical Rod Exit Device.....10
 A6, N6 and PR6 Trim13
 G10 Series Trim14
 F150 and F157 Trim15
 P850 and P857 Series Trim16
 P150 and P157 Trim17
 P250 and P257 Trim18
 Lever Designs.....19
 Shim Kits20
 Mullions.....21
 Cylinders.....22
 Strikes.....23

⚠ WARNING
 This product can expose you to lead which is known to the state of California to cause cancer and birth defects or other reproductive harm. For more information go to www.P65warnings.ca.gov.

Finish Guide

| | |
|----------|--|
| BHMA 605 | Bright Brass (US3) |
| BHMA 606 | Satin Brass (US4) |
| BHMA 611 | Bright Bronze (US9) |
| BHMA 612 | Satin Bronze (US10) |
| BHMA 613 | Dark Oxidized Satin Bronze, oil rubbed (US10B) |
| BHMA 618 | Bright Nickel Plated (US14) (matches US32) |
| BHMA 619 | Satin Nickel Plated (US15) (matches US32D) |
| BHMA 622 | Flat Black Coated (US19) |
| BHMA 625 | Bright Chromium Plated (US26) |
| BHMA 626 | Satin Chromium Plated (US26D) |
| BHMA 629 | Bright Stainless Steel (US32) |
| BHMA 630 | Satin Stainless Steel (US32D) |
| BHMA 600 | Primed for Painting (USP) |
| BHMA 689 | Silver Aluminum Painted (SBL) |
| BHMA 690 | Dark Bronze Painted (LBL) |
| BHMA 691 | Light Bronze Painted (DBL) |
| BHMA 693 | Black Painted (FBL) |
| BHMA 696 | Satin Brass Painted (GBL) |

- All fire-rated components must be used only on fire-rated exit devices. Doing otherwise would violate any type of product labeling or listing. Any component bearing the UL mark for fire-rating cannot be supplied. (Reference items with (UL) symbol.)
- Machine screws are provided for steel reinforced doors. In addition, sex nuts and bolts provided for fire-rated devices and wood door fasteners are provided for wood door applications. It is recommended that sex nuts and bolts be used for all exit device applications. This will improve the performance and extend the life of the product.
- In order to simplify the ordering procedure and maintain regulatory compliance, parts are only available as listed.
- For various special applications, optional parts are shaded on parts lists and diagrams.
- Refer to the installation instructions for complete installation.
- Drawings of parts are not to scale.

How to Order Parts

To order parts, provide the appropriate quantity, part number, finish, hand (when required) and description as directed and illustrated below.

For example, to order ten front covers for an ED8200 Series Exit Device in 689 finish, use the following configuration:

| Quantity | Part Number | Finish | Hand | Description |
|----------|-------------|--------|------|-------------|
| 10 | 385F545 | 689 | | Front Cover |

How to Order Product Catalog

The ED8000 has a product catalog which can be requested from your local sales representative. Please request catalog #45075.

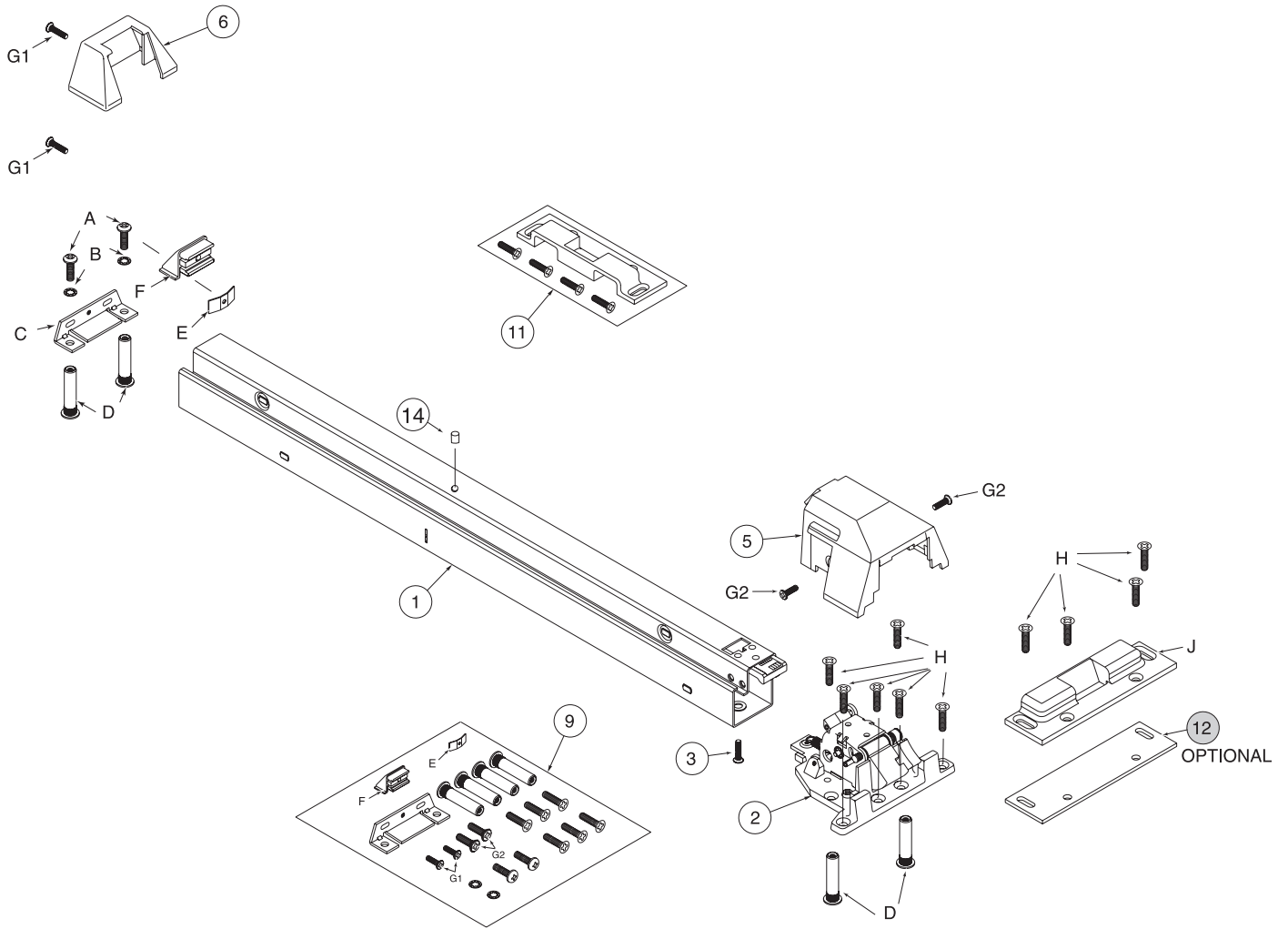
For assistance from Customer Support or Technical Product Support, contact:



Corbin Russwin Architectural Hardware
225 Episcopal Road, Berlin, CT 06037
Phone 800-543-3658 Fax 800-447-6714

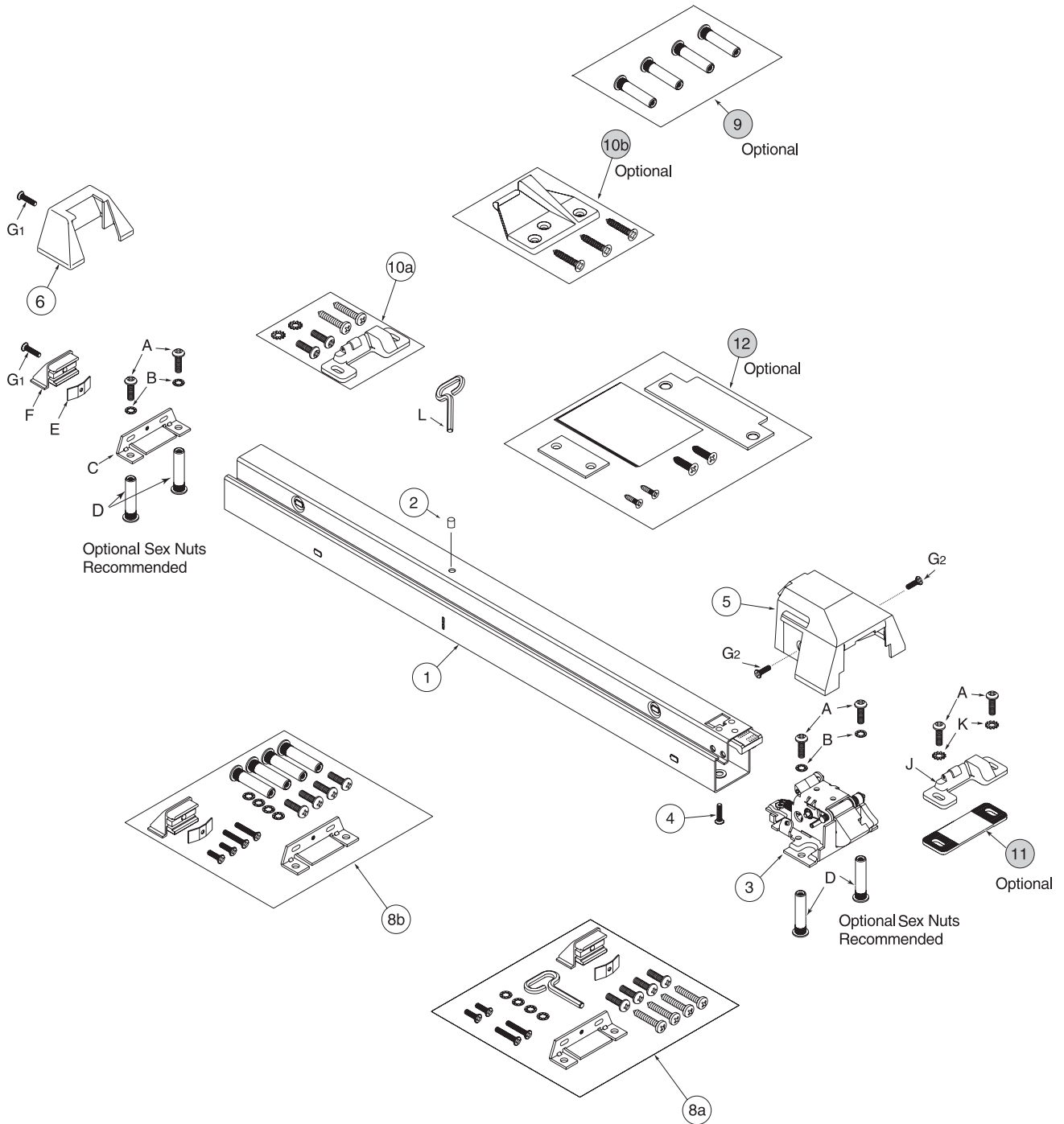
| ITEM | PART NO. | SPECIFY | DESCRIPTION |
|------|----------|---------|---|
| 1 | | | Bar SA |
| | 387F638 | FIN | for 30" door width |
| | 387F668 | FIN | for 36" door width |
| | 387F698 | FIN | for 42" door width |
| | 387F728 | FIN | for 48" door width |
| 2 | 552F416 | 622 | Latch Assembly |
| 3 | 436F858 | | Latch Assembly Screw |
| 5 | 564F115 | FIN | Front Cover |
| 6 | N/A | | Rear Cover |
| 9 | 564F128 | FIN | Screw Packet, containing: (A) 2 - #12 - 24 x 3/4" Screws, PHM-PH (B) 2 - Lock Washer (C) 1 - Rear Plate (D) 4 - Sex Nut (E) 1 - Bracket Insert (F) 1 - Front Bar Insert (G1)2 - Sem's Screw Assembly (G2)2 - Sem's Screw Assembly (H) 6 - #12-24 x 7/8" Screws, FHM-PH |
| 11 | 518F067 | 622 | Strike Packet; containing: (J) 1 - UL Strike (H) 4 - #12-24 x 7/8" screw, FHM-PH |
| 12 | 519F228 | 622 | Shim for Option M59 (Used on door with 1/2" stop) |
| 13 | 557F938 | FIN | Shim for Option M58 (Not Shown) |
| 14 | 650F299 | | Hole Plug |

Note: Packets may contain component parts required for a variety of applications

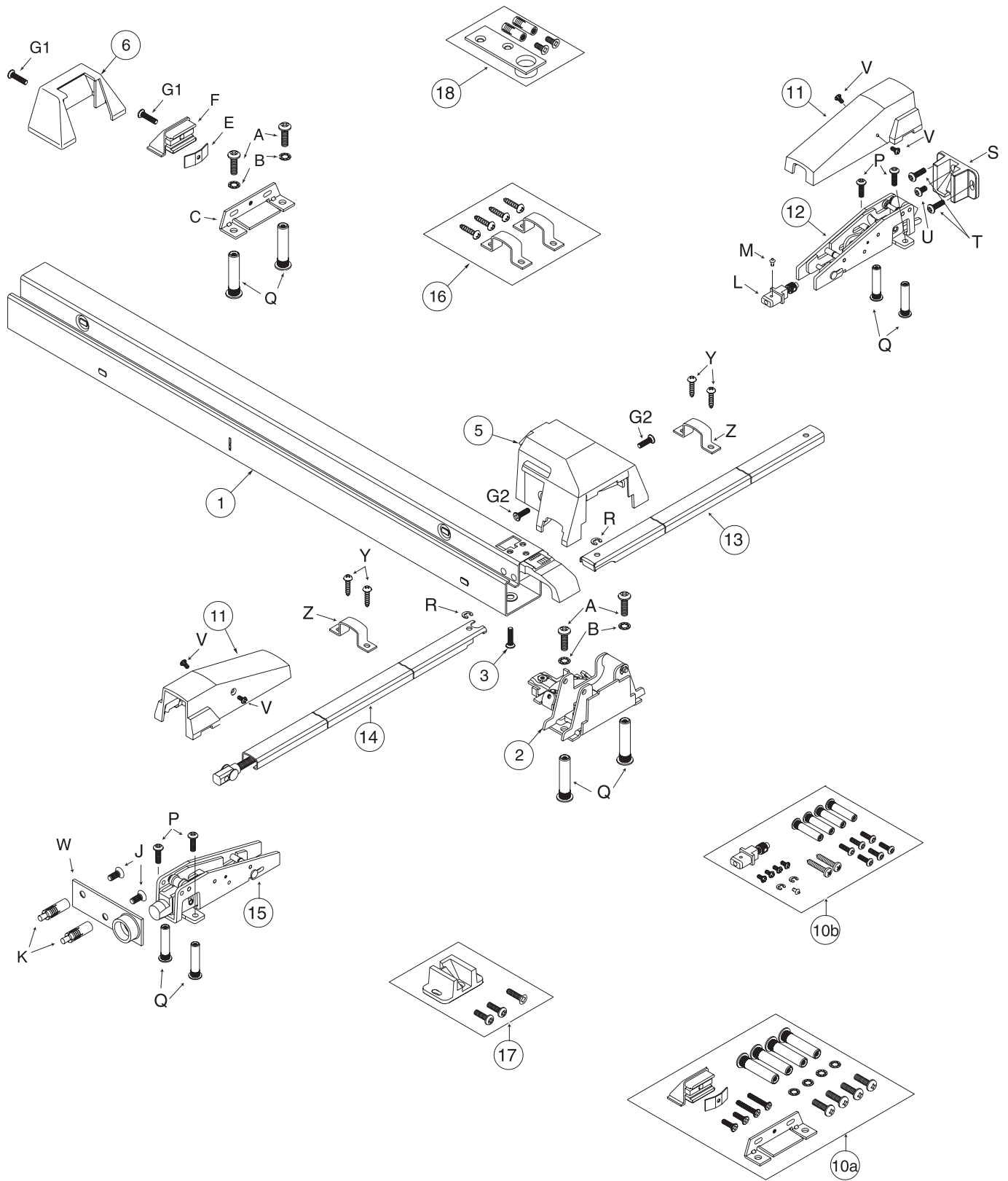


| ITEM | PART NO. | SPECIFY | DESCRIPTION |
|---------|----------|--------------------|--|
| 1 | | | Bar Sub Assembly |
| | 387F218 | FIN | for 30" door width |
| | 387F248 | FIN | for 36" door width |
| | 387F278 | FIN | for 42" door width |
| | 387F308 | FIN | for 48" door width |
| | | | Bar Sub Assembly - Less Dogging |
| | 387F638 | FIN | for 30" door width |
| | 387F668 | FIN | for 36" door width |
| | 387F698 | FIN | for 42" door width |
| 387F728 | FIN | for 48" door width | |
| 2 | 650F279 | | Hole Plug (Use on Less Dogging Bar SA) |
| 3 | 552F368 | 626 | Latch Assembly |
| 4 | 436F858 | | Latch Assembly Screw |
| 5 | 385F545 | FIN | Front Cover |
| 6 | 603F641 | FIN | Rear Cover |
| 8a | 449F828 | FIN | Screw Packet for Mounting Bar & Active Case; containing: (A) 4 - PHM-PH 12-24 x 3/4" 4 - PHT-A-PH 12 x 1 1/4" (Not Shown - For Wood Door Application) (B) 4 - Lock Washer (C) 1 - Rear Plate (E) 1 - Insert Bracket (F) 1 - Front Bar Insert (G1) 2 - FHM-PH 8-32 x 1" (G2) 2 - FHM-PH 8-32 x 1/2" (L) 1 - Wrench |
| 8b | 523F038 | FIN | Screw Packet for Mounting Bar & Active Case (ED8200B); containing: (A) 4 - PHM-PH 12-24 x 3/4" (B) 4 - Lock Washer (C) 1 - Rear Plate (D) 4 - Sex Nut (E) 1 - Insert Bracket (F) 1 - Front Bar Insert (G1) 2 - FHM-PH 8-32 x 1" (G2) 2 - FHM-PH 8-32 x 1/2" |
| 9 | 697F988 | FIN | Sex Nut Packet (for Option M54) |
| 10a | 386F453 | FIN | Strike Packet; containing: (A) 2 - #12-24 x 3/4" Phillips Pan Head Machine Screws (Metal Door) 2 - #12 x 1-1/4" Phillips Pan Head, Type A Tapping Screws (Wood Door) (J) 1 - Strike (K) 2 - #12 External Tooth Lock Washers |
| 10b | 468F305 | FIN | Strike Packet for Option S02 (Rim x vertical rod for pair of doors); containing: 1 - Strike for Pair of Doors 3 - #12 Phillips Flat Head Undercut Combination Screws |
| 11 | 391F575 | FIN | Shim for option M59 (used on door with 1/2" stop) |
| 12 | 468F628 | FIN | CECO Rim Pack |

Note: Packets may contain component parts required for a variety of applications.



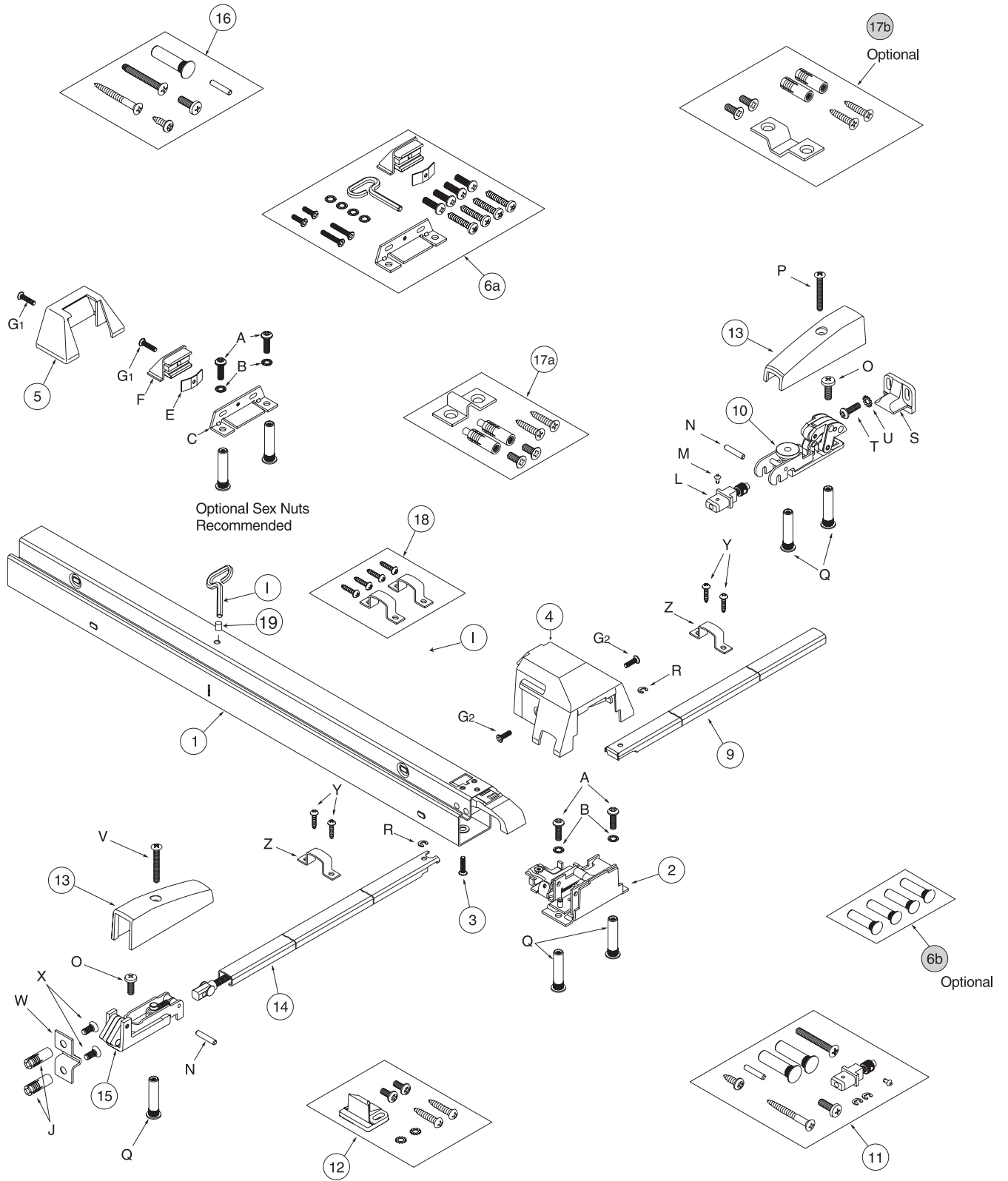
| ITEM | PART NO. | SPECIFY | DESCRIPTION |
|------|------------|---------|--|
| 1 | | | Bar SA |
| | 564F378 | FIN | for 30" door width |
| | 564F408 | FIN | for 36" door width |
| | 564F438 | FIN | for 42" door width |
| | 564F468 | FIN | for 48" door width |
| 2 | 552F468 | FIN | Frame Plate Assembly - RHR |
| | 552F478 | FIN | Frame Plate Assembly - LHR |
| 3 | 436F858 | | Frame Plate Assembly Screw |
| 5 | 564F345 | FIN | Front Cover |
| 6 | N/A | | Rear Cover |
| 10a | 523F038 | FIN | Screw Packet for Mounting Frame Plate Assy & Bar Assy, containing: (A) 4 - #12 - 24 x 3/4" Screws, PHM-PH (B) 4 - Lock Washer (C) 1 - Rear Plate (E) 1 - Bracket Insert (F) 1 - Front Bar Insert (G1) 2 - Sem's Ass'y Screw (G2) 2 - Sem's Ass'y Screw (Q) 4 - Sex Nut |
| 10b | 534F008 | FIN | Screw Packet for Top & Bottom Latches, containing: (L) 1 - Top Rod Connector Assembly (M) 1 - Drive Rivet (Q) 4 - Sex Nut (P) 4 - #12 - 24 x 3/4" Screws, PHM-PH (R) 2 - Retaining Ring (V) 4 - Sems Screw Assembly |
| 11 | 526F321 | FIN | Latch Cover |
| 12 | 525F998 | | Top Latch Assembly |
| 13 | 526L928759 | FIN | Top Rod Assembly |
| 14 | 526L518540 | FIN | Bottom Rod Assembly |
| 15 | 526F168 | | Bottom Latch Assembly |
| 16 | 446F208 | FIN | Rod Guide Packet, containing: (Y) 2 - #8 x 3/4" Screw, RHT-A-PH (Z) 1 - Rod Guide |
| 17 | 526F527 | 622 | Top Strike Packet, containing: (S) 1 - Top Strike (T) 2 - #12-24 x 3/4" Screw, PHM-PH (U) 1 - #12-24 x 7/8" Screw, FHM-PH |
| 18 | 526F533 | 622 | Bottom Strike Packet, containing: (J) 2 - 1/4-20 x 5/8" Screw, FHM-PH (K) 2 - Anchor (W) 1 - Bottom Strike |
| 19 | 557F958 | FIN | Shim for Option M58 (not shown) |



| ITEM | PART NO. | SPECIFY | DESCRIPTION |
|---------|------------|--------------------|--|
| 1 | | | Bar SA |
| | 436F418 | FIN | for 30" door width |
| | 436F428 | FIN | for 36" door width |
| | 436F438 | FIN | for 42" door width |
| | 436F448 | FIN | for 48" door width |
| | | | Bar SA - Less Dogging |
| | 564F888 | FIN | for 30" door width |
| | 564F898 | FIN | for 36" door width |
| | 564F908 | FIN | for 42" door width |
| 564F918 | FIN | for 48" door width | |
| 2 | | | Vertical Rod Frame Plate |
| | 552F598 | FIN | RHR |
| | 552F608 | FIN | LHR |
| 3 | 436F858 | | Frame Plate Assembly Screw |
| 4 | 436F065 | FIN | Front Cover |
| | 446F115 | FIN | RHR (M55 Option) |
| | 446F125 | FIN | LHR (M55 Option) |
| 5 | 603F641 | FIN | Rear Cover |
| 6a | 449F828 | FIN | Screw Packet for Mounting Bar & Active Case; containing: (A) 4 - #12-24 x 3/4" Phillips Pan Head Machine Screws (Metal Door) 4 - #12 x 1 1/4" Phillips Pan Head, Type A Tapping Screws (Wood Door) (B) 4 - #12 Internal Tooth Lock Washers (C) 1 - Rear Plate (E) 1 - Bracket Insert (F) 1 - Front Bar Insert (G1) 2 - Screws with Attached Washers (G2) 2 - Screws with Attached Washers (I) 1 - Dogging Key |
| 6b | 697F988 | FIN | Sex Nut Packet for Option (M54) Containing 4 Sex Nuts |
| 9 | | | Top Rod - 40 5/16" Pushbar Height |
| | 487L048697 | FIN | for Door 7'6" high |
| | 487M048589 | FIN | for Door 7'6" high to 10' high |
| 10 | 436F258 | | Top Latch |
| 11 | 484F208 | FIN | Top Latch Screw Packet Containing: (L) 1 - Rod Connector (M) 1 - Drive Rivet (N) 1 - Pin (O) 1 - 1/4 - 20 x 3/4" Phillips Binding Head Undercut Machine Screw (Metal Door) 1 - #14 x 3/4" Phillips Pan Head Wood Screw (Wood Door) (P) 1 - 1/4 - 20 x 1 7/8" Phillips Oval Head Machine Screw (Metal Door) 1 - #14 x 2 1/4" Phillips Oval Head Wood Screw (Wood Door) (Q) 2 - 1/4 - 20 Sex Nuts (R) 2 - E Rings |

(continued on Page 12)

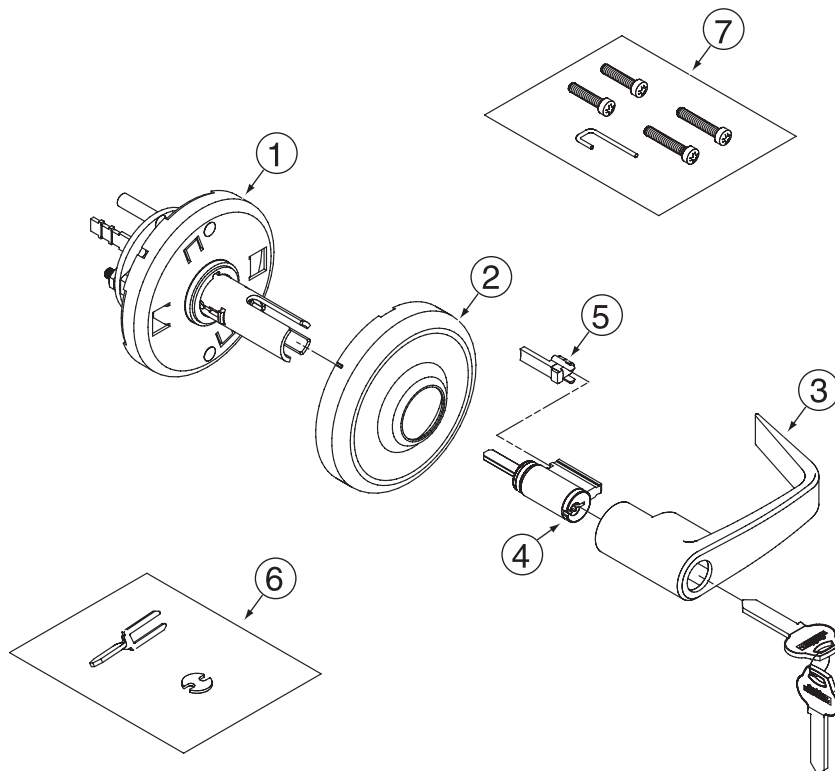
Note: Packets may contain component parts required for a variety of applications



| ITEM | PART NO. | SPECIFY | DESCRIPTION |
|------|------------|---------|--|
| 12 | 446F213 | FIN | Top Latch Strike Packet; containing: (S) 1 - Top Strike (T) 2 - #12 - 24 x 1/2" Phillips Pan Head Machine Screws (Metal Door) 2 - #12-24 x 1 1/4" Phillips Round Head Wood Screws (U) 2 - #12 External Tooth Washers |
| 13 | 446F231 | FIN | Latch Cover (Top or Bottom) |
| 14 | 436L328557 | FIN | Bottom Rod - 40 5/16" Pushbar Height for Door 7'6" high |
| 15 | 436F298 | | Bottom Latch Assembly |
| 16 | 484F218 | 625 | Bottom Latch Screw Packet; containing: (N) 1 - Pin (O) 1 - 1/4 - 20 x 3/4" Phillips Flat Head Machine Screws (Metal Door) 1 - #14 x 3/4" Phillips Pan Head Wood Screw (Wood Door) (V) 1 - 1/4 - 20 x 2" Phillips Flat Head Machine Screws (Metal Door) (V) 1 - 1/4 - 20 x 2" Phillips Oval Head Wood Screw (Wood Door) (Q) 1 - Sex Nut |
| 17a | 446F228 | 625 | Bottom Latch Strike Packet (J) 2 - Anchors (W) 1 - Bottom Strike for Surface Mounting (X) 2 - 1/4 - 20 x 5/8" Phillips Flat Head Machine Screws (Metal Door) 2 - #14 x 1 1/4" Phillips Flat Head Wood Screws (Wood Door) |
| 17b | 463F928 | FIN | Bottom Latch Strike Packet for Option S03 (Flush Mounting); containing: (J) 2 - Anchors 1 - Bottom Strike for Flush Mounting (X) 2 - 1/4 - 20 x 5/8" Phillips Flat Head Machine Screws (Metal Door) 2 - #14 x 1 1/4" Phillips Flat Head Wood Screws (Wood Door) |
| 18 | 446F208 | FIN | Rod Guide Packet; containing: (Y) 4 - #8 x 3/4" Phillips Round Head, Type A Tapping Screws (Z) 2 - Rod Guides |
| 19 | 650F299 | | Hole Plug |

Note: Packets may contain component parts required for a variety of applications

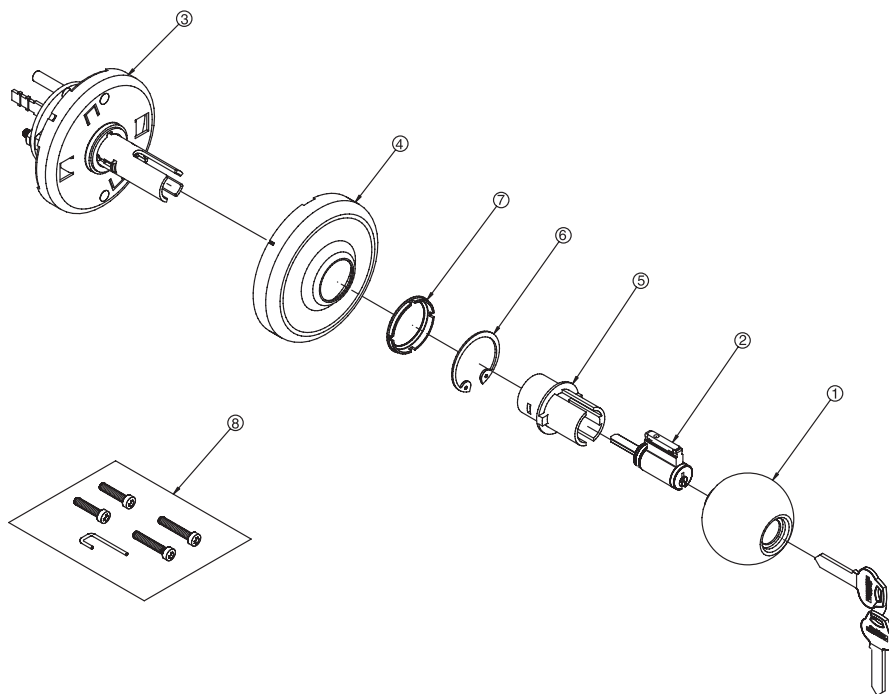
| ITEM | PART NO. | SPECIFY | DESCRIPTION |
|---------|--------------------|---------|---|
| 1 | | | Chassis Sub-Assembly - 1-3/4" to 2-1/4" Door |
| | 690F448 | | Dummy |
| | 698F438 | | Passage |
| | 698F448 | | Classroom |
| | 698F458 | | Nightlatch |
| | 698F468 | | Storeroom |
| | 698F518 | | Classroom - Recore |
| | 698F528 | | Nightlatch - Recore |
| | 698F538 | | Storeroom - Recore |
| | Optional | | |
| 696F248 | | | Dummy |
| 698F478 | | | Passage |
| 698F488 | | | Classroom |
| 698F498 | | | Nightlatch |
| 698F508 | | | Storeroom |
| 698F548 | | | Classroom - Recore |
| 698F558 | | | Nightlatch - Recore |
| 698F568 | | | Storeroom - Recore |
| 2 | | 698F25 | FIN |
| 3 | See Chart on Pg 19 | | Levers |
| 4 | See Chart on Pg 22 | | Cylinder Assembly |
| 5 | 585F729 | | Lever Insert |
| 6 | 682F918 | | Recore Driver Packet |
| 7 | 696F058 | | Mounting Packet, containing: 1 - Knob Release Tool 2 - #10-24 x 3/4" FRHM-PH 2 - #10-24 x 1" FRHM-PH |



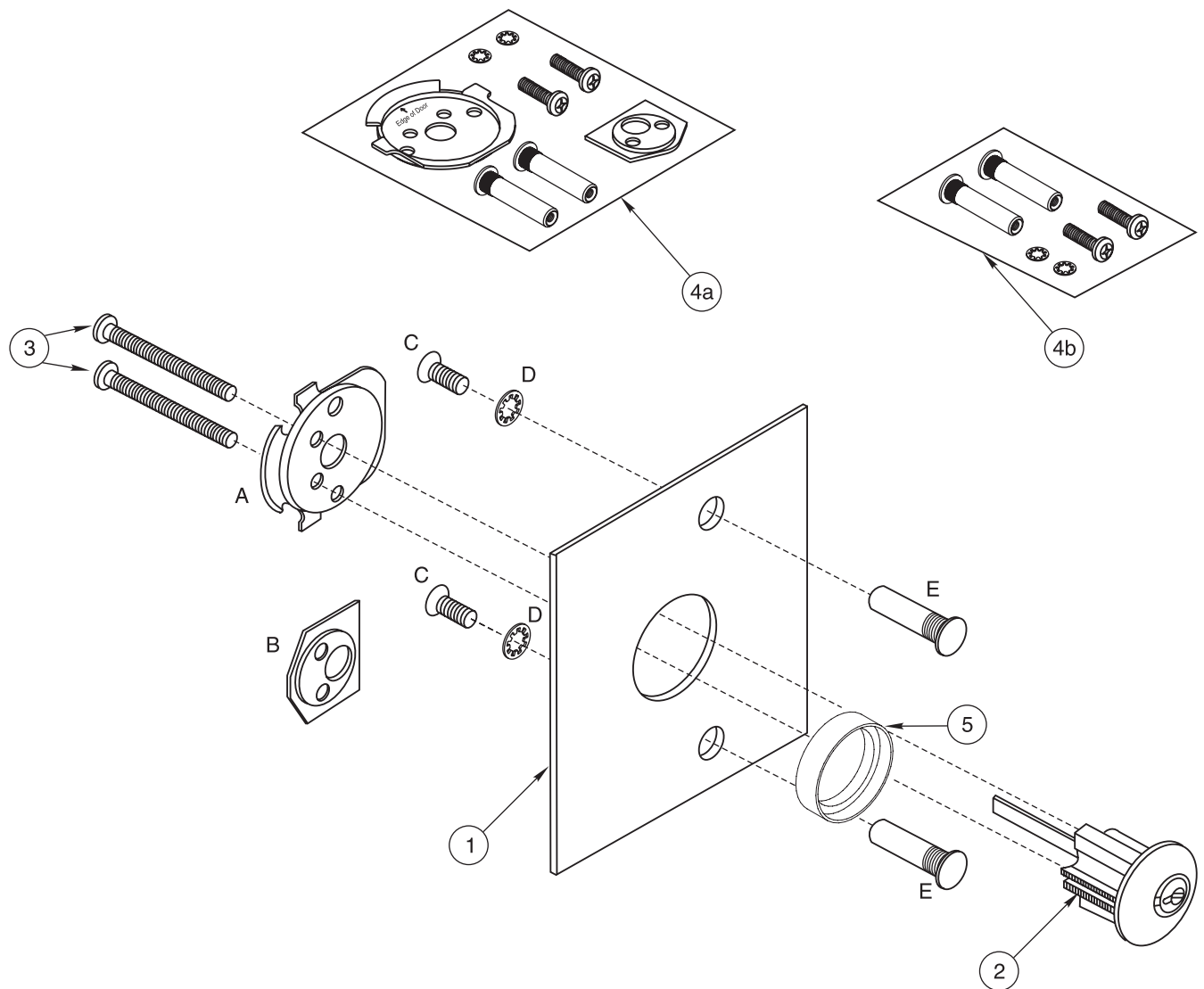
| ITEM | PART NO. | SPECIFY | DESCRIPTION |
|------|-----------|---------|---|
| 1 | 695F22M | FIN | Knob Assembly - Plain |
| | 695F23M | FIN | Knob Assembly - Cylinder |
| 2 | 2000-033H | FIN | Cylinder - L4 Keyway, 0-bitted unless otherwise specified (see catalog for cylinder options) |
| 3 | | | Chassis Assembly - 1 3/4" to 2 1/4" Door |
| | 690F408 | | G1010 |
| | 690F418 | | G1055 |
| | 690F448 | | G1050 |
| | 698F418 | | G1059 |
| | 698F458 | | G1057 |
| 4 | 678F25M | FIN | Rose |
| 5 | 690F485 | 622 | Knob Shank Adapter |
| 6 | 219F808 | | Retaining Ring |
| 7 | 493F999 | | Filler Cover |
| 8 | 696F058 | | Mounting Packet, containing: 1 - Knob Release Tool 2 - #10-24 x 3/4" FRHM-PH 2 - #10-24 x 1" FRHM-PH |

Options

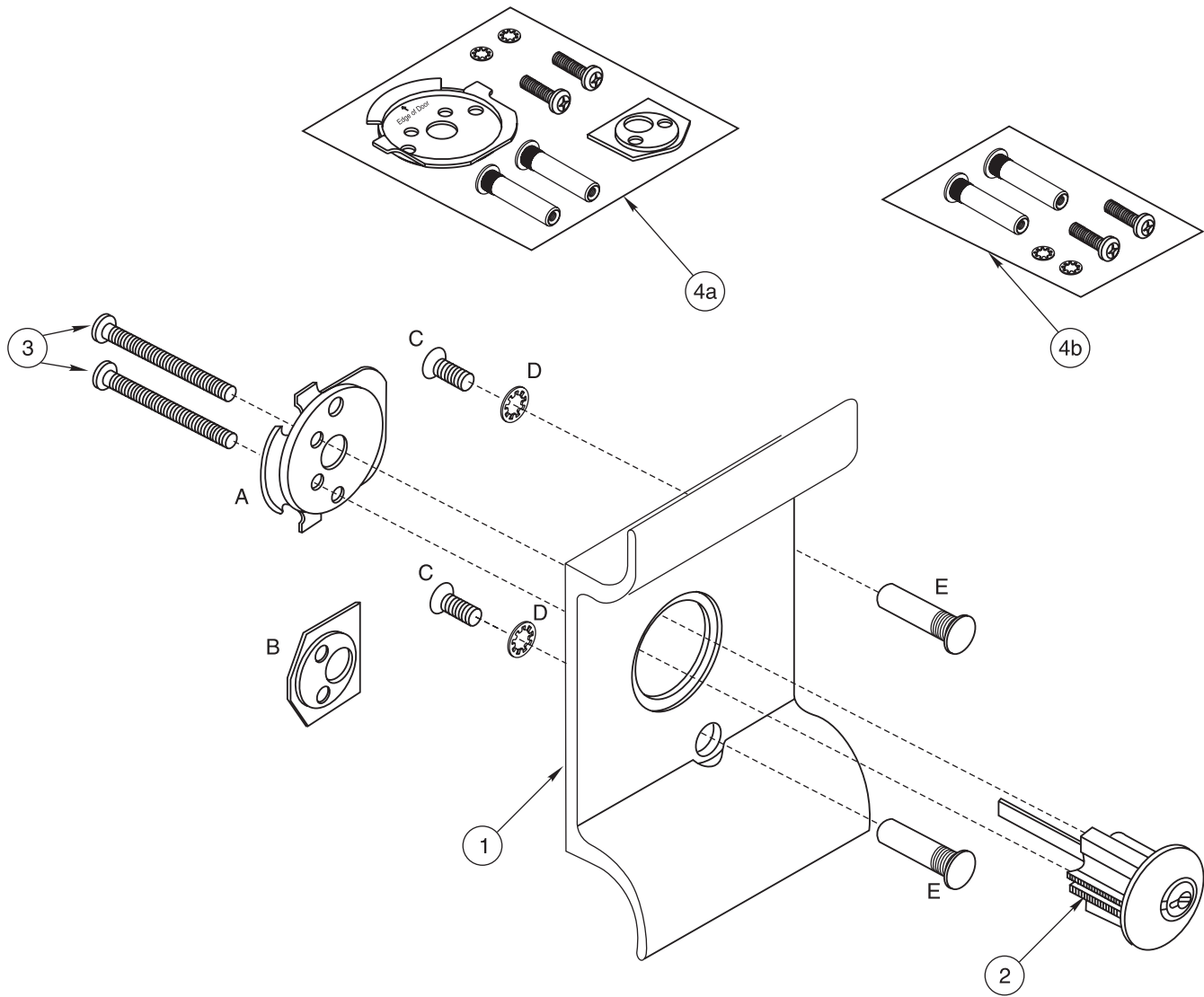
| ITEM | PART NO. | SPECIFY | DESCRIPTION |
|------|----------|---------|------------------------------------|
| 1 | 697F62M | FIN | Knob Assembly - Plain, Knurled |
| | 697F63M | FIN | Knob Assembly - Cylinder, Knurled |
| | 697F64M | FIN | Knob Assembly - Plain, Abrasive |
| | 697F65M | FIN | Knob Assembly - Cylinder, Abrasive |
| 3 | | | Chassis Assembly - 1 3/8" Door |
| | 696F208 | | G1010 |
| | 696F218 | | G1055 |
| | 696F248 | | G1050 |
| | 698F428 | | G1059 |
| | 698F498 | | G1057 |



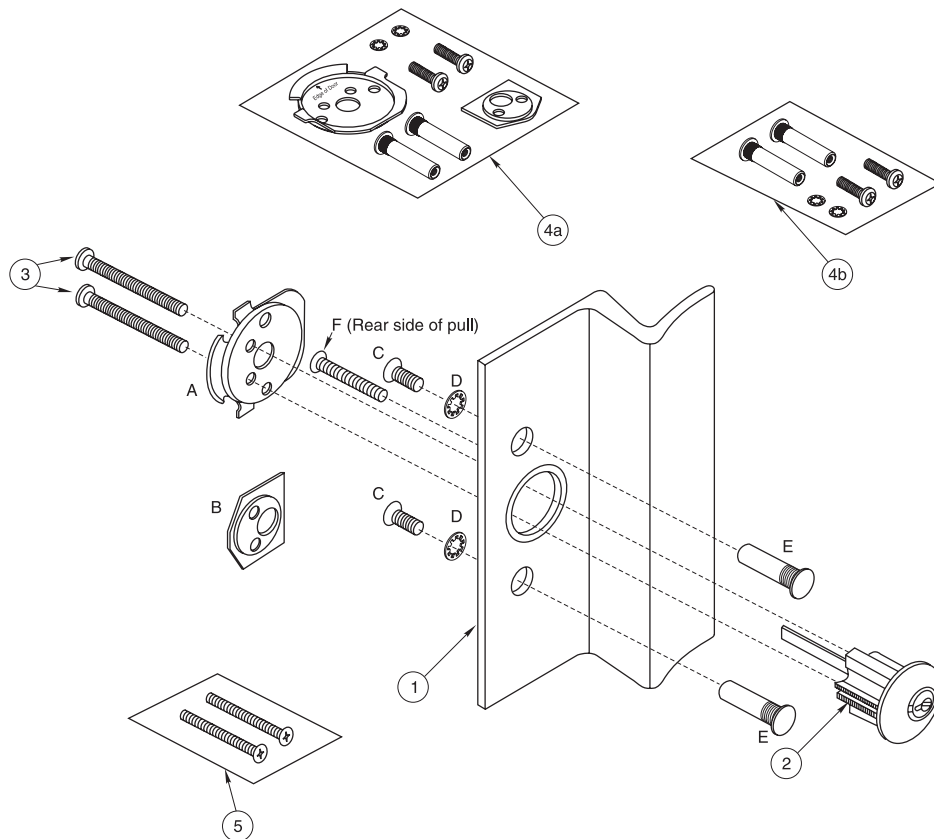
| ITEM | PART NO. | SPECIFY | DESCRIPTION |
|------|----------|---------|--|
| 1 | | | Plate for |
| | 436F828 | FIN | F150 (without cylinder hole) |
| | 436F838 | FIN | F157 (with cylinder hole) |
| 2 | 3000-200 | FIN | Cylinder - L4 Keyway, 0-bitted unless otherwise specified (see catalog for cylinder options) |
| 3 | 021F688 | | Cylinder Connecting Screw |
| 4a | 469F678 | FIN | Mounting Packet for F157; containing: (A) 1 - Back Plate for door with 2 1/8" prep (B) 1 - Back Plate for unprepped door (C) 2 - #12-24 x 3/4" Phillips Pan Head Machine Screws (D) 2 - #12 Internal Tooth Lock Washers (E) 2 - #12-24 Sex Nuts |
| 4b | 469F688 | FIN | Mounting Packet for F150; containing: (C) 2 - #12-24 x 3/4" Phillips Pan Head Machine Screws (D) 2 - #12 Internal Tooth Lock Washers (E) 2 - #12-24 Sex Nuts |
| 5 | 173F432 | FIN | Cylinder Collar |



| ITEM | PART NO. | SPECIFY | DESCRIPTION |
|------|----------|---------|--|
| 1 | | | Pull for |
| | 436F801 | FIN | P850 (without cylinder hole) |
| | 436F811 | FIN | P857 (with cylinder hole) |
| 2 | 3000-200 | FIN | Cylinder - L4 Keyway, 0-bitted unless otherwise specified (see catalog for cylinder options) |
| 3 | 021F688 | | Cylinder Connecting Screw |
| 4a | 469F678 | FIN | Mounting Packet for P857; containing: (A) 1 - Back Plate for door with 2 1/8" prep (B) 1 - Back Plate for unprepped door (C) 2 - #12-24 x 3/4" Phillips Pan Head Machine Screws (D) 2 - #12 Internal Tooth Lock Washers (E) 2 - #12-24 Sex Nuts |
| 4b | 469F688 | FIN | Mounting Packet for P850; containing: (C) 2 - #12-24 x 3/4" Phillips Pan Head Machine Screw (D) 2 - #12 Internal Tooth Lock Washers (E) 2 - #12-24 Sex Nuts |

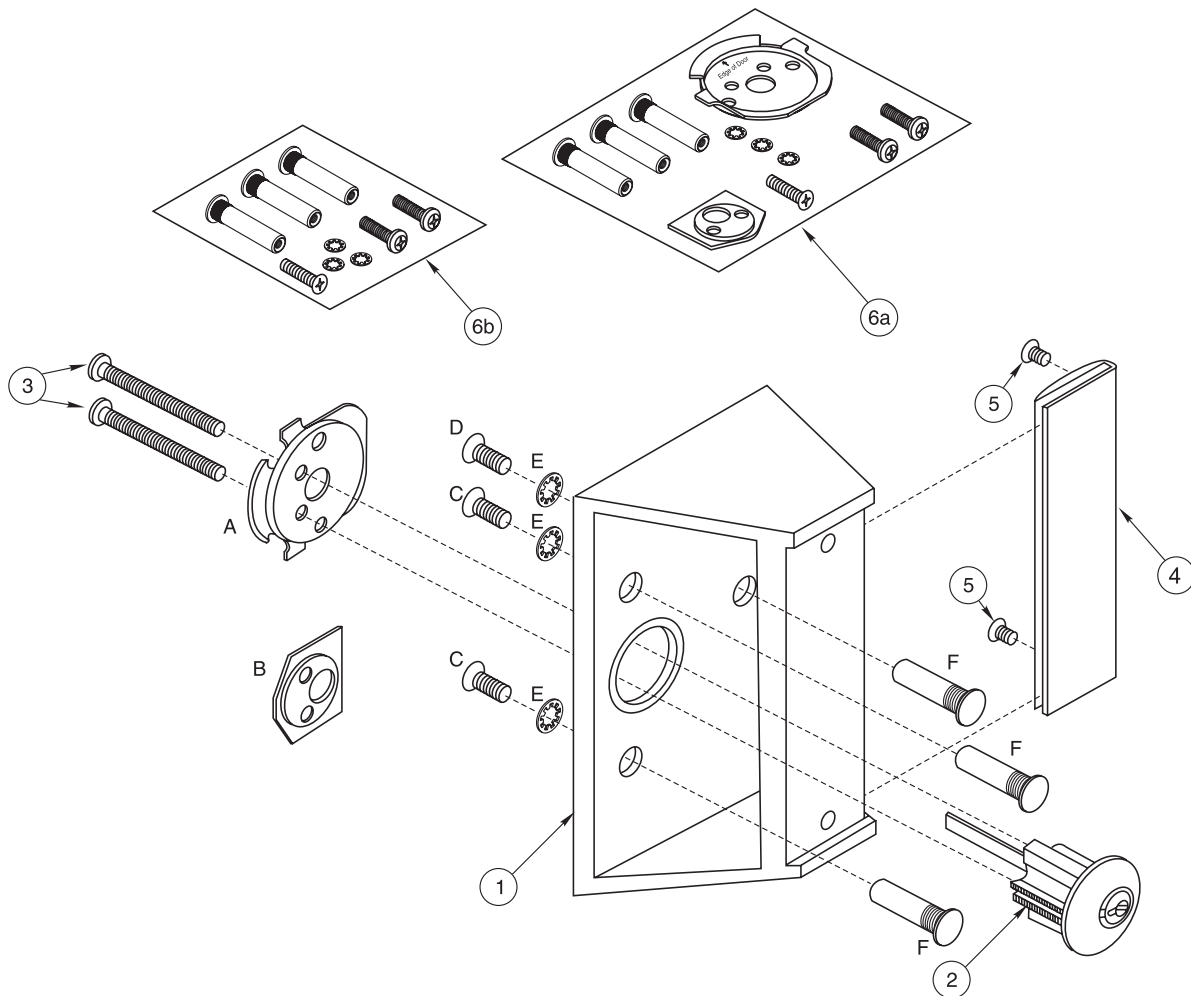


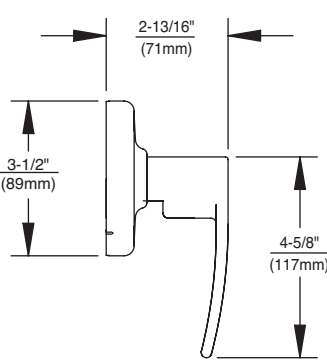
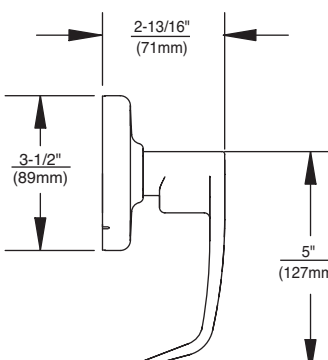
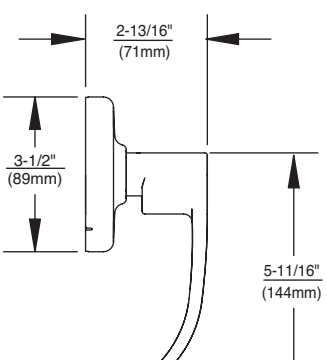
| ITEM | PART NO. | SPECIFY | DESCRIPTION |
|------|----------|---------|---|
| 1 | | | Offset Pull; containing: |
| | 492F201 | FIN | Without Cylinder Hole |
| | 492F211 | FIN | With Cylinder Hole |
| 2 | 3000-200 | FIN | Cylinder - L4 Keyway, 0-Bitted Unless Otherwise Specified (Specify Keyway and Keying. See Catalog for Cylinder Options) |
| 3 | 021F688 | | Cylinder Connecting Screw |
| 4a | 469F678 | FIN | Mounting Packet for P157; containing: (A) 1 - Back Plate for Door with 2-1/8" Prep (B) 1 - Back Plate for Unprepped Door (C) 2 - #12-24 x 3/4" Philips Pan Head Machine Screws (D) 2 - #12 Internal Tooth Lock Washers (E) 2 - #12-24 Sex Nuts |
| 4b | 469F688 | FIN | Mounting Packet for P150; containing: (C) 2 - #12-24 x 3/4" Philips Pan Head Machine Screws (D) 2 - #12 Internal Tooth Lock Washers (E) 2 - #12-24 Sex Nuts |
| 5 | 492F598 | | Rear Side Screw Packet for Offset Pull; containing: (F) 1 - #12-24 x 2-1/4" Philips Flat Head Machine Screw for 1-3/4" - 2" Door Thickness 1 - #12-24 x 2-1/2" Philips Flat Head Machine Screw for 2-1/4" Door Thickness |



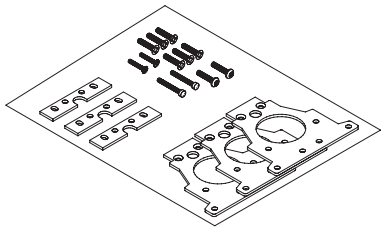
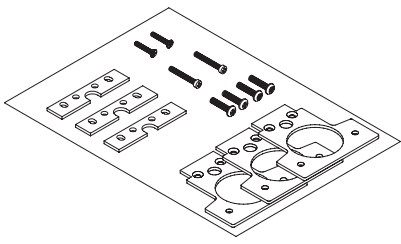
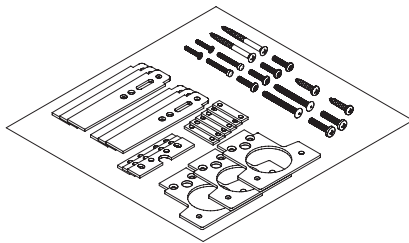
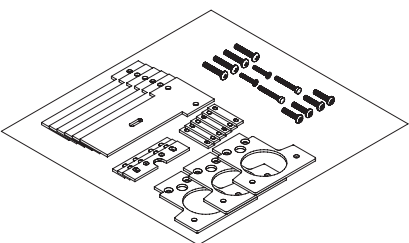
| ITEM | PART NO. | SPECIFY | DESCRIPTION |
|------|----------|---------|--|
| 1 | | | Pull Base |
| | 602F171 | FIN | with cylinder hole |
| | 602F181 | FIN | without cylinder hole |
| 2 | 3000-200 | FIN | Cylinder - L4 Keyway, 0-bitted unless otherwise specified (Specify keyway and keying. See catalog for cylinder options) |
| 3 | 021F688 | | Cylinder Connecting Screw |
| 4 | 602F151 | 622 | Pull Grip |
| 5 | 606F098 | 622 | #10 - 24 x 5/8" Phillips Pan Head Machine Screw |
| 6a | 496F688 | FIN | Screw Packet for mounting P257; containing: (A) 1 - Back Plate for door with 2-1/8" prep (B) 1 - Back Plate for unprepped door (C) 2 - #12-24 x 3/4" Phillips Pan Head Machine Screws (D) 1 - #12-24 x 3/4" Phillips Flat Head Machine Screw (E) 3 - #12 Internal Tooth Lock Washers (F) 3 - #12-24 Sex Nuts |
| 6b | 496F698 | FIN | Screw Packet for mounting P250; containing: (C) 2 - #12-24 x 3/4" Phillips Pan Head Machine Screws (D) 1 - #12-24 x 3/4" Phillips Flat Head Machine Screw (E) 3 - #12 Internal Tooth Lock Washers (F) 3 - #12-24 Sex Nuts |

Note: Packets may contain component parts required for a variety of applications



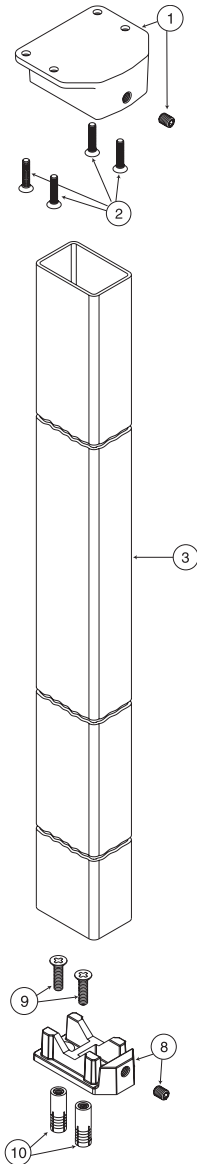
| | | |
|--|--|---|
| <p>Armstrong A6</p> <p>Lever: Die cast zinc Rose: Wrought brass or bronze</p>  | <p>Newport N6</p> <p>Lever: Die cast zinc Rose: Wrought brass or bronze</p>  | <p>Princeton PR6</p> <p>Lever: Die cast zinc Rose: Wrought brass or bronze</p>  |
|--|--|---|

| | AZD | NZD | PZD |
|--|---------|---------|---------|
| Levers, Standard 1-3/8" to 2-1/4" doors | | | |
| Cylinder or button | 563F895 | 563F955 | 685F515 |
| Plain | 563F885 | 563F945 | 685F505 |
| Sargent® cylinder cutout | N/A | 578F435 | 685F305 |
| Levers, IC, 1-3/8" to 2-1/4" doors | | | |
| IC core 6-pin | 585F705 | 585F715 | 685F535 |
| IC core 7-pin | 600F425 | 600F415 | 685F545 |
| Best® cylinder cutout | N/A | 596F825 | 685F555 |
| Schlage® cylinder cutout | N/A | 690F975 | 691F035 |

| | PART NO. | SPECIFY | DESCRIPTION |
|---|----------|--------------|---|
|  | 557F928 | 622 fin only | Shim Kit for ED8200 and ED8200B Rim Devices; containing: 3 - Front Plate Shims 3 - Rear Bar Shims 2 - Screws with attached washers 2 - #10-24 x 1-3/8" Phil. Fillister Head Mach. Screws 2 - #12-24 x 1" Phil. Pan Head Mach. Screws 2 - #12-24 x 1-1/4" Phil. Pan Head Mach. Screws |
|  | 557F938 | 622 fin only | Shim Kit for ED8200A Series UL Rim Devices; containing: 3 - UL Rim Front Plate Shims 3 - Rear Bar Shims 2 - Screws with attached washers 2 - #10-24 x 1-3/8" Phil. Fillister Head Mach. Screws 2 - #12-24 x 1-1/4" Phil. Pan Head Mach. Screws 6 - #12-24 x 1" Phil. Flat Head Mach. Screws |
|  | 557F948 | 622 fin only | Shim Kit for ED8400 Series Vertical Rod Devices; containing: 3 - Front Plate Shims 3 - Rear Bar Shims 6 - Latch Shims 6 - Rod Guide Shims 2 - Screws with attached washers 2 - #10-24 x 1-3/8" Phil. Fillister Head Mach. Screws 2 - #12-24 x 1" Phil. Pan Head Mach. Screws 2 - #14 x 2-3/4" Phil. Oval Head Wood Screws 2 - 1/4-20 x 2-1/4" Phil. Oval Head Type Tapping Screws 2 - 1/4-20 x 1-1/4" Phil. Button Head Undercut Mach. Screws 2 - #14 x 1-1/4" Phil. Button Head Undercut Mach. Screws 2 - #12-24 x 1-1/4" Phil. Pan Head Mach. Screw |
|  | 557F958 | 622 fin only | Shim Kit for ED8400A Series UL Vertical Rod Devices; containing: 3 - Front Plate Shims 3 - Rear Bar Shims 6 - UL Latch Shims 6 - Rod Guide Shims 2 - Screws with attached washers 2 - #10-24 x 1-3/8" Phil. Fillister Head Mach. Screws 2 - #12-24 x 1" Phil. Pan Head Mach. Screws 6 - #12-24 x 1-1/4" Phil. Pan Head Mach. Screws |

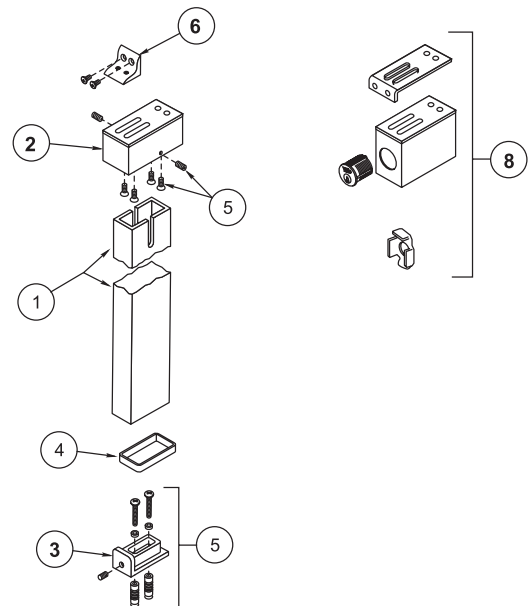
507, 508 & 510 Mullions

| ITEM | PART NO | SPECIFY | DESCRIPTION |
|------|----------|---------|--|
| 1 | 409F836 | 600 | 1 - Top Plate with Set Screw |
| 2 | 220F82 7 | | 4 - Top Plate Mounting Screw 1/4-20" x 1" FHM-PH |
| 3 | 405F458 | 600 | 1 - Mullion up to 7-1/2' Door |
| | 464F028 | 600 | 1 - Mullion up to 8' Door |
| | 606F058 | 600 | 1 - Mullion up to 10' Door |
| 8 | 405F49 6 | 600 | 1 - Bottom Plate with Set Screw |
| 9 | 405F31 8 | | 2 - Floor Anchor Screw 3/8-16" x 1" FHM-PH |
| 10 | 405F42 8 | | 2 - Floor Anchor |

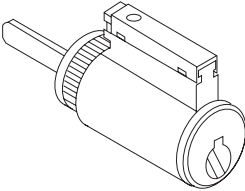
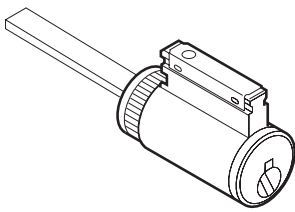
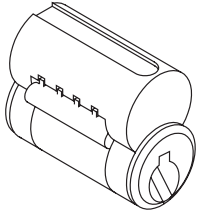
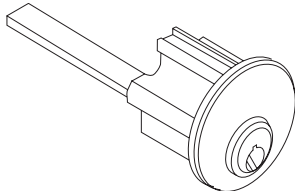


707A, 708A, 710 Mullions & KM Option

| ITEM | PART NO | DESCRIPTION |
|------|----------|---|
| 1 | | Mullion only |
| | 655F50-8 | 7' for 707A |
| | 655F51-8 | 8' for 708A |
| | 655F52-8 | 10" for 710 |
| 2 | 655F60-8 | Upper Mounting Bracket |
| 3 | 655F61-8 | Lower Mounting Bracket |
| 4 | 655F62-8 | Anchor Pad |
| 5 | 655F65-8 | Screw Pack contains: Screw # 12-24 x 3/4" FHM-PH (4) Set Screw 5/16 - 18 x 3/8" (1) Set Screw, Half Dog (2) 5/16 - 18 x 5/8" Screw 1/4 - 20 x 3/4" RHM-PH (2) Lock Washer 1/4" (2) Masonry Anchor 1/4 - 20 (2) |
| 6 | 655F63-8 | Angle Bracket Packet (optional) contains: Angle Bracket (1) Screw # 12-24 x 7/16" OHM-PH (2) |
| 7 | 653F11-1 | Stabilizer Kit (optional) contains: Stabilizer Brackets (2) Stabilizers (2) Stabilizer Spacers (4) Screw #10-24 x 3/4" FHM-PH (4) Screw #10-24 x 1" FHM-PH (4) |
| | 655F18-8 | Parts Packet contains: Items 2, 3, 4, and 5 |
| 8 | 685F20-8 | Keyed Removable Mullion Retro-Fit Kit (cylinder not included unless specified) |



L4 keyway standard. To order with Exit Device, see How to Order, page 17.
 To order separately, specify Part No. x Keyway x Finish (e.g., 2000-033-7 x L4 x 626).

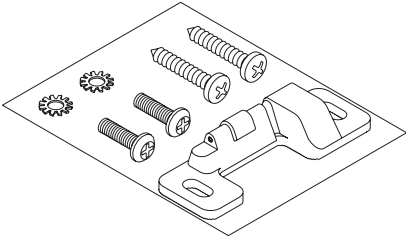
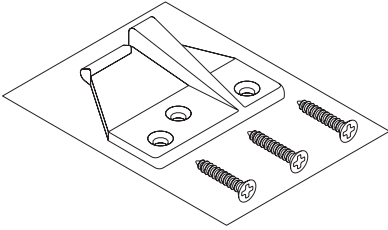
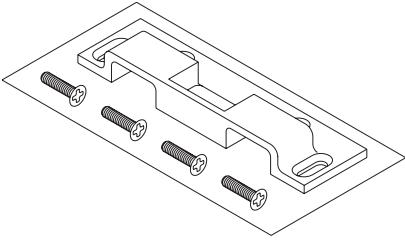
| | Cylinder Type | Part No. | Description |
|--|--|---|--|
|   | Key-in-Lever for A6, N6 and PR6 trim | 2000-033 2000-033-7 2010-033 2020-033 | 6-pin 7-pin 6-pin, Security 7-pin, Pyramid |
| | Key-in-Knob for G10 trim | 2000-033H | 6-pin |
|  | Interchangeable Core Optional for A6, N6, PR6 trim | 8000 8000-7 8010 8020 | 6-pin 7-pin 6-pin, Security 7-pin, Pyramid |
|  | Rim for all other trim | 3000-200 3000-138 3000-200-7 3010-200 3080-178 3070-178 3070-178-7 3080-178-7 3090-178 3070-114/3080-114 3070-114 3080-114-7 3070-114-7 | 6-pin 6-pin, horizontal tailpiece for exit alarm supplied when M61 or M62 is ordered 7-pin, horizontal tailpiece 6-pin, horizontal tailpiece, Security 6-pin, interchangeable core (IC) 6-pin, IC less core 7-pin, IC less core 7-pin, IC 6-pin, Security IC 6-pin, IC for exit alarm supplied when M61 or M62 is ordered 6-pin, IC less core for M61 or M62 7-pin, IC for M61 or M62 7-pin, IC less core for M61 or M62 |

Compatibility with Competitive Cylinders (N6 and PR6 trims only)

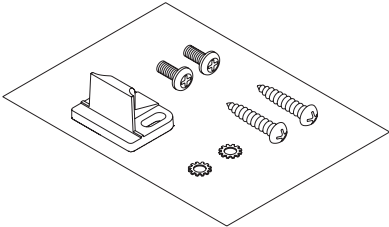
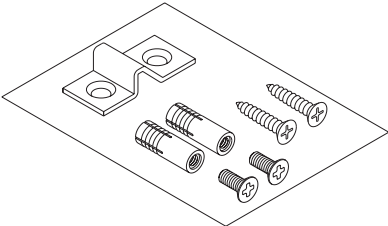
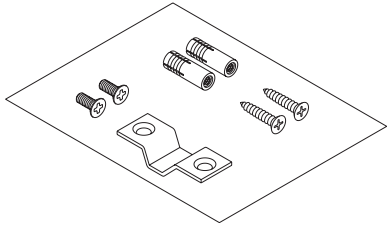
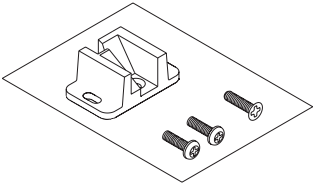
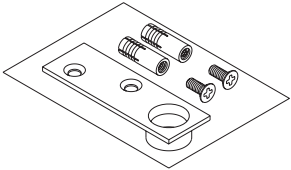
| Competitive Cylinder | Complete Trim | Parts for Field Conversion |
|---|---------------|--|
| Schlage conventional 21-002, 23-001 or 23-013 | Specify M06 | 682F39-8 Tailpiece |
| Schlage Primus 20-548, 20-550, 20-748 or 20-750 | Specify M06 | 682F39-8 Tailpiece |
| Best style core, 6 or 7-pin | Specify M08 | Field Conversion Not Practical |
| Sargent 13-3266 | Specify M09 | 682F96-9 Tailpiece kit and Special Lever |
| Schlage IC Core | Specify M69 | 697F94-2 Tailpiece |

For Assa and Medeco retrofit cylinders, consult those manufacturers' catalogs.

Rim Devices

| | | |
|--|---|---|
|  <p>386F45 Standard Strike - ED8200</p> |  <p>468F30 S02 Optional Strike - ED8200</p> |  <p>518F06 Standard Strike - ED8200A</p> |
|--|---|---|

Vertical Rod Devices

| | | |
|---|--|--|
|  <p>446F21 Standard Top Strike ED8400</p> |  <p>446F22 Standard Bottom Strike ED8400</p> |  <p>463F92 S03 Bottom Latch Strike ED8400</p> |
|  <p>526F52 Standard Top Strike ED8400A</p> |  <p>526F53 Standard Bottom Strike ED8400A</p> | |

ASSA ABLOY is the global leader in door opening solutions, dedicated to satisfying end-user needs for security, safety and convenience



ASSA ABLOY

In U.S.

Corbin Russwin
Architectural Hardware
225 Episcopal Road
Berlin, CT 06037
Phone: 800-543-3658
Fax: 800-447-6714
corbinruswin.com

In Canada

ASSA ABLOY Door
Security Solutions Canada
160 Four Valley Drive
Vaughan, Ontario
Canada L4K 4T9
Phone: 800-461-3007
Fax: 800-461-8989
www.assaabloydss.ca

For more information regarding Corbin Russwin Locksets, Exit Devices, Door Controls and Key Systems, contact your authorized Corbin Russwin Distributor or Sales Representative.