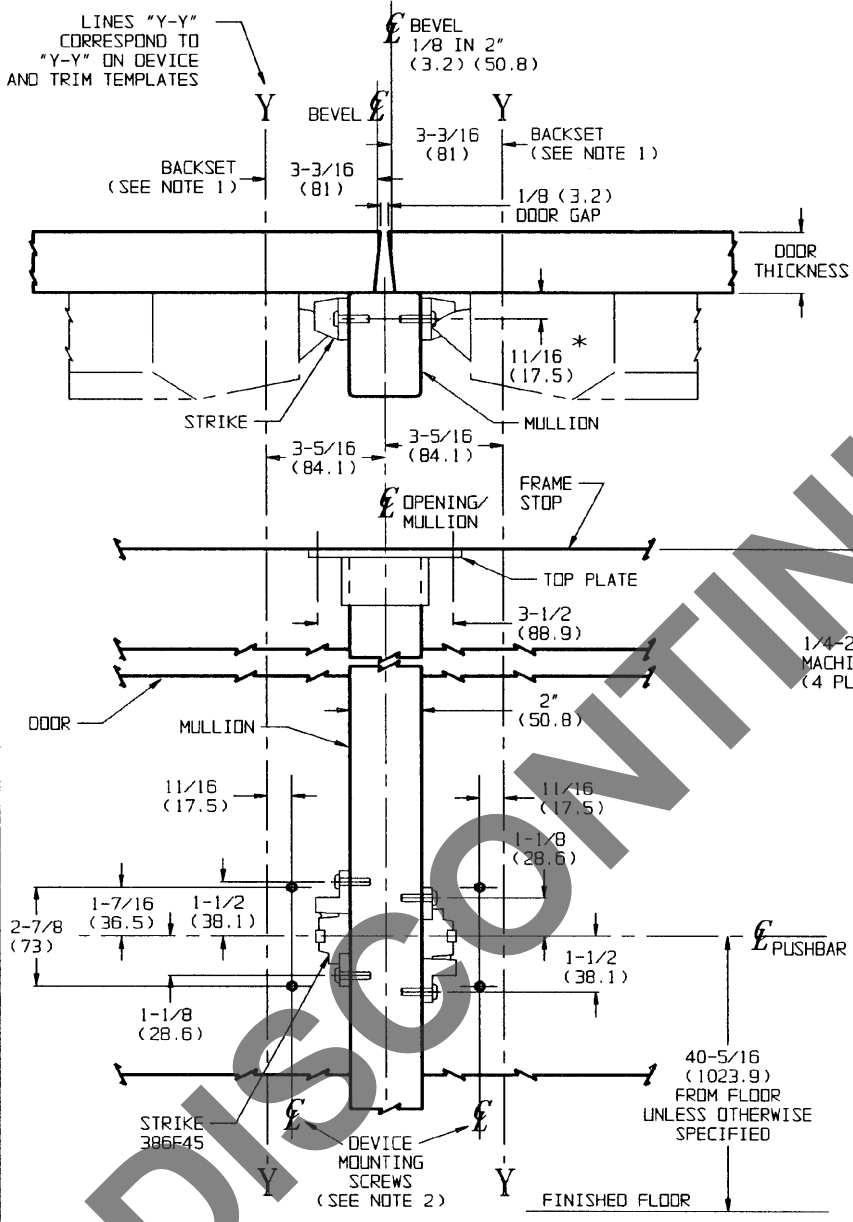


DOUBLE DOOR APPLICATIONS ONLY

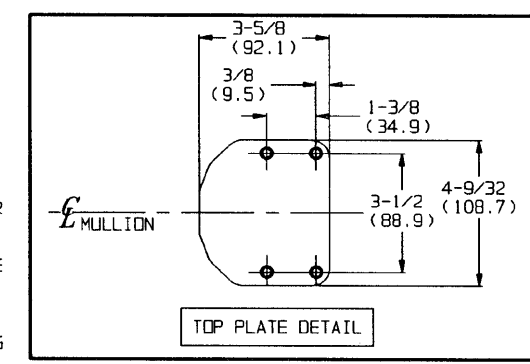
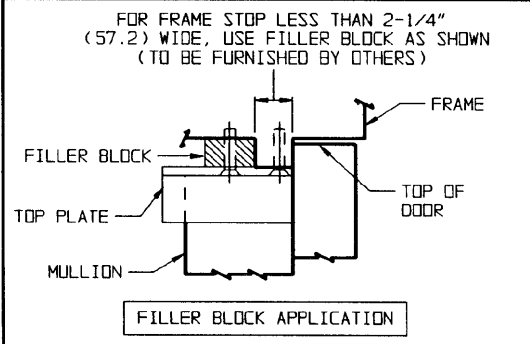
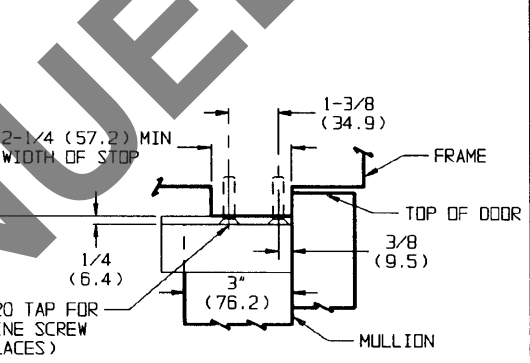


②

TEMPLATE CROSS REFERENCE (FOR SINGLE DOOR APPLICATIONS)	
DESCRIPTION	TEMPLATE
ED8200 & ED8200B SERIES RIM DEVICE	T30436
ED8200 & ED8200B x M61 & M62	T30491
ED9200 & ED9200B SERIES RIM DEVICE	T30441
ED9200 & ED9200B x M61 & M62	T30490

②

RECOMMENDED MINIMUM STILE	
STILE	DESCRIPTION
5-1/2 (139.7)	ED8200, ED8200B
5-3/4 (146.1)	ED8200 & ED8200B x M61 & M62 ED9200, ED9200B ED9200 & ED9200B x M61 & M62



- NOTES:
- BACKSET IS MEASURED FROM CENTERLINE OF BEVEL WHICH IS CENTERPOINT OF DOOR THICKNESS.
 - FOR OTHER DEVICE AND STRIKE MOUNTING SPECIFICATIONS, REFER TO APPROPRIATE SINGLE DOOR APPLICATION TEMPLATE.
 - [CAUTION:]** WHEN GLASS BEAD SHIMS ARE USED TO RAISE DEVICE OFF SURFACE OF DOOR, REFER TO GLASS BEAD SHIM TEMPLATE T30494 FOR PROPER STRIKE MOUNTING DIMENSIONS.
 - FOR PREPARATION OF TRIM, REFER TO SEPARATE TEMPLATE.
 - DIMENSIONS GIVEN IN INCHES AND (MM).
- ②

RESPONSIBILITY

Door and Frame Manufacturers are responsible for providing adequate construction or reinforcements for proper installation of hardware shown. All architectural builders hardware must be installed on properly reinforced doors and frames, regardless of the type, material, or method of construction.

ED8200, ED8200B SERIES
ED9200, ED9200B SERIES
INCLUDING M61 & M62
OPTIONS BY 508 MULLION

PUSHBAR RIM EXIT DEVICE

Corbin Russwin
www.corbinrusswin.com

DO NOT SCALE DRAWING

SUPERSEDES T30427-1 DR. BTH

DATE 04/05/93 TEMPLATE NUMBER T30427-2